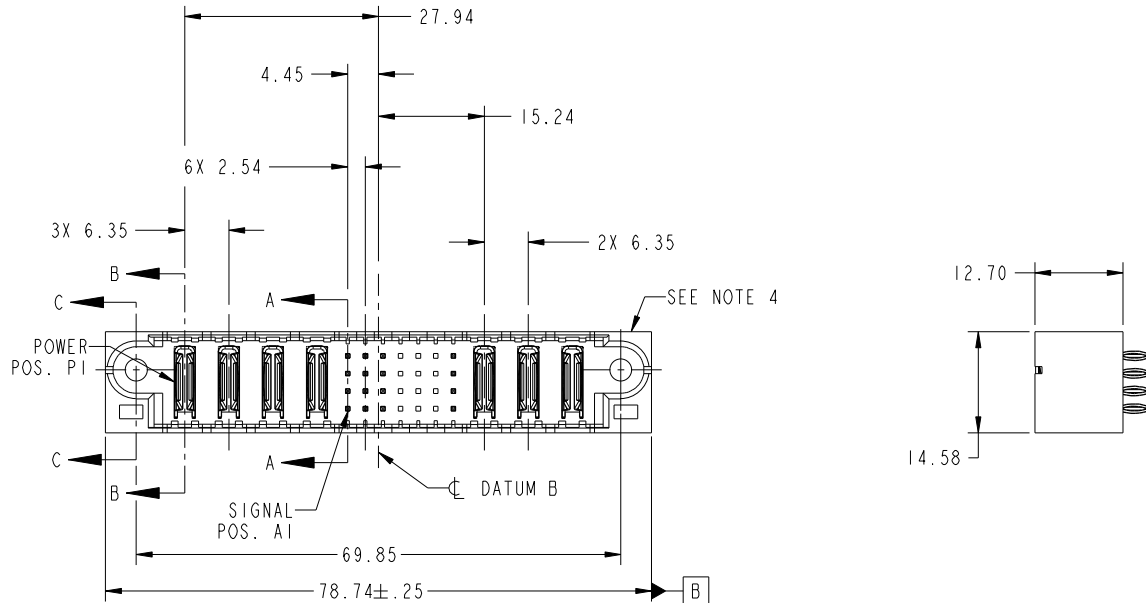


Tous droits strictement reserves. Reproduction ou communication a des tiers interdite sous quelque forme que ce soit sans autorisation écrite du propriétaire. Propriete de c FCI. Droits de reproduction FCI.



All rights strictly reserved. Reproduction or issue to third parties in any form whatever is not permitted without written authority from the proprietor. Property of FCI. Copyright FCI.

PRODUCT NO.	ROWS	POWER				SIGNAL							POWER			E2	
		E1	P1	P2	P3	P4	1	2	3	4	5	6	7	P5	P6		P7
51710-021... NOTE: 3	D C B A																



CODE	DIM "M" MATING LENGTH	CONTACT TYPE
PC	[N/A]	POWER
K	[5.59]	SIGNAL
G	[6.86]	SIGNAL
X	OMITTED	OMITTED

mat'l code				SEE NOTE		tolerances unless otherwise specified		CUSTOMER		 www.fciconnect.com	
ltr	ecn no.	dr	date	linear	0.X ± 0.5	projection		COPY		title	
A	DG06-0040	RYAN	02/09/06		0.XX ± 0.25					4P + 28S + 3P VERTICAL PF HEADER	
B	DG07-0357	JULIA	09/10/07	angles	0.XXX ± 0.10					product family PwrBlade code 213	
C	DG08-0273	JW	12/05/08		0° ± 2°	scale		size		dwg no 51710-021 sheet 1 of 4	
				dr	RYAN YUAN 02/13/06	1:1		A			
				enr	STEVEN WANG 02/13/06						
				chr	BEER FU 02/13/06						
				appd	JOSEPH HSIA 02/13/06						
sheet index	revision sheet	C	C	C	C						
		1	2	3	4						

cage code 22526

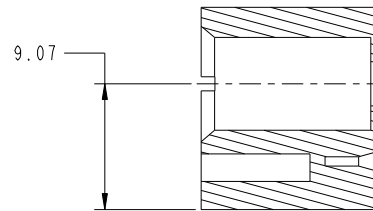
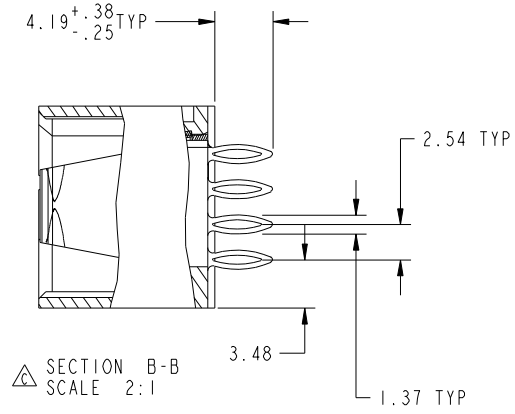
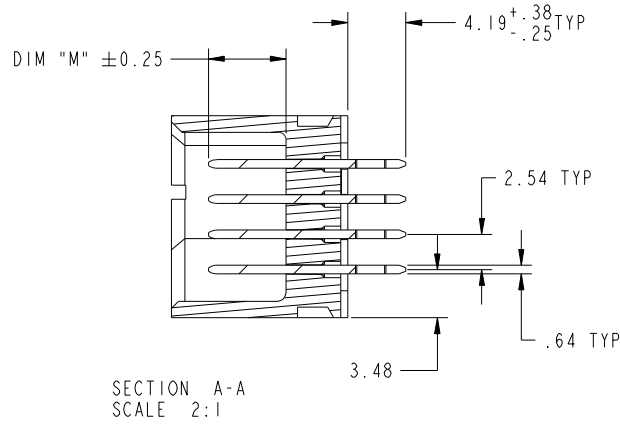
Pro/E

Tous droits strictement reserves. Reproduction ou communication a des tiers interdite sous quelque forme que ce soit sans autorisation écrite du propriétaire. Propriete de c FCI. Droits de reproduction FCI.



All rights strictly reserved. Reproduction or issue to third parties in any form whatever is not permitted without written authority from the proprietor. Property of FCI. Copyright FCI.

PRODUCT NUMBER
51710-021--
NOTE: 3



mat'l code		SEE NOTE		tolerances unless otherwise specified		CUSTOMER		www.fciconnect.com	
ltr	ecn no.	dr	date	linear	0.X ±0.5	COPY		title	
c					0.XX ±0.25	projection		4P + 28S + 3P VERTICAL PF HEADER	
				angles	0.XXX ±0.10			product family PwrBlade code	
				dr	RYAN YUAN 02/13/06	MIM		213	
				enrg	STEVEN WANG 02/13/06			size dwg no	
				chr	BEER FU 02/13/06	scale		A 51710-021 sheet	
				appd	JOSEPH HSIA 02/13/06	1:1		2	
sheet index	revision sheet								

cage code 22526

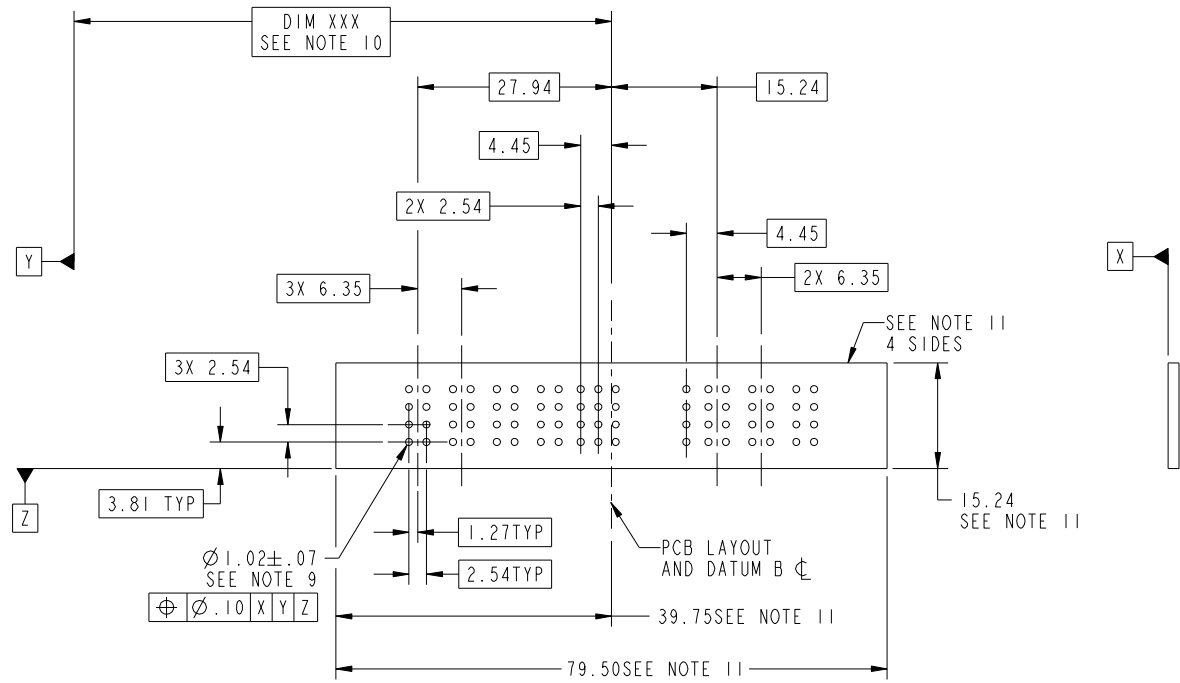
Pro/E

Tous droits strictement reserves. Reproduction ou communication a des tiers interdite sous quelque forme que ce soit sans autorisation écrite du propriétaire. Propriete de c FCI. Droits de reproduction FCI.



All rights strictly reserved. Reproduction or issue to third parties in any form whatever is not permitted without written authority from the proprietor. Property of FCI. Copyright FCI.

PRODUCT NUMBER
51710-021--
NOTE: 3



mat'l code		SEE NOTE		tolerances unless otherwise specified		CUSTOMER		www.fciconnect.com	
ltr	ecn no.	dr	date	linear	0.X ± 0.5	COPY		title	
C					0.XX ± 0.25	projection		4P + 28S + 3P VERTICAL PF HEADER	
				angles	0.XXX ± 0.10			product family PwrBlade code	
				dr	RYAN YUAN 02/13/06	MIM		213	
				enrg	STEVEN WANG 02/13/06			size dwg no	
				chr	BEER FU 02/13/06	scale		A 51710-021	
				appd	JOSEPH HSIA 02/13/06	1:1		sheet	
sheet index		revision sheet						3	

cage code 22526

Pro/E

Tous droits strictement réservés. Reproduction ou communication a des tiers interdite sous quelque forme que ce soit sans autorisation écrite du propriétaire. Propriete de c FCI. Droits de reproduction FCI.



All rights strictly reserved. Reproduction or issue to third parties in any form whatever is not permitted without written authority from the proprietor. Property of FCI. Copyright FCI.

A

B

PRODUCT NUMBER		51710-021--		NOTE: 3	
NOTES:					
1. DIMENSIONS AND TOLERANCES ARE IN ACCORDANCE WITH ASME Y14.5M, 1994 UNLESS OTHERWISE SPECIFIED.					
CONNECTOR NOTES:					
② HOUSING MATERIAL: UL 94 V-0 GLASS FILLED HIGH-TEMP THERMOPLASTIC POWER CONTACT MATERIAL: COPPER ALLOY SIGNAL PIN MATERIAL: COPPER ALLOY					
3. PLATING: SEE ITEM 3 & 4 IN PRINT 10064183 FOR PLATING SPEC OF 51710-021; 51710-021LF PRESPECTIVELY					
④ MANUFACTURER'S NAME, P/N, AND DATE CODE TO APPEAR ON THIS SURFACE.					
5. PRODUCT SPECIFICATION GS-12-149. APPLICATION SPECIFICATION BUS-20-067.					
6. PACKAGED IN TRAYS.					
PCB NOTES:					
7. ALL HOLE DIAMETERS ARE FINISHED HOLE SIZE.					
8. MOUNTING HOLES, WHERE APPLICABLE, ARE UNPLATED.					
⑨ $\varnothing 1.151 \pm 0.025$ DRILLED HOLES PLATED WITH 0.008 MIN SnPb OR Sn OVER 0.03 TO 0.08 Cu PLATING TO ACHIEVE $\varnothing 1.02 \pm .07$ HOLE.					
⑩ "DIM XXX" TO BE DETERMINED BY THE CUSTOMER.					
⑪ CONNECTOR KEEP-OUT ZONE.					
12. FOR PRESS FIT APPLICATION USE FCI CAM TOOL 430169-XXX.					
13. A \triangle SYMBOL WILL BE NEXT TO ANY DIMENSION, VIEW, OR NOTE WHICH HAS BEEN MODIFIED WITH THE CURRENT DRAWING REVISION.					
mat'l code		SEE NOTE		tolerances unless otherwise specified	
ltr	ecn no.	dr	date	linear	0.X ± 0.5
C					0.XX ± 0.25
				angles	0.XXX ± 0.10
				dr	0° + 2°
				dr	RYAN YUAN 02/13/06
				enrg	STEVEN WANG 02/13/06
				chr	BEER FU 02/13/06
				appd	JOSEPH HSIA 02/13/06
sheet index	revision sheet				

CUSTOMER		FCI		www.fciconnect.com	
COPY		projection		title	
				4P + 28S + 3P VERTICAL PF HEADER	
product family		PwrBlade		code	
size		dwg no		213	
A		51710-021		sheet 4	
scale		1:1			

sheet	revision				
index	sheet				

1 | 2

3 |

4

1 | 2

Pro/E

3 |

cage code 22526

4

A

B