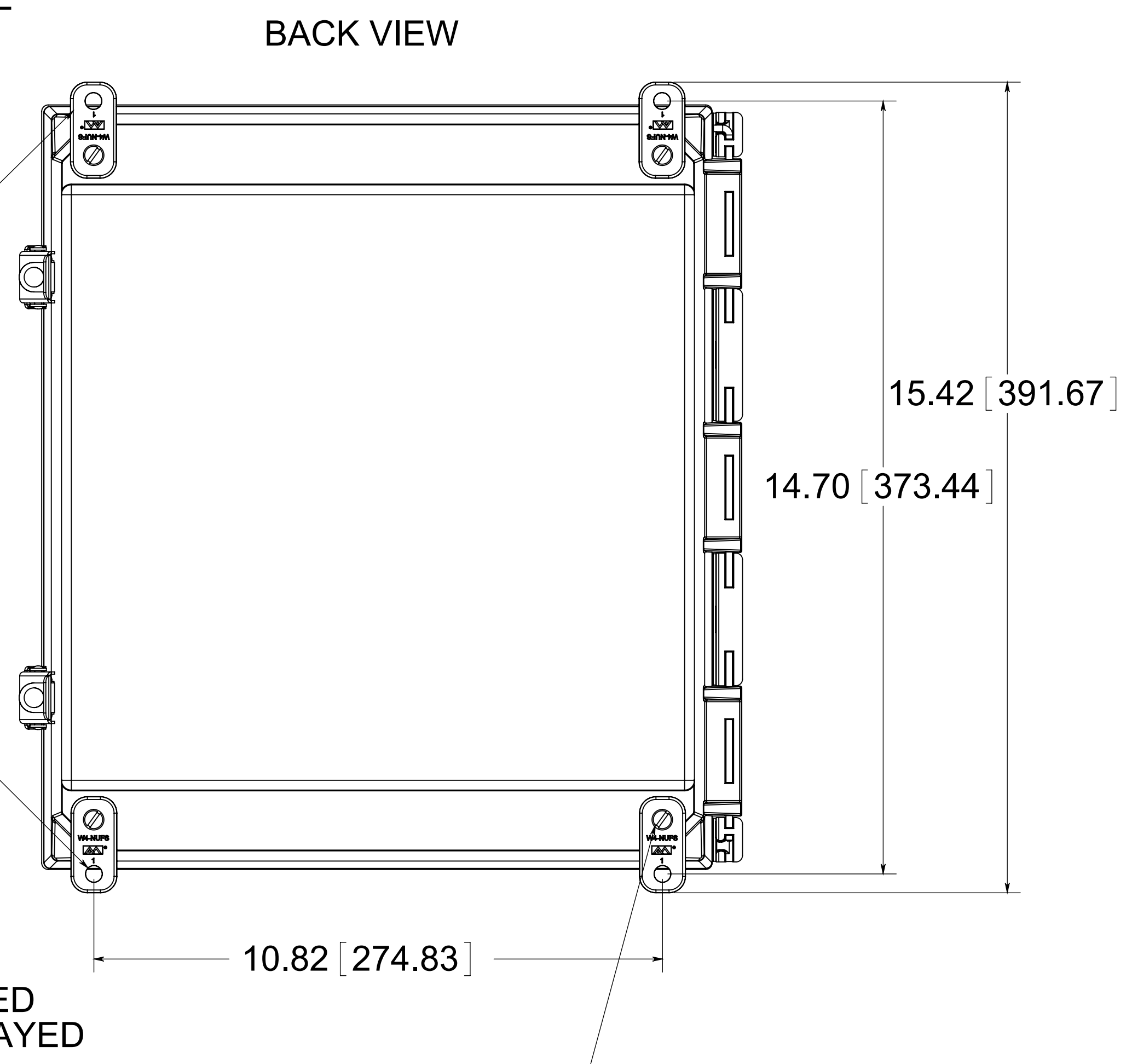


OPTIONAL BACK PANEL  
 0.100 [2.54] TH'K- ALUMINUM  
 0.075 [1.91] TH'K- WHITE STEEL & GALVANNEALED  
 0.125 [3.18] TH'K- FIBERGLASS

(4) POLYCARBONATE FEET

.10 [2.54]  
 6.11 [155.27]



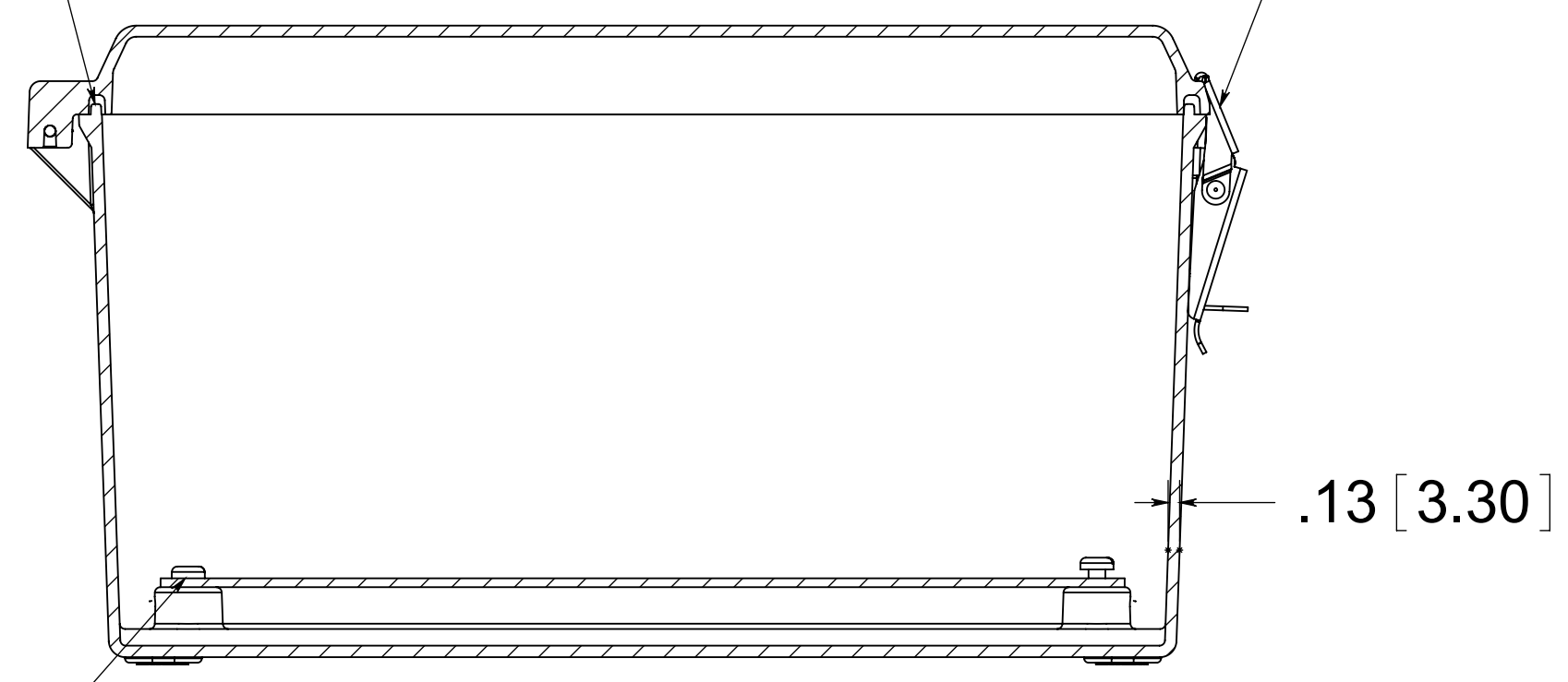
FRONT VIEW  
 WITH COVER REMOVED  
 AND BACK PANEL DISPLAYED

STAINLESS STEEL HINGE PIN

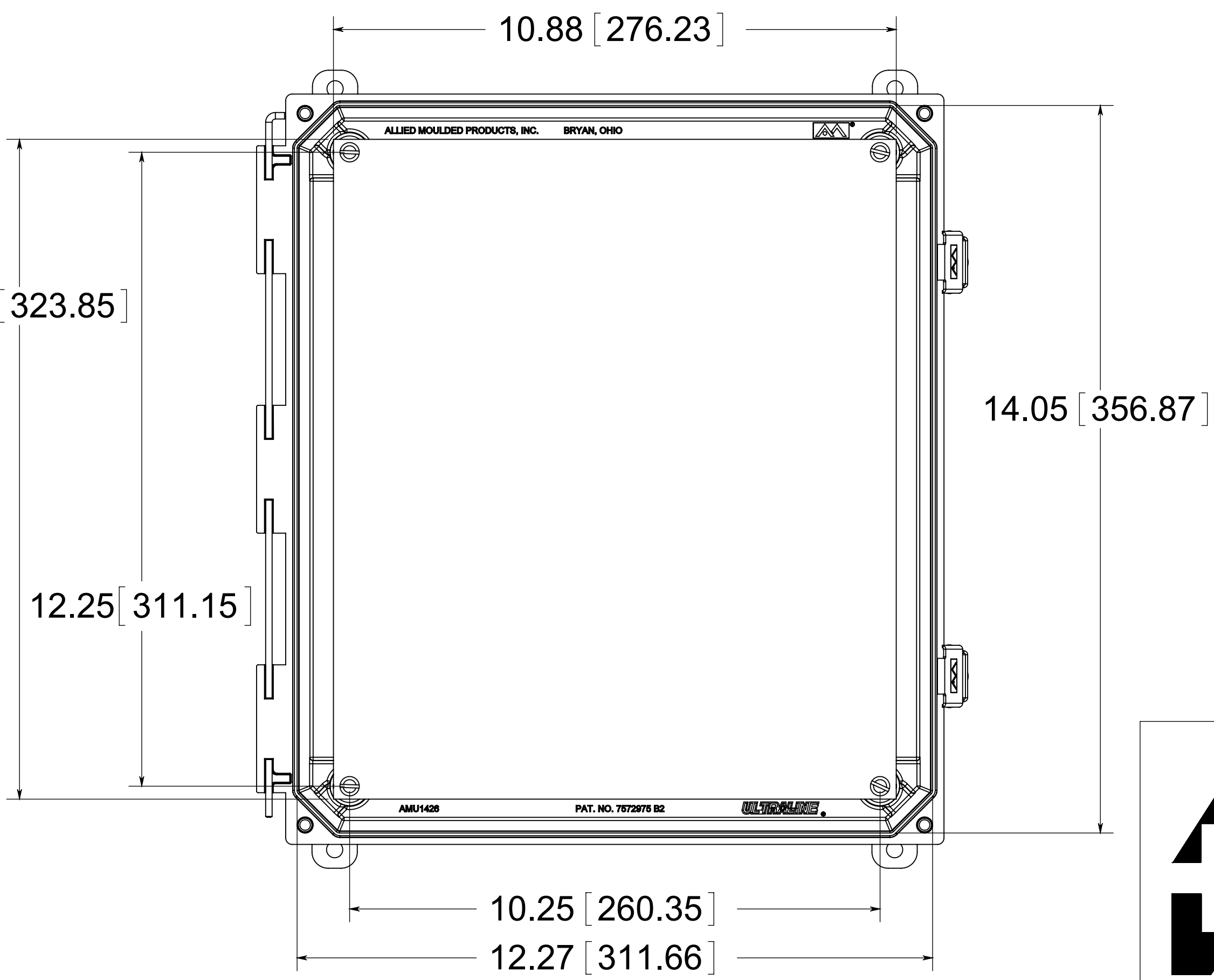
CLOSED CELL NEOPRENE GASKET

(2) STAINLESS STEEL LOCKABLE SNAP LATCHES

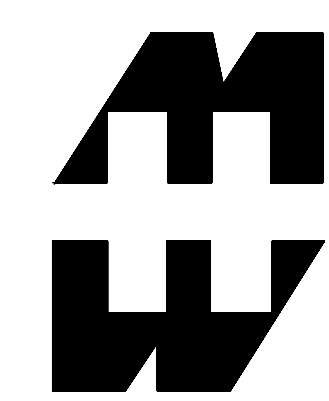
(4) EACH #10-32 BRASS INSERTS, AND STAINLESS STEEL FLANGE AND FEET SCREWS



(4) EACH #10-32 BRASS INSERTS AND PLATED CARBON STEEL SCREWS



MATERIAL:  
 BOX-COMPRESSION MOLDED FIBERGLASS REINFORCED POLYESTER  
 COVER- COMPRESSION MOLDED FIBERGLASS REINFORCED POLYESTER  
 CLEAR COVER AND WINDOWS- POLYCARBONATE



PART No. PJU14126L  
 for more information visit [www.hammfg.com](http://www.hammfg.com)  
 Data subject to change without notice  
 Drawing Not to Scale