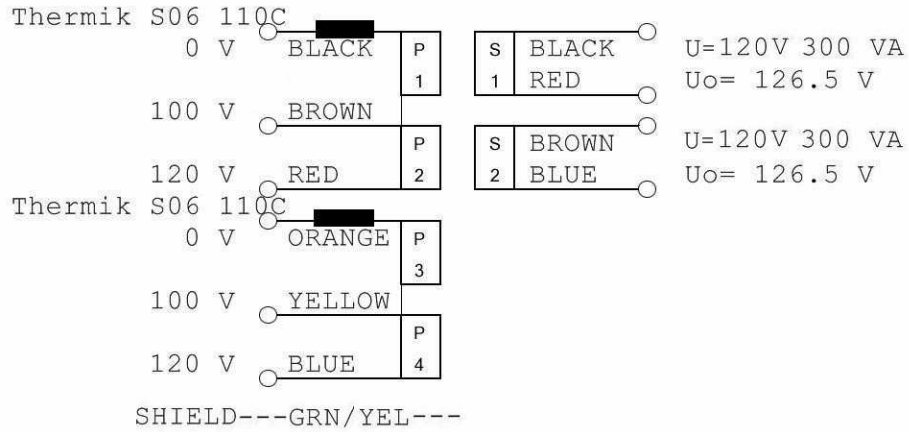





Transformer No.	MED0600	1 -fase / -con. 50 Hz
Customer	MEDICAL ISOLATION STANDARD	Note
Assembly Comp.	METAL DISC DIA 130 mm	Date/sign. 08-26-2009 KEVIN



Marking

 MADE BY AMGIS LLC USA TRANSFORMER P/N MED0600 PRIM.2*(0-100-120V) 50/60HZ 633VA SEC.2*120V 2*300VA	 	Changed from
		Changed to

Tests.	Uo. Tolerance, ± 3 %	I _{omax} : 115.2 (mA)	100 V over P1.	Isol: 4K V
--------	----------------------	--------------------------------	----------------	------------

Dimensions:	Max H: 2.6" (mm)	Max. Ø: 6.6" (mm)	Terminals: 250 mm
-------------	------------------	-------------------	-------------------

(mm)	1 pc metal disk diamter 130 mm
	2 pcs rubber gaskets diameter 148 mm
	Shipping Weight: 11.5 lbs