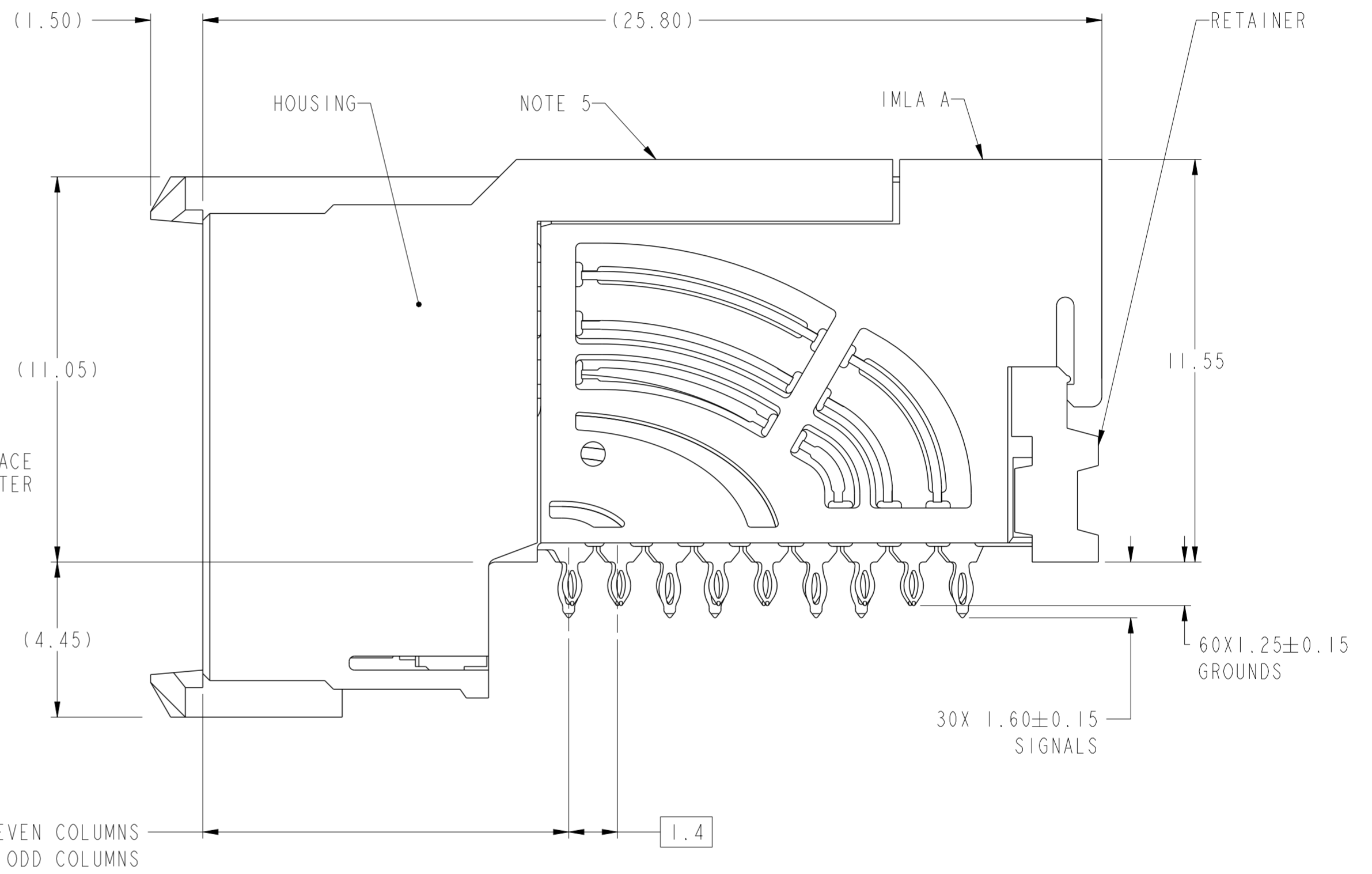
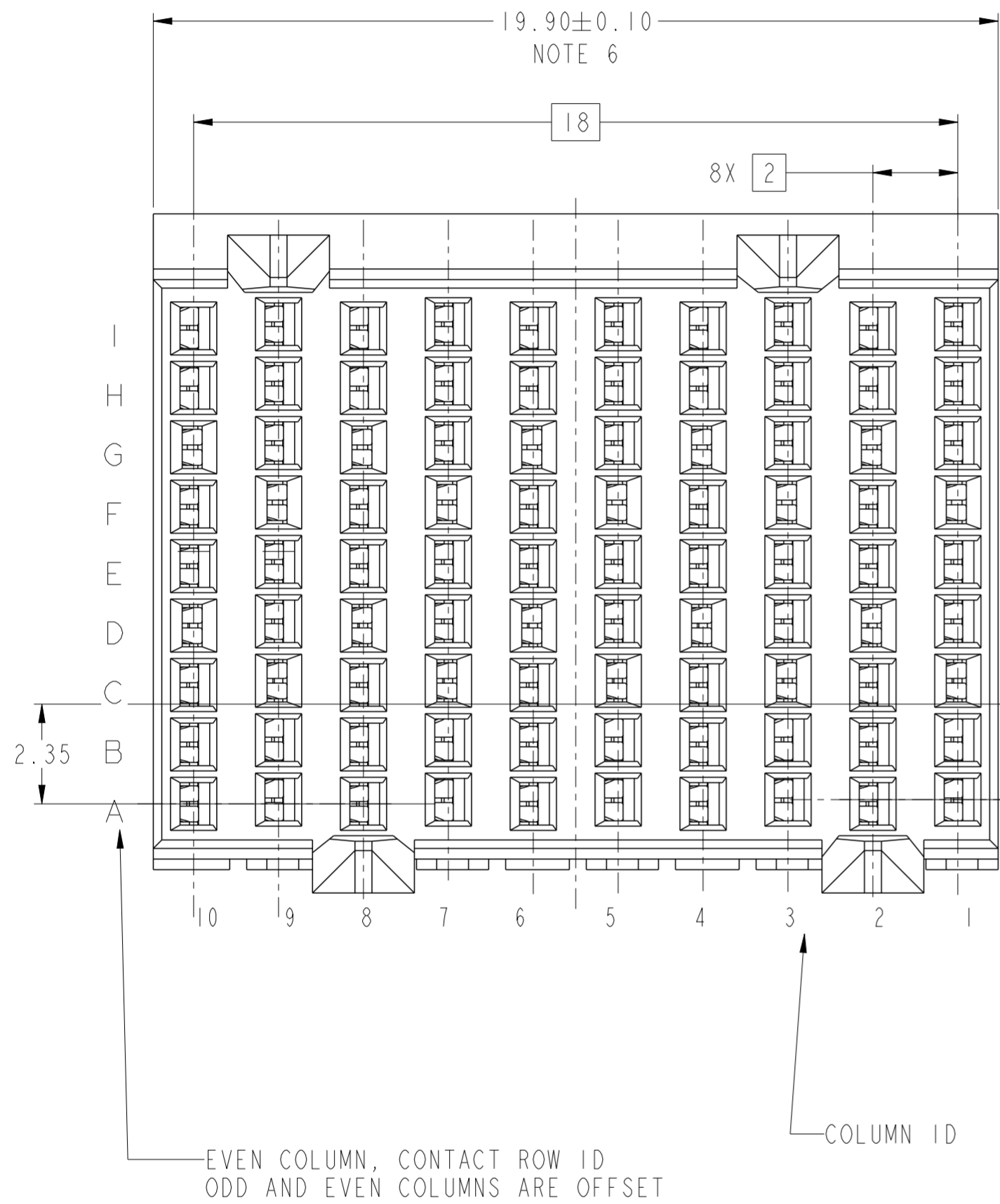
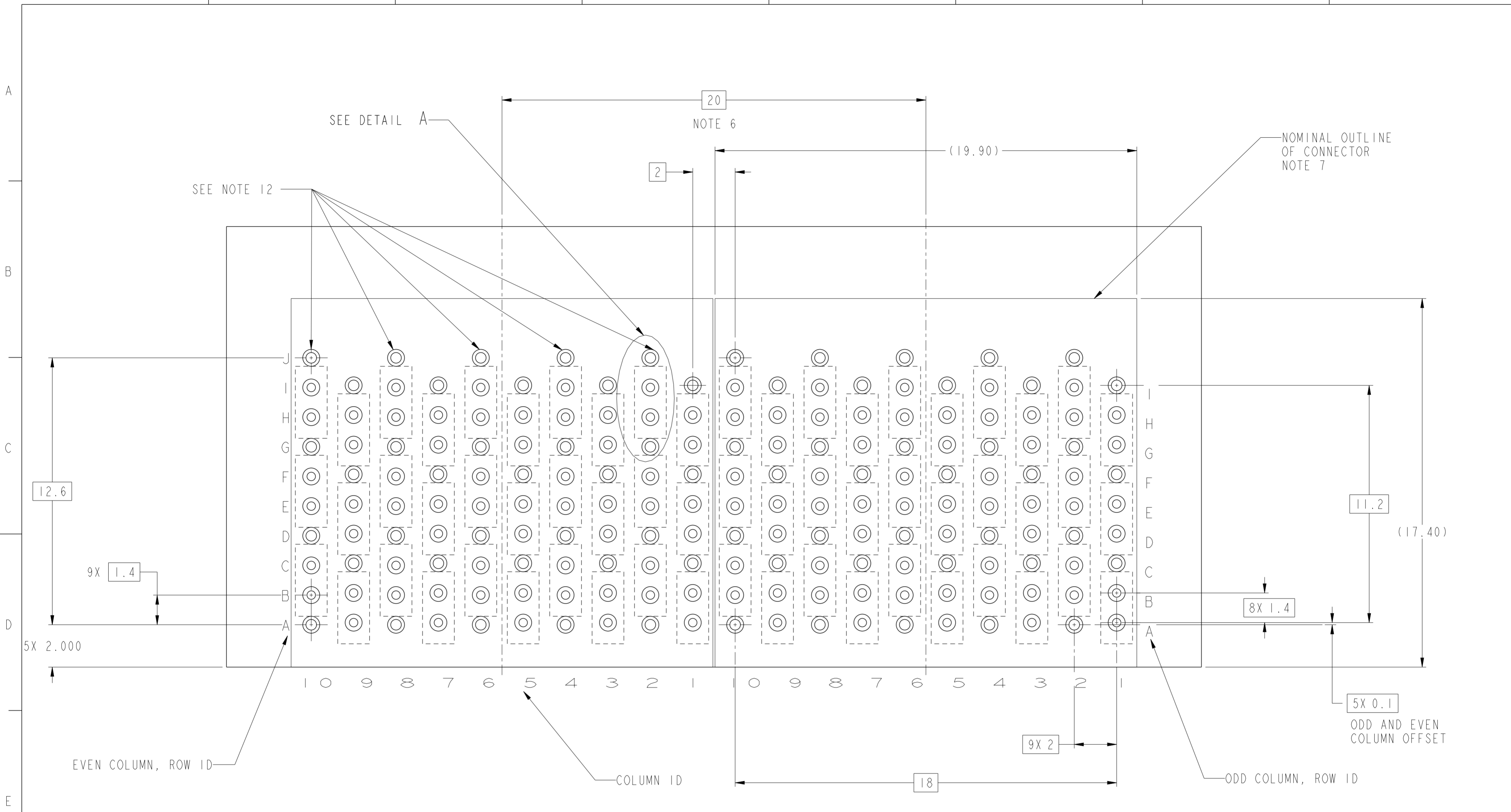


PRODUCT NUMBER  
SEE SHEET 3



10.50 $\phi$  OF EVEN COLUMNS  
10.60 $\phi$  OF ODD COLUMNS

spec ref	---	dr	Lin-Soe Ngwe	2013/02/22	projection	MM	size	A2	scale	1:1												
tolerance std	ASME Y14.5M	eng	Jackie Chen	2015/02/06			ecn no	ELX-DG-20165-1														
TOLERANCES UNLESS OTHERWISE SPECIFIED		chr	-	rel level			Released															
surface	<table border="1"> <tr> <td>linear</td> <td>0.X</td> <td>±.3</td> </tr> <tr> <td></td> <td>0.XX</td> <td>±.10</td> </tr> <tr> <td></td> <td>0.XXX</td> <td>±.050</td> </tr> <tr> <td>angular</td> <td>0°</td> <td>±°</td> </tr> </table>	linear	0.X	±.3		0.XX	±.10		0.XXX	±.050	angular	0°	±°	appr	Collins Lu	2015/02/06	product family	AirMax VSe	rel level	Released		
linear	0.X	±.3																				
	0.XX	±.10																				
	0.XXX	±.050																				
angular	0°	±°																				
				<b>title</b> AIRMAX VSe R.A. RECEPTACLE ASS'Y, 3 PAIR, 90 POS, 10 IMLA, 20MM		dwg no	10124432		rev	B												
		www.fci.com		cat. no.		Product - Customer Drw		sheet 1 of 3														



RECOMMENDED PCB LAYOUT  
FOR DIFFERENTIAL APPLICATIONS  
COMPONENT SIDE  
(TWO ADJACENT FOOTPRINTS SHOWN)  
NOTES 6, 8, & 11

Copyright FCI.  
FCI

spec ref	---	dr	Lin-Sze Ngwe	2013/02/22	projection	MM	size	A2	scale	1:1	
tolerance std	ASME Y14.5M	eng	Jackie Chen	2015/02/06		MM	ecn no	ELX-DG-20165-1	rel level	Released	
TOLERANCES UNLESS OTHERWISE SPECIFIED		chr	-	appr							Collins Lu
surface	✓	linear	0.X	±.3		<b>AIRMAX VSe R.A. RECEPTACLE</b> ASS'Y, 3 PAIR, 90 POS, 10 IMLA, 20MM	dwg no 10124432	rev B	cat. no. -	Product - Customer Drw	sheet 2 of 3
			0.XX	±.10							
			0.XXX	±.050							
		angular	0°	±°	www.fci.com						

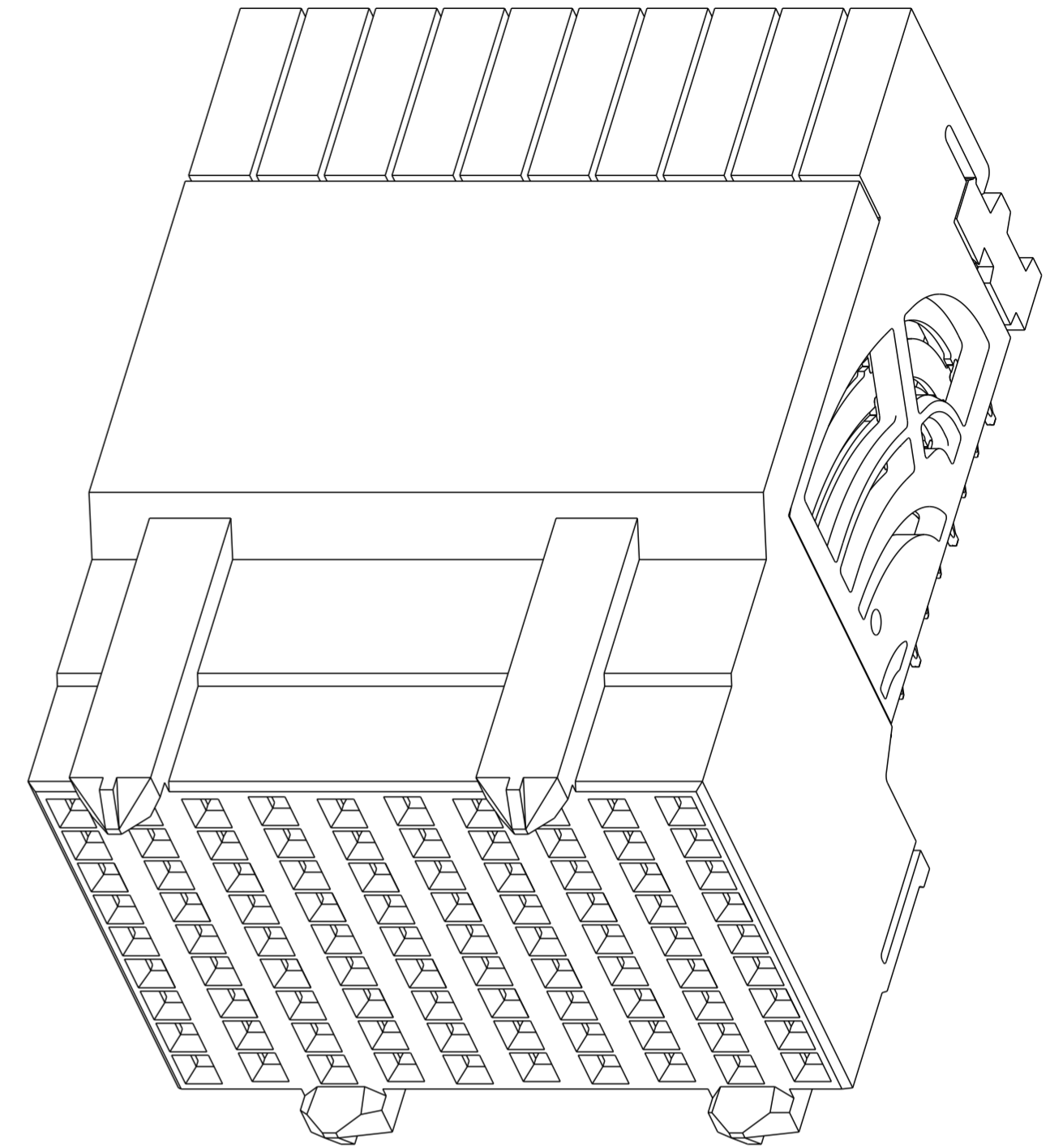
PDS: Rev :B

STATUS:Released

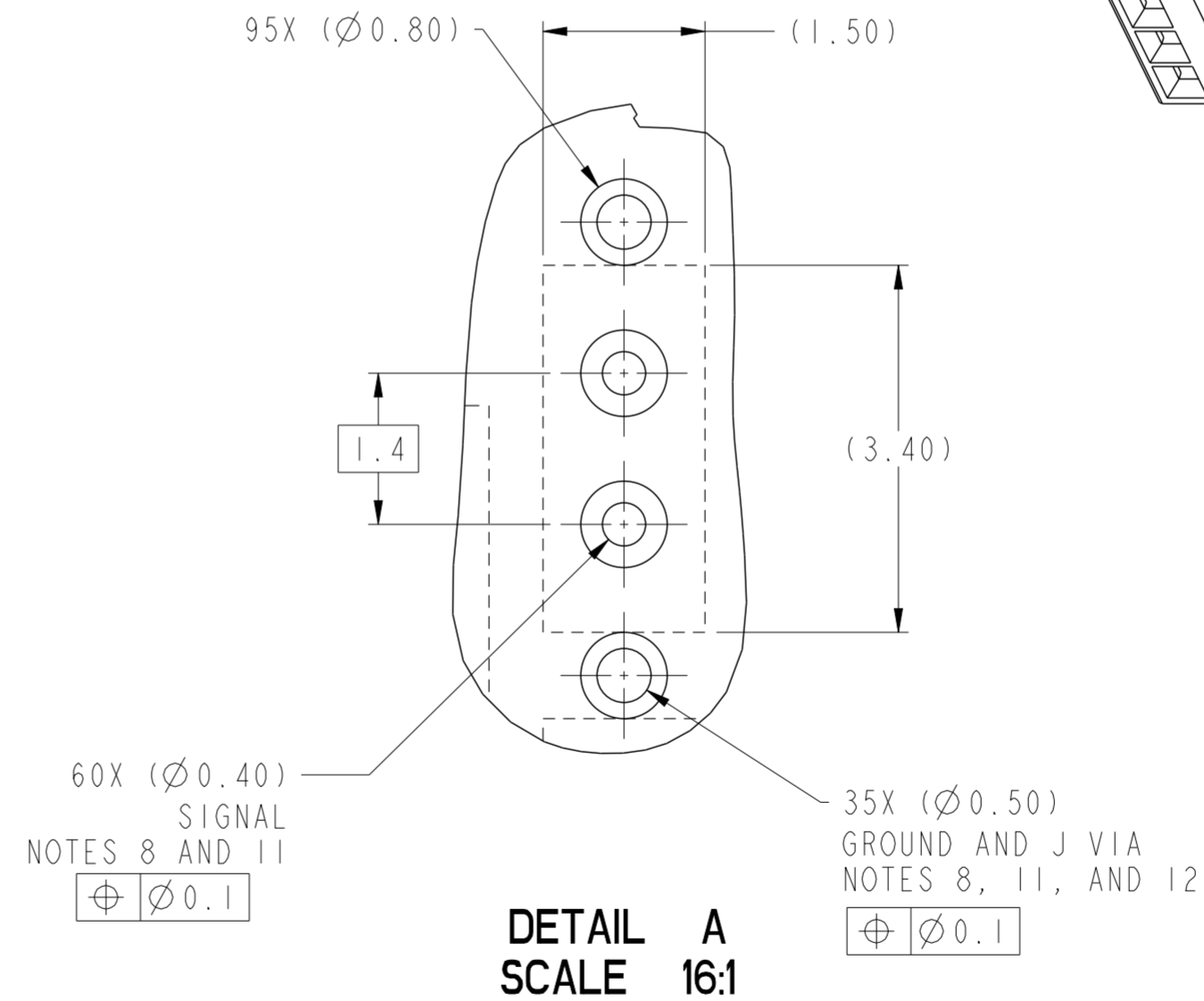
Printed: Feb 06, 2015

PRODUCT NUMBER	PRESS-FIT TAIL PLATING TYPE
10124432-101	TIN/LEAD ALLOY OVER NICKEL
10124432-101LF	TIN OVER NICKEL (LEAD FREE)

- ① - CONNECTOR MATERIALS:  
HOUSING: HIGH TEMP THERMOPLASTIC, NATURAL, UL94-V0  
IMLA PLASTIC: HIGH TEMP THERMOPLASTIC, BLACK, UL94-V0  
CONTACT: COPPER ALLOY  
ORGANIZER: HIGH TEMP THERMOPLASTIC, NATURAL, UL94-V0
- 2 - CONTACT PLATING:  
SEPARABLE INTERFACE:  
PERFORMANCE-BASED PLATING, QUALIFIED TO MEET THE REQUIREMENTS OF FCI PRODUCT SPECIFICATION GS-12-0956 INCLUDING TELCORDIA GR-1217-CORE (NOVEMBER 1995) CENTRAL OFFICE TEST SEQUENCE
- PRESS-FIT TAILS: SEE TABLE
- 3 - PRODUCT SPECIFICATION: GS-12-0956
- 4 - APPLICATION SPECIFICATION: GS-20-0305.
- ⑤ - PRODUCT MARKING, (PART NUMBER & LOT CODE), ON THIS SURFACE.
- ⑥ - THE MINIMUM CENTERLINE SPACING BETWEEN ADJACENT MODULES IS 20.0 MM.
- ⑦ - CONNECTOR OUTLINE MAY BE SCREEN PRINTED ONTO CUSTOMER PCB TO BE USED AS A GUIDE FOR MANUAL CONNECTOR PLACEMENT.
- ⑧ - REFER TO CUSTOMER DRAWING 10104444 FOR INFORMATION ON PCB HOLE DIAMETERS AND PLATING OPTIONS
- 9 - LEAD FREE PRODUCT MEETS THE EUROPEAN UNION DIRECTIVES & OTHER COUNTRY REGULATIONS AS DESCRIBED IN GS-22-008
- 10 - PACKAGING MEETS GS-14-920 LEAD FREE LABELING SPECIFICATION.
- ⑪ - GROUND CONTACTS (C,F, AND I IN ODD COLUMNS AND A, D, AND G, EVEN COLUMNS) REQUIRE (Ø0.500) FINISHED HOLES. SIGNAL LOCATIONS REQUIRE (Ø0.400) FINISHED HOLES.
- ⑫ - THESE OUTER VIAS (J) ARE OPTIONAL. WHILE NO CONNECTOR EONS ARE PRESSED INTO THESE HOLES WE RECCOMEND (Ø0.500) FINISHED HOLES AT THESE LOCATIONS TO PROVIDE GROUND SYMMETRY THROUGH THE PCB.



10124432-101 OR -101LF



spec ref	---	dr	Lin-Soe Ngwe	2013/02/22	projection	MM	size	A2	scale	4:1	
tolerance std	ASME Y14.5M	eng	Jackie Chen	2015/02/06	chr	-	ecn no	ELX-DG-20165-1	rel level	Released	
surface	✓	appr	Collins Lu	2015/02/06	product family		title	AIRMAX VSe R.A. RECEPTACLE ASS'Y, 3 PAIR, 90 POS, 10 IMLA, 20MM	dwg no	10124432	
	linear	0.X	±.3							rev	B
		0.XX	±.10								
		0.XXX	±.050								
	angular	0°	±°								
		www.fci.com		cat. no.	Product - Customer Drw		sheet 3 of 3				

