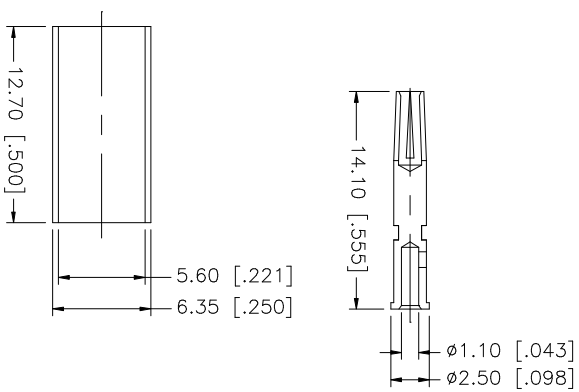
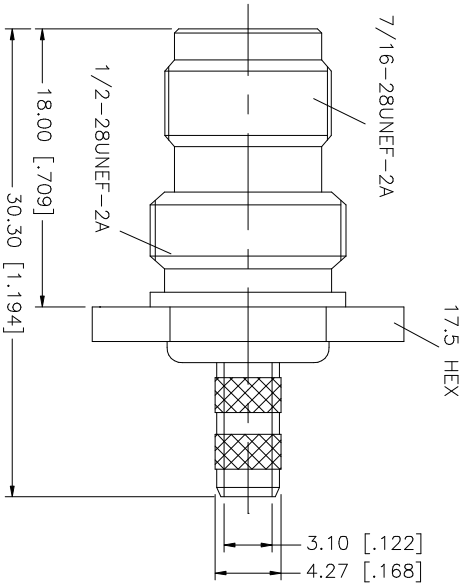
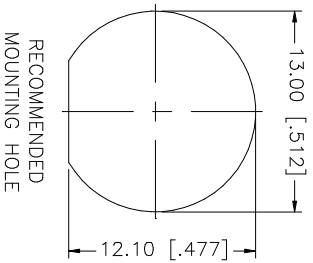
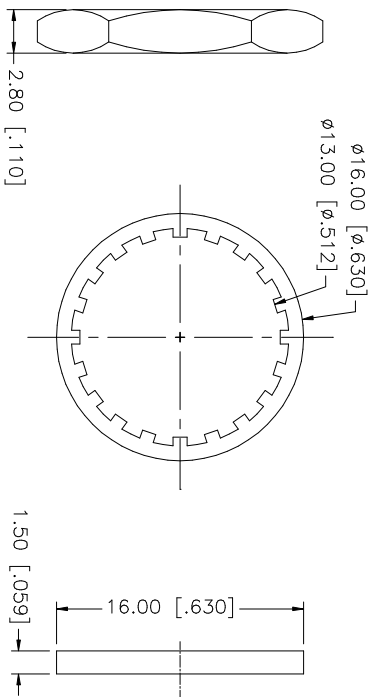
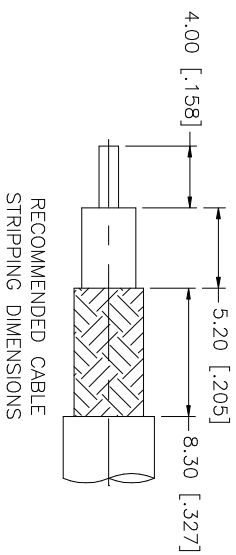


REV.	DATE	DESCRIPTION
NC	05/03/99	INITIAL RELEASE
A	03/20/05	REFORMAT DRAWING
B	11/29/05	MODIFY BARREL AND FERRULE I.D.



NOTE:

1. FERRULE HEX. CRIMP SIZE .213"
2. CONTACT PIN CRIMP SIZE .068"
3. MAX. PANEL THICKNESS= 3.5mm

QTY	DESCRIPTION	MATERIAL	FINISH	DO NOT SCALE DRAWING	APPROVALS	DATE	PART DESCRIPTION
1	8 FERRULE	COPPER	NICKEL		DRAWN	11/29/05	<p><b>Amphenol Connex</b></p> <p>TNC BULKHEAD CRIMP JACK (FOR RG-142/U, 223/U, 400/U CABLE)</p> <p>122363</p>
1	7 GASKET	SILICONE	RUBBER		CHECKED		
1	6 HEX NUT	BRASS	NICKEL		ISSUED		
1	4 LOCKWASHER	BRASS	NICKEL		SHEET	1 OF 1	
1	3 CONTACT PIN	PHOS. BRONZE	GOLD				
1	2 INSULATOR	TEFLON	NATURAL				
1	1 BODY	BRASS	NICKEL				
	DESCRIPTION	MATERIAL	FINISH	QTY			

UNLESS OTHERWISE SPECIFIED, DIMENSIONS ARE IN MILLIMETERS. DIMENSIONS IN INCHES ARE IN INCHES AND FOR CUSTOMER REFERENCE ONLY.

TOLERANCES FOR MILLIMETERS ARE:

0.5 - 8mm ± 0.20mm  
8 - 30mm ± 0.40mm  
30 - 120mm ± 0.50mm

UNLESS OTHERWISE SPECIFIED, DIMENSIONS FOR INCHES ARE:

.020 - .315 = ± 0.007"  
.315 - 1.180 = ± 0.015"  
1.180 - 4.724 = ± 0.020"

APPROVALS	DATE
G.R.S.	11/29/05

CAD FILE	DWG. NO.	REV.	SIZE	SCALE
C:/122/122363.DWG	122363.DWG	B	A	NA