

4

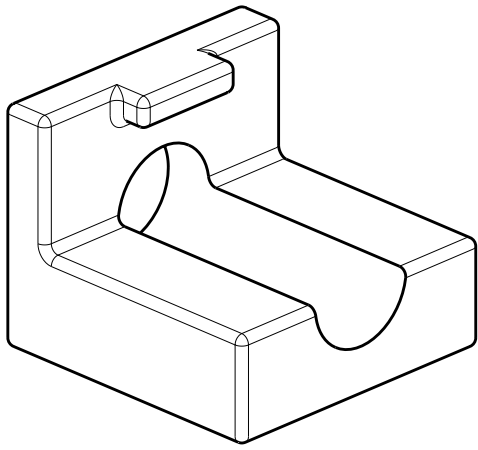
3

2

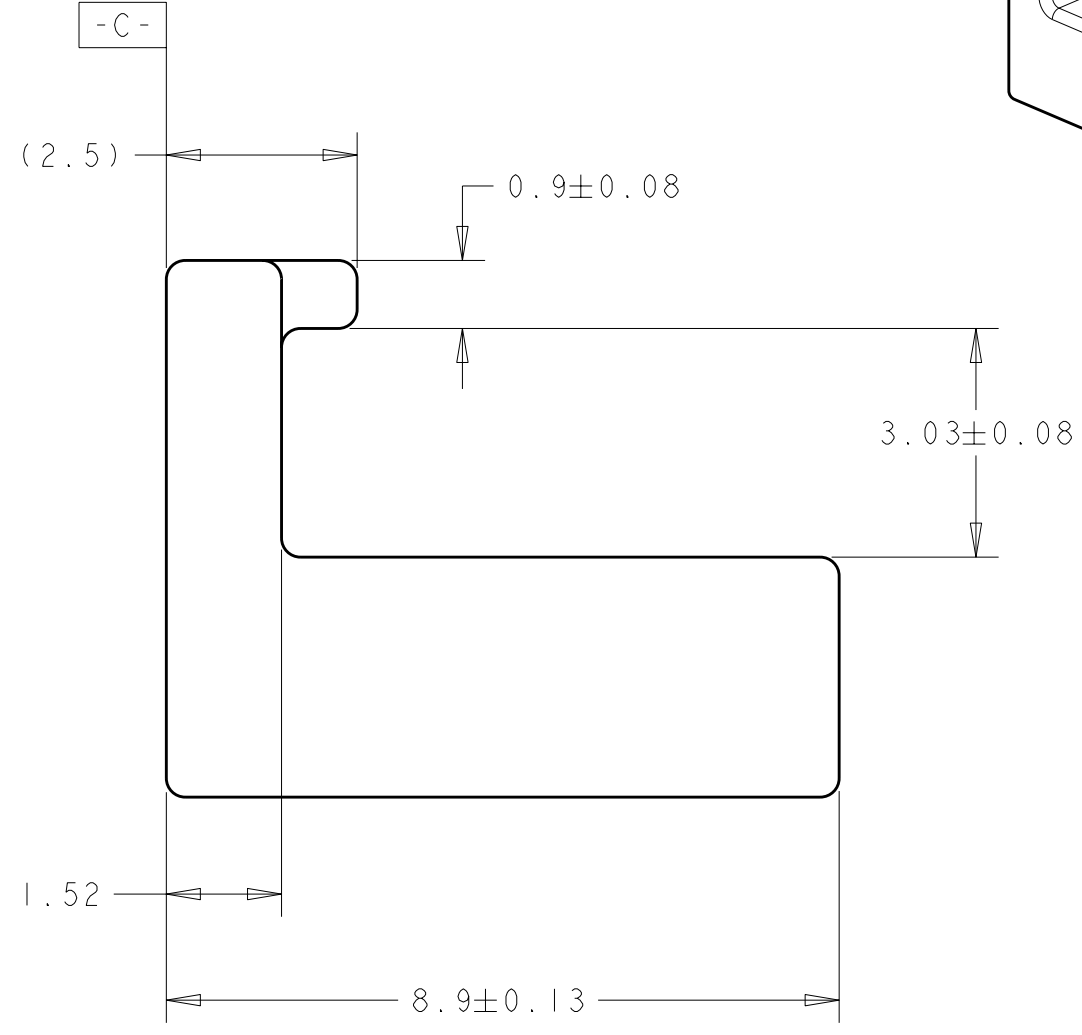
1

THIS DRAWING IS UNPUBLISHED. RELEASED FOR PUBLICATION 20
 © COPYRIGHT 20 BY - ALL RIGHTS RESERVED.

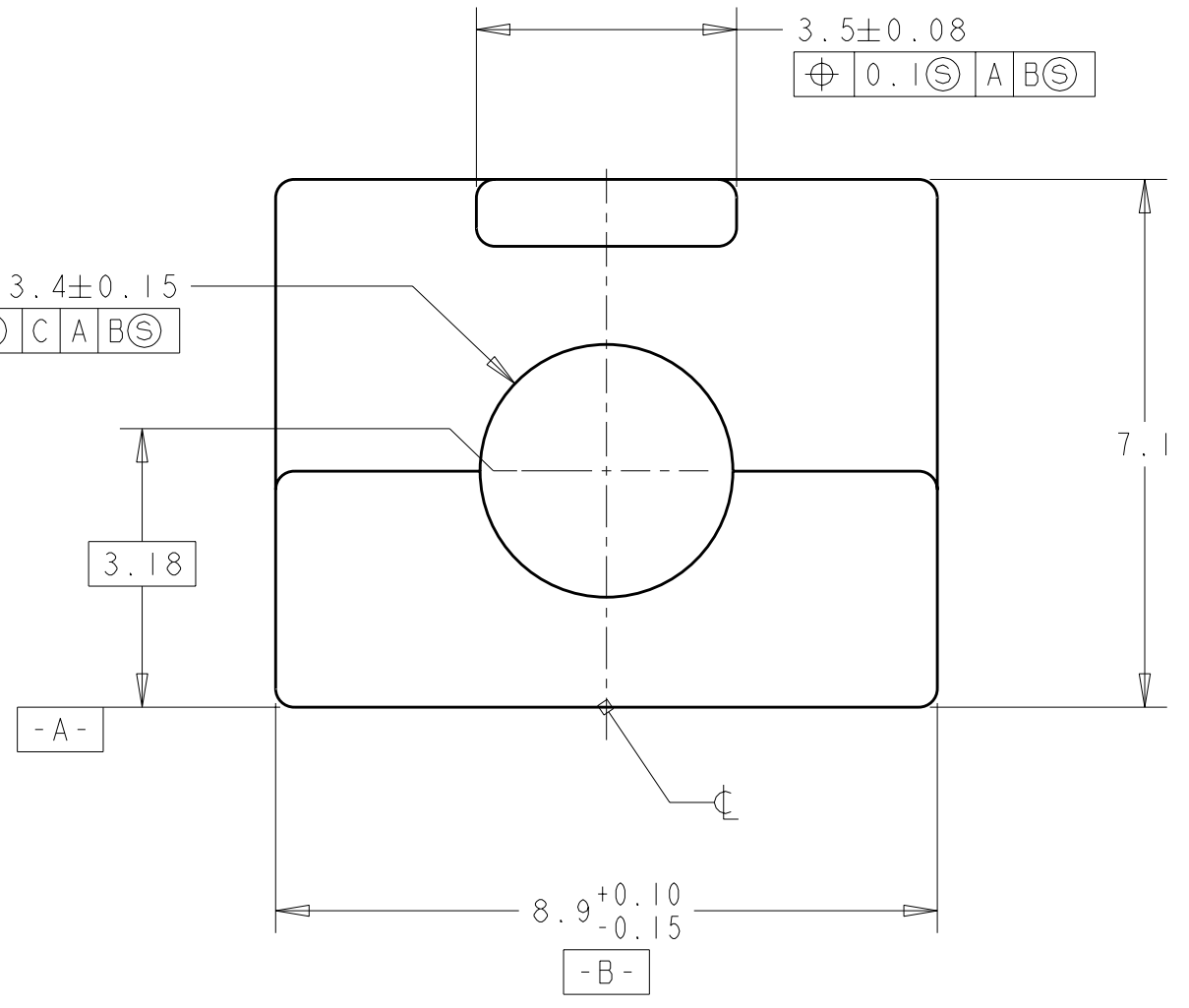
LOC	DIST	REVISIONS			
P	LTR	DESCRIPTION	DATE	DWN	APVD
GP	00	A	RELEASED PER ECO-12-006362	15MAY2012	CJV MRS



SCALE 5:1



Ø 3.4 ± 0.15
 ⊕ Ø 0.1 ⊕ C A B ⊕



2110255-2
 PART NUMBER

- ① ZINC ALLOY PER ASTM B 86, ALLOY AG40A
- ② 1.27µm MIN NICKEL PLATE PER QQ-N-290
 OVER 5.08µm MIN COPPER PLATE PER AMS 2418

THIS DRAWING IS A CONTROLLED DOCUMENT. DIMENSIONING AND TOLERANCING PER ASME Y14.5M-2009		DWN M.E. COWHER 02FEB2009	TE Connectivity	
DIMENSIONS: mm		CHK M.J. PHILLIPS 02FEB2009		
TOLERANCES UNLESS OTHERWISE SPECIFIED:		APVD M.J. PHILLIPS 02FEB2009	NAME INSERT, PLATFORM, GUIDE RAILS, 100 GIG PLUGGABLE	
0 PLC ±0.13 1 PLC ±0.1 2 PLC ±0.05 3 PLC ± 4 PLC ± ANGLES ±		PRODUCT SPEC 108-2399	RESTRICTED TO	
MATERIAL ①		APPLICATION SPEC 114-13263	SIZE A3	CAGE CODE 00779
FINISH ②		WEIGHT -	DRAWING NO C-2110255	REV A
CUSTOMER DRAWING		SCALE 10:1	SHEET 1	OF 1