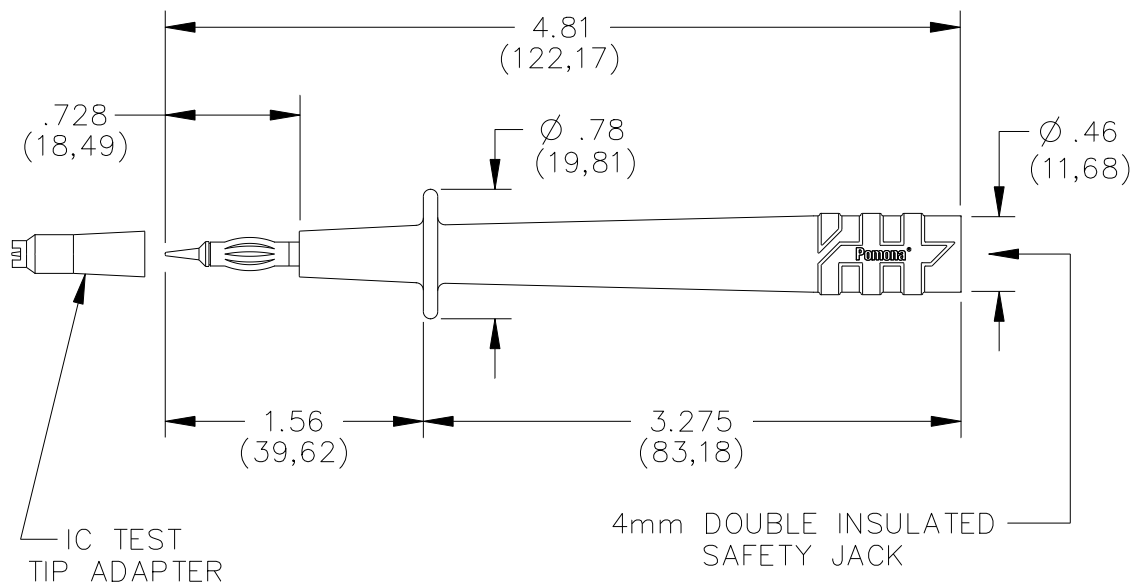


Model 5906A
Modular Test Probe Handle with Banana Plug Tip



FEATURES

- Model 5906A has been redesigned to meet IEC 61010-031, which is the latest international safety standard for test accessories.
- Probe safety jack mates to Pomona's 5907A, 5908A and 5909A Flexible Test Leads for digital multimeter interfacing.
- Probe tip cap offers easy DIP lead testing and prevents accidental probe shorting.
- 4 mm banana plug probe tip mates into banana jacks for added test flexibility.

MATERIAL

Probe Body: Polypropylene UL94 HB
 Plug Tip: Body – Brass, Nickel Plated
 4mm Safety Jack: Brass, Nickel Plated

RATINGS

Operating Voltage: IEC 61010-031, CAT III 1000 V (with protective cap), CAT II 1000 V (without protective cap).
 Current: 10 Amperes Max.

ORDERING INFORMATION

Model 5906A (Includes a set of one black and one red probe)
 Probe set is also included in many Pomona DMM Test Kits.



USA: Sales: 800-490-2361
 Technical Support: technicalsupport@pomonatest.com
 Fax: 425-446-5844
Europe: 31-(0) 40 2675 150 **International:** 425-446-5500
Where to Buy: www.pomonaelectronics.com

All dimensions are in inches. Tolerances (except noted): .xx = ±.02" (.51 mm), .xxx = ±.005" (.127 mm). All specifications are to the latest revisions. Specifications are subject to change without notice. Registered trademarks are the property of their respective companies.