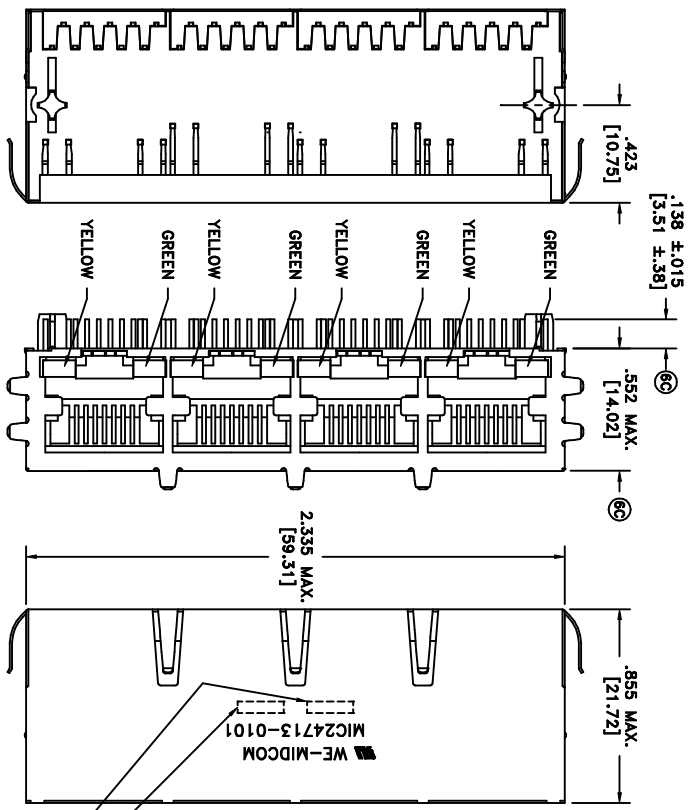


SOLDER SUFFIX	CUSTOMER TERMINAL	ROHS	LEAD(Pb)-FREE
LF3	SM100X	Yes	Yes

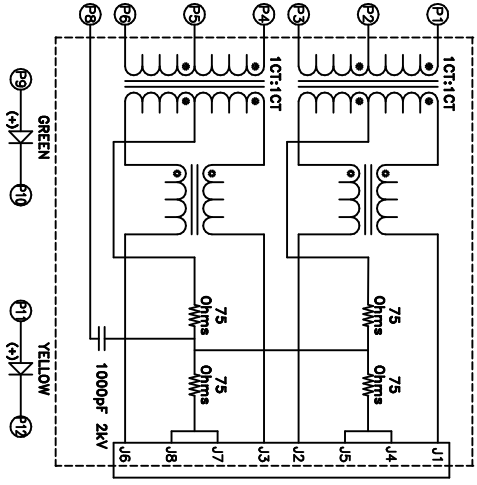


ELECTRICAL SPECIFICATIONS @ 25°C unless otherwise noted:

- INDUCTANCE: 350uH min., 100kHz, 100mV, 6mADC, J1-J2; J3-J6, Lp.
- DIELECTRIC RATING: 1500Vrms for 1 minute between P1-J1(the P1+P3).
- TURNS RATIO/POLARITY: (P1-P3):(J1-J2) = 1:1, ±2%
(P4-P6):(J3-J6) = 1:1, ±2%.
- INSERTION LOSS: -1.0dB max., 1MHz - 100MHz.
- RETURN LOSS: -18dB min., 1M - 30MHz.
-16dB min., 30M - 45MHz.
-14dB min., 45M - 60MHz.
-12dB min., 60M - 80MHz.
- CROSSTALK: -35dB min., 1MHz - 100MHz.
- COMMON MODE REJECTION: -35dB min., 1MHz - 100MHz.
- OPERATING TEMPERATURE RANGE: 0°C to +70°C.



SOLDER SUFFIX
LOT CODE & DATE CODE



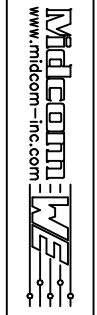
REV.	DATE
6C	11/07
6B	2/07
6A	7/06

RECOMMENDED
P.C. PATTERN, COMPONENT SIDE

Packaging Specifications
Method: Tray
PKG-0552
www.midcom-inc.com

Unless otherwise specified:
Tolerances: Fractions: ±1/64
Angles: ±1° Decimals: ±.010[.25]
This drawing is dual dimensioned. Dimensions in brackets are in millimeters.

DRAWING TITLE
TRANSFORMER
10/100M



DRAWING NO.
MIC24713-0101W-LF3

AGENCY NUMBER
UL60950-1
AGENCY NUMBER
EZ05930

REVISIONS: SEE SHEET 1	SCALE: ---	SHEET 2 OF 6
------------------------	------------	--------------