

Electronic housing - EG 45-A/PC GN - 2764878

Please be informed that the data shown in this PDF Document is generated from our Online Catalog. Please find the complete data in the user's documentation. Our General Terms of Use for Downloads are valid (<http://phoenixcontact.com/download>)

Housing cover, for connection on both sides




The figure shows a fully mounted version of the electronic housing

Why buy this product

- Tool-free mounting
- Date of manufacture and material and part identification embossed on the housing (recyclability)
- Fast snap-on mounting on symmetrical DIN rails according to EN 60715
- Practical and easy-to-wire conductor connection using extra finely stranded sturdy screw terminal blocks up to 2.5 mm²
- Optimum accommodation of electronic components with graded pitches with a design width of 22.5 mm, 45 mm, 67.5 mm, and 90 mm
- Functional and industry-oriented housing technology
- Shock and contamination-proof accommodation of electronic components (IP40 housing, IP20 terminal blocks)



Key Commercial Data

Packing unit	10 STK
GTIN	 4 017918 119676
GTIN	4017918119676

Technical data

General

Housing type	Component housing
Color (RAL)	green

Ambient conditions

Ambient temperature (operation)	80 °C
---------------------------------	-------

Dimensions

Length	75 mm
Constructional height	17.5 mm

Electronic housing - EG 45-A/PC GN - 2764878

Technical data

Dimensions

Width	45 mm
Depth	75 mm

Technical data

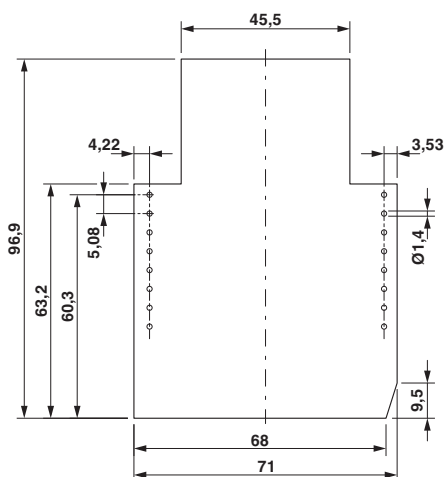
Number of positions	16
---------------------	----

Environmental Product Compliance

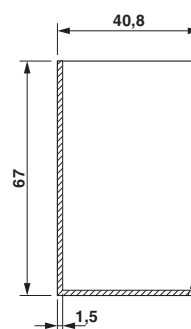
China RoHS	Environmentally friendly use period: unlimited = EFUP-e
	No hazardous substances above threshold values

Drawings

Dimensional drawing



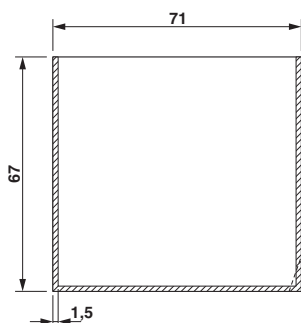
Dimensional drawing



valid for PCB 1; 3; 5 and 6, see explosion drawing

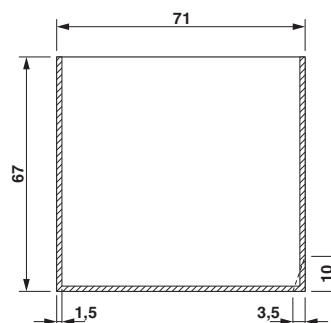
Component mounting side, if the double-level upper part is used

Dimensional drawing



valid for PCB 7 and 12, see explosion drawing

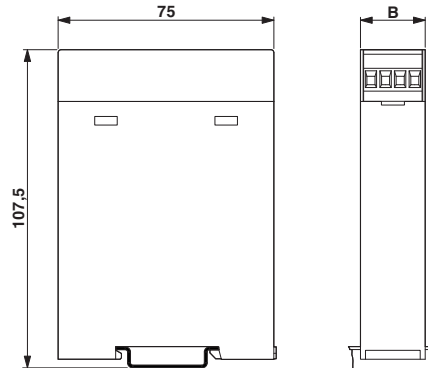
Dimensional drawing



valid for PCB 10, see explosion drawing

Electronic housing - EG 45-A/PC GN - 2764878

Dimensional drawing



Approvals

Approvals

Approvals

UL Recognized

Ex Approvals

Approval details

UL Recognized



<http://database.ul.com/cgi-bin/XYV/template/LISEXT/1FRAME/index.htm>

FILE E 240868

Phoenix Contact 2018 © - all rights reserved
<http://www.phoenixcontact.com>

PHOENIX CONTACT GmbH & Co. KG
Flachsmarktstr. 8
32825 Blomberg
Germany
Tel. +49 5235 300
Fax +49 5235 3 41200
<http://www.phoenixcontact.com>