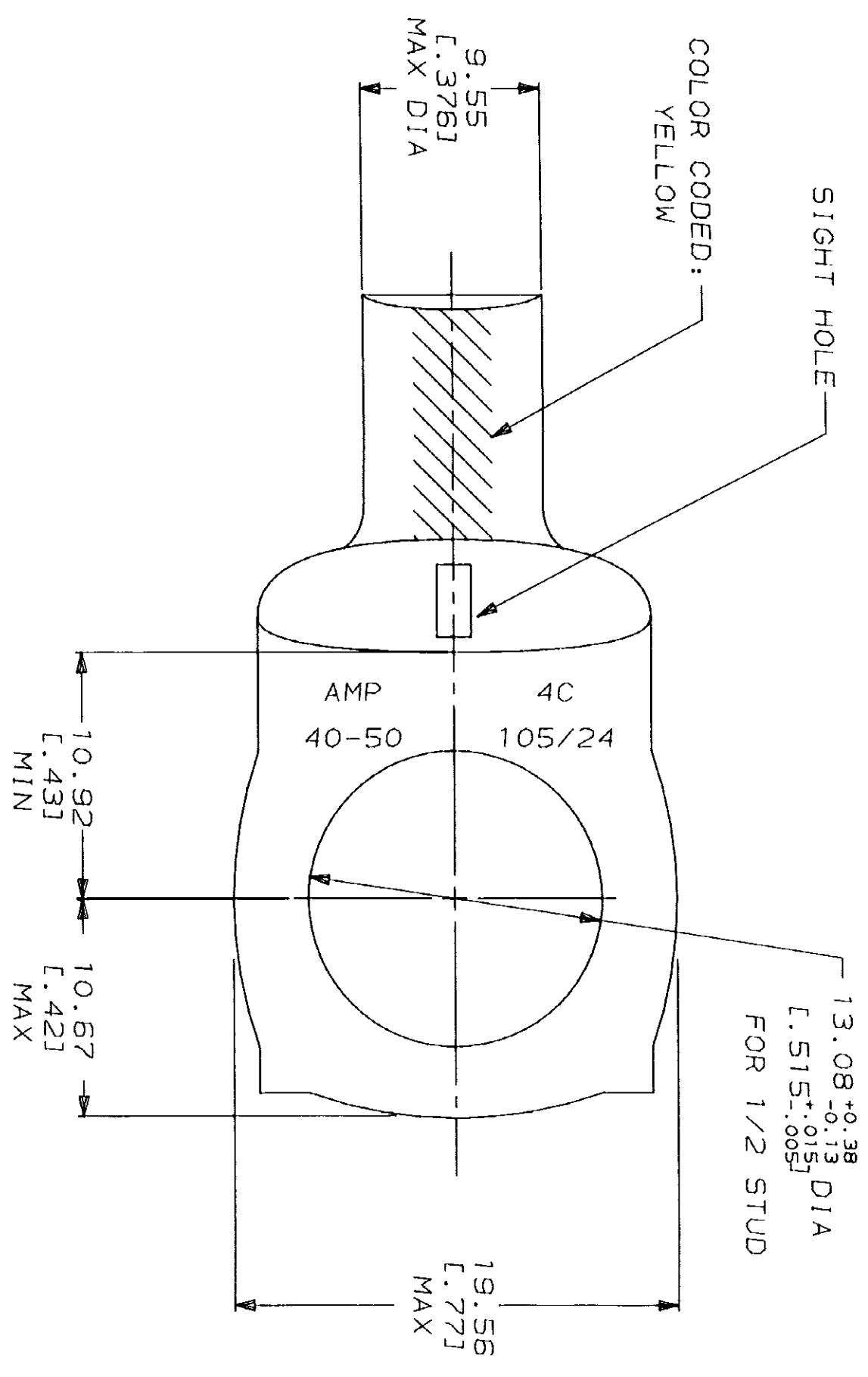
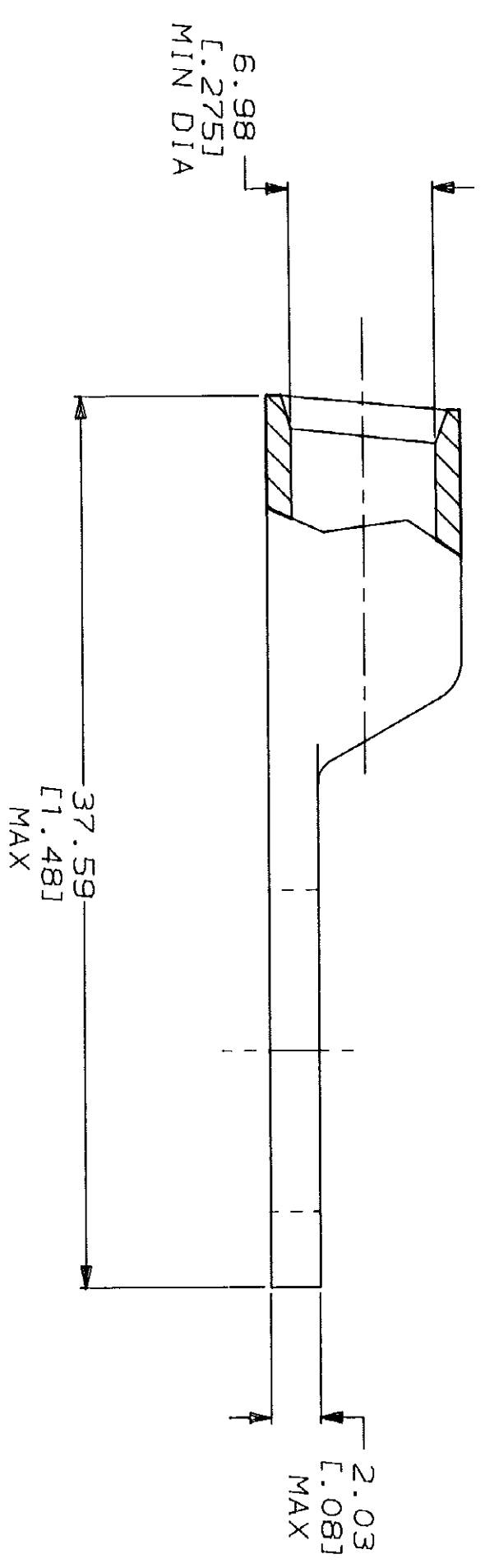


LOC	DIST	P	F	ZONE	LTR	DESCRIPTION	DATE	APPD
G	86				D	REV & REDRAWN PER G-5357 & G-5800	03/09/90	g's A.J.K



△ TIN PL 0.00381 [.000150] MIN THK PER MIL-T-10727
 2 CIRCULAR MIL AREA RANGE: 33,100-52,600 CM



DO NOT SCALE PRINT. UNLESS SPECIFIED DIMENSIONS IN mm (INCHES) TOLERANCES ON: 2 PLC DEC ± 0.51 (.020) 3 PLC DEC ± . - ANGLES ± -		DR 03/09/90 DK SCHRUM	AMP AMP Incorporated Harrisburg, PA 17105-3608
MATERIAL COPPER ASTM B-188 ANNEALED		CHK 3/92 A.J KAUFMAN	
FINISH △		APPD 3/92 W.J VOCKROTH	TERMINAL, AMPPOWER™ WIRE SIZE: 21.0mm ² [4] AWG
APPLICATION SPEC 108-30200		APPD 3/92 CR RHODAS	
WEIGHT -		PRODUCT SPEC 108-30200	SIZE CAGE CODE DRAWING NO ④ 00779 328178
SCALE 4:1			SHEET 1 OF 1

METRIC

328178-1
PART NO

328178

CUSTOMER DRAWING