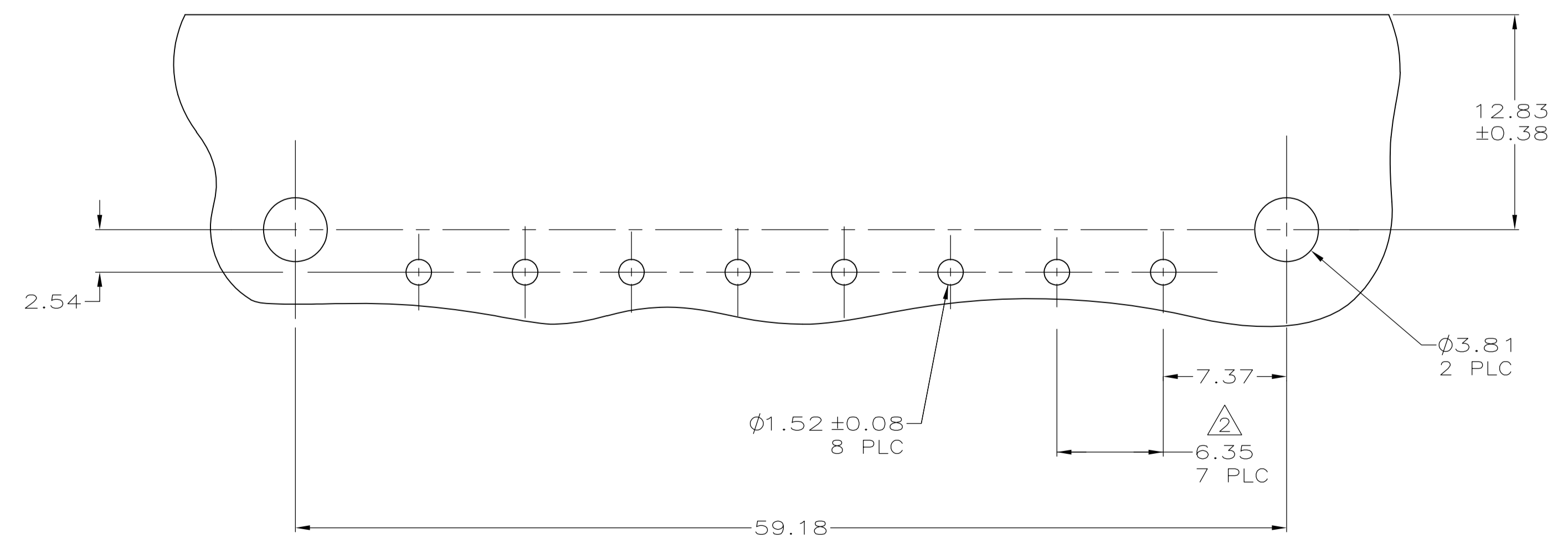
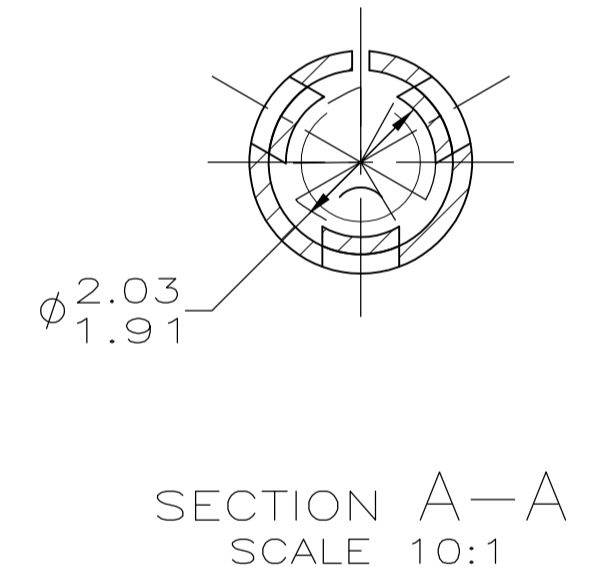
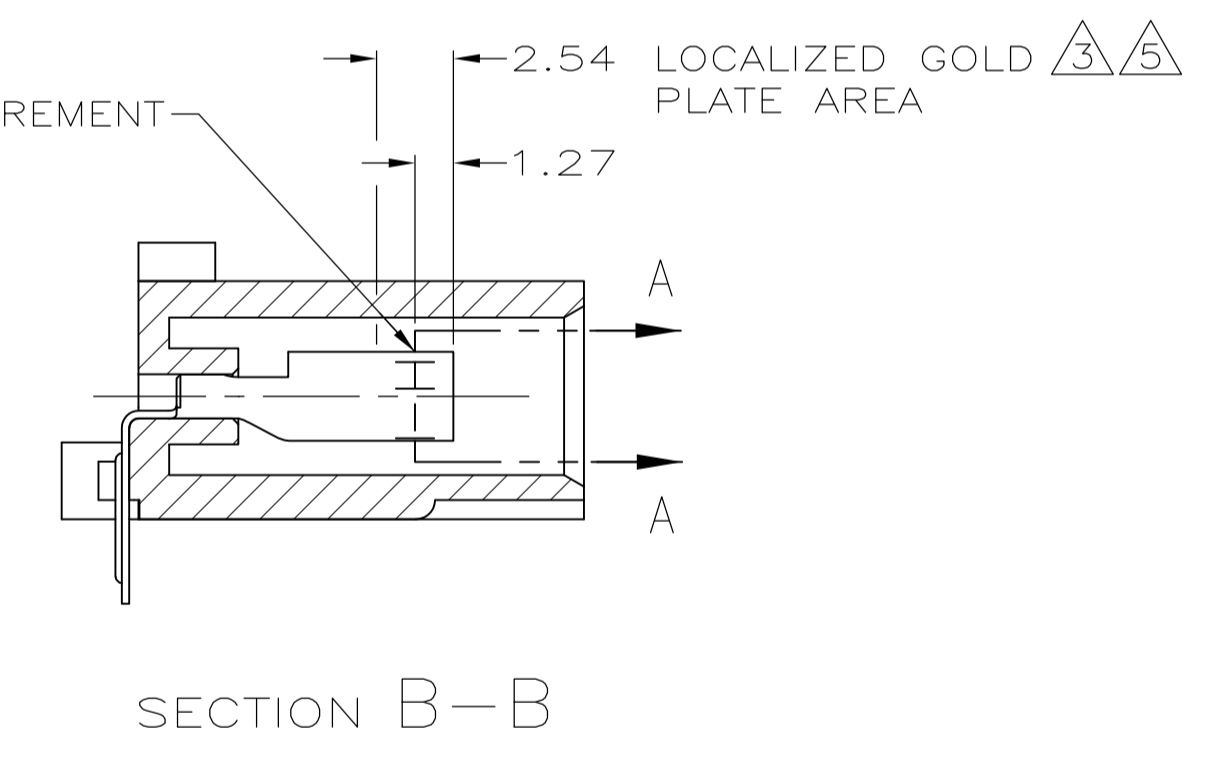
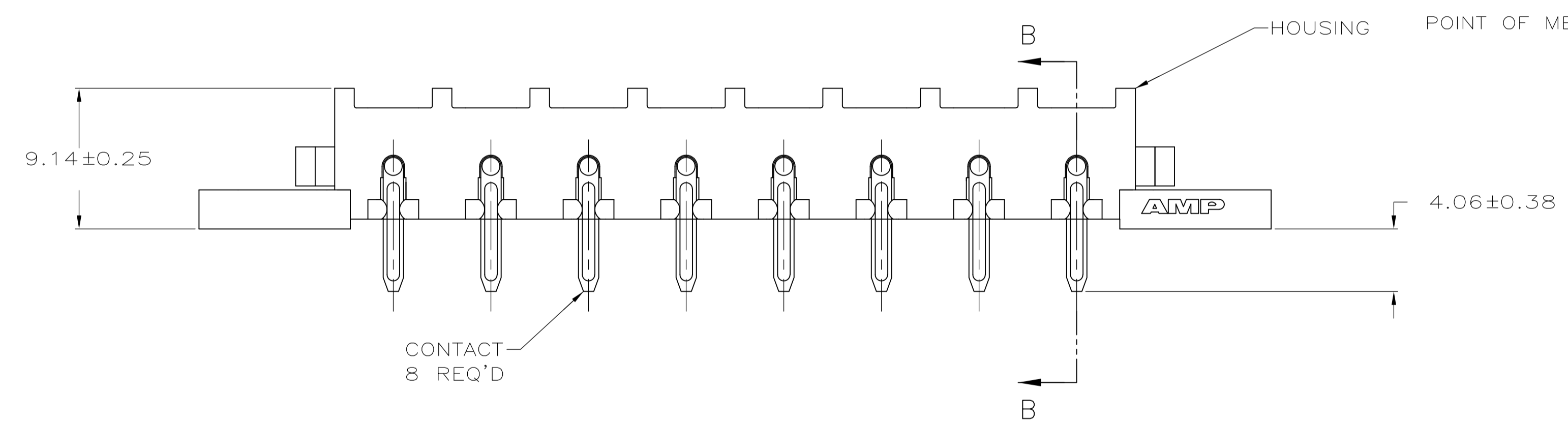
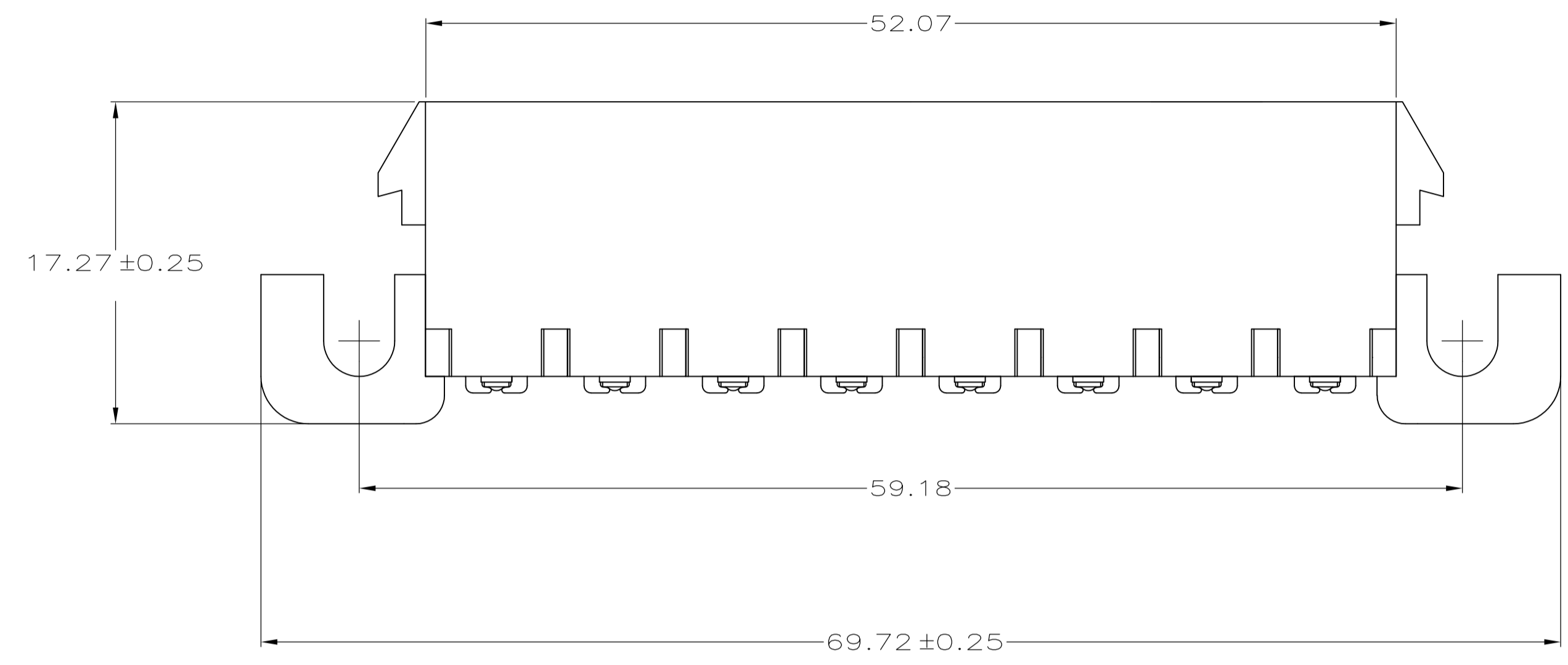


3-DIMENSIONAL MODEL NTS

- 1 PARTS COMPLY WITH AMP SOLDERABILITY SPECIFICATION 109-11-5.
- 2 TOLERANCE NON-CUMULATIVE.
- 3 0.00076 GOLD OVER 0.00127 MIN NICKEL WITH MATTE TIN LEAD ON SOLDER TAIL.
- 4 CIRCUIT IDENTIFICATION CHARACTERS ARE ADJACENT TO THE INDICATED CAVITIES, BUT LOCATION AND ORIENTATION MAY DIFFER FROM PRINT.
- 5 0.00076 GOLD OVER 0.00127 MIN NICKEL WITH MATTE TIN ON SOLDER TAIL.
- 6 SUPERSEDED BY 3-643236-0



RECOMMENDED MOUNTING HOLE PATTERN FOR 1.57 THICK P.C. BOARD

2.03	.080	69.72	2.745
1.91	.075	59.18	2.330
1.57	.062	52.07	2.050
1.52	.060	17.27	.680
1.27	.050	12.83	.505
0.38	.015	9.14	.360
0.25	.010	7.37	.290
0.13	.005	6.35	.250
0.08	.003	4.06	.160
0.00127	.000050	3.81	.150
0.00076	.000030	2.54	.100
MM	IN	MM	IN

CONVERSION TABLE

PH BRZ GOLD	5	NYLON, UL94V-0	3-643236-0
PH BRZ GOLD	3	NYLON, UL94V-0	643236-2
PH BRZ TIN		NYLON, UL94V-0	643236-1
CONTACT		HOUSING	PART NO
DIN K. WHITAKER 21APR2005		TE Connectivity	
CHK S. RIDGILL 21APR2005		NAME	
APVD S. RIDGILL 21APR2005		SIZE	
PRODUCT SPEC		DRAWING NO	
APPLICATION SPEC		00779	
WEIGHT		643236	
CUSTOMER DRAWING		SCALE 4:1 SHEET 1 OF 1 REV D1	

THIS DRAWING IS A CONTROLLED DOCUMENT.	
DIMENSIONS:	TOLERANCES UNLESS OTHERWISE SPECIFIED:
mm	0 PLC ± -
	1 PLC ± -
	2 PLC ± 0.13
	3 PLC ± -
	4 PLC ± -
	ANGLES ± -