

4

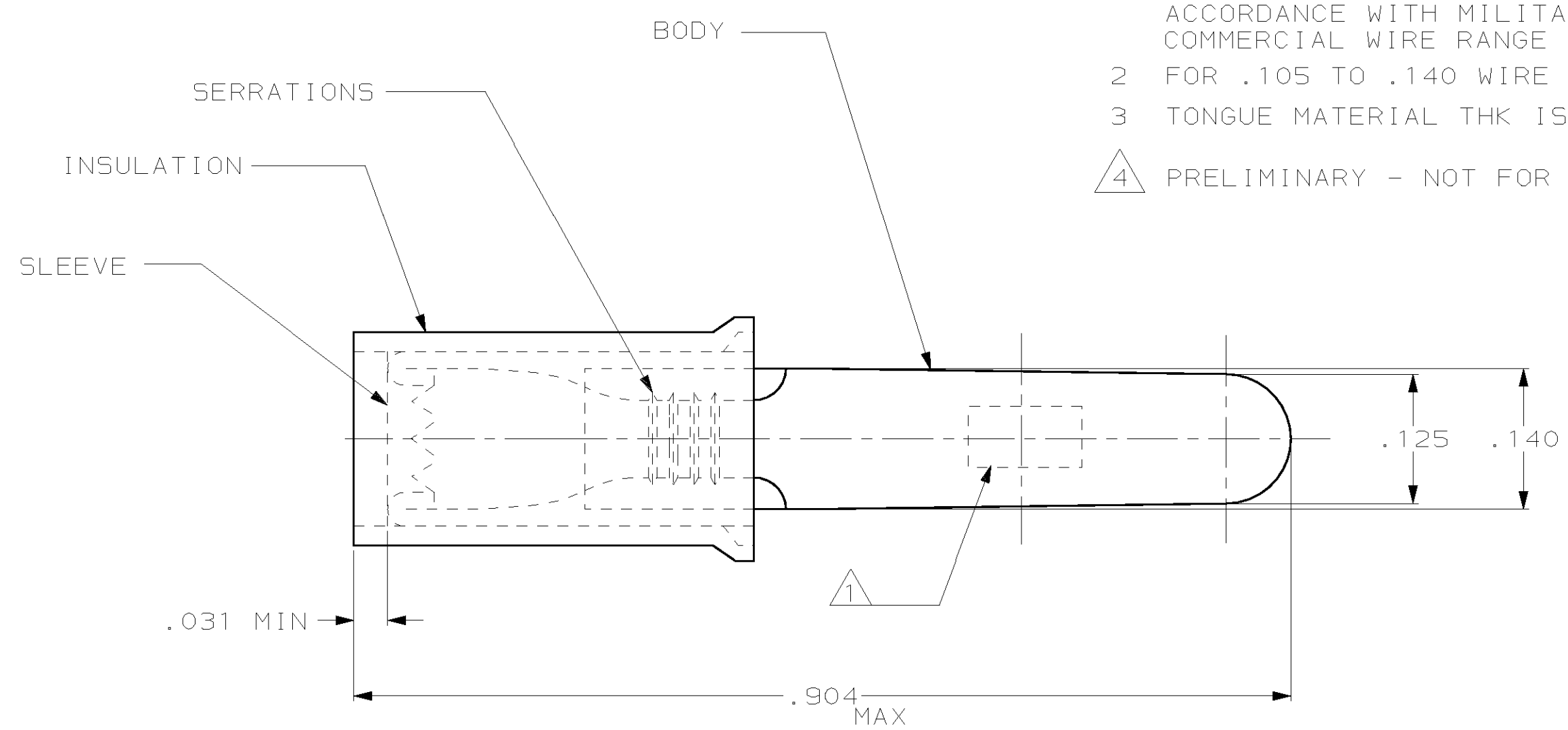
3

2

1

THIS DRAWING IS UNPUBLISHED. RELEASED FOR PUBLICATION ,19 .  
 © COPYRIGHT 19 BY AMP INCORPORATED. ALL RIGHTS RESERVED.

LOC	DIST	REVISIONS					
		P	LTR	DESCRIPTION	DATE	DWN	APVD
G	14		J	REDRAWN PER 0G3A-0249-01	03APR01	JR	TM



- 1 STAMPED AMP 22-18\*, APPROX AS SHOWN. 22-16 TERMINALS ARE STAMPED 22-18 IN ACCORDANCE WITH MILITARY SPEC MIL-T-7928 COMMERCIAL WIRE RANGE 22-16
- 2 FOR .105 TO .140 WIRE INSULATION DIA.
- 3 TONGUE MATERIAL THK IS .031±.002.
- 4 PRELIMINARY - NOT FOR PRODUCTION

100	LOOSE PIECE, BOX	8-34294-1	BODY: COPPER PER ASTM B152 TIN PLATE PER ASTM B545	
5000	ON TAPE, REEL	2-34294-1	SLEEVE: COPPER PER ASTM B152 TIN PLATE PER ASTM B545	
1000	LOOSE PIECE	34294	INSULATION: NYLON, COLOR - RED	
QTY	PACKAGE TYPE	PART NO.	MATERIAL & FINISH	
THIS DRAWING IS A CONTROLLED DOCUMENT.		DWN JR RUTH 03APR01	AMP Incorporated Harrisburg, PA 17105-3608	
		CHK MS FEHER 03APR01		
DIMENSIONS: INCHES		TOLERANCES UNLESS OTHERWISE SPECIFIED:	NAME WIRE TERMINAL, PIDG, RECTANGULAR TAB, WIRE SIZE: 22-16	
		0 PLC ±-	PRODUCT SPEC	
		1 PLC ±-	APPLICATION SPEC	
MATERIAL -		2 PLC ±-	SIZE CAGE CODE DRAWING NO RESTRICTED TO	
		3 PLC ±.008	A3 00779 C- 34294	
		4 PLC ±-	SCALE 8:1 SHEET 1 OF 1 REV J	
		ANGLES ±5°		
		FINISH -		
			CUSTOMER DRAWING	