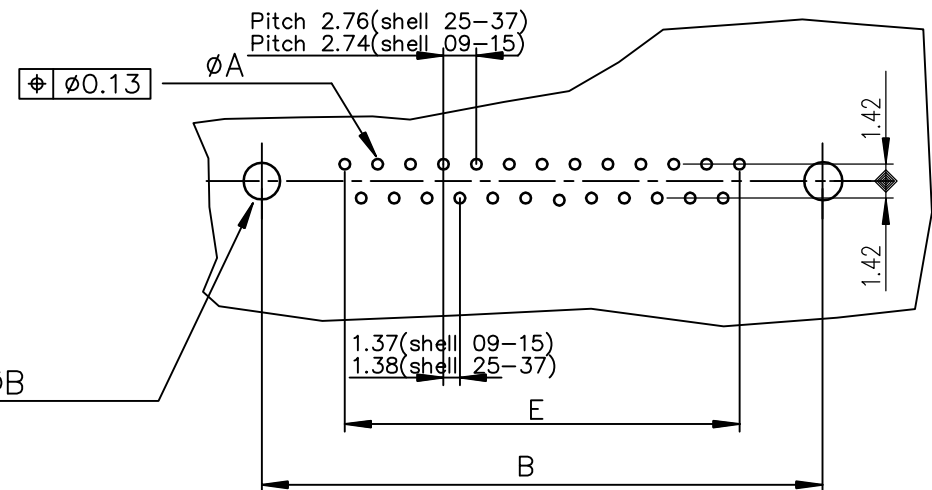


SHELL	A±0.38	B±0.12	C±0.10	D±0.25	E±0.07	PART NUMBER
09	30.81	24.99	16.96	16.21	10.96	D09S91C.PX3FLF
15	39.14	33.32	25.18	24.54	19.18	D15S91C.PX3FLF
25	53.03	47.04	39.12	38.25	33.12	D25S91C.PX3FLF
37	69.32	63.50	55.68	54.71	49.68	D37S91C.PX3FLF

Protection: 4 --> Flash Au  
6 --> 0.76 μ Au

PC card drilling dimensions(after plating)  
(thickness ≤ 3.20±0.30mm)



Notes:

1) The nut can protrude above the surface of insulator but maintaining the footprint dimension 6.0±0.15 mm.

**NOTE 1**

**MATERIAL and PLATINGS**

Contacts: GXT/gold over nickel on active area  
mat pure tin over nickel on termination  
Shells: steel,nickel 2 to 9 μ over copper 3 to 5 μ plating  
Nuts: steel,nickel 2 to 4 μ plating  
Grounding device: brass, 1 μ min nickel

**NOTE 2**

For other general characteristics,except characteristics in note 1 see drawing C01-8646-0001

mat'l. code		surface		tolerance		projection		product family		
-		ISO 1302 ✓		ISO 406 ISO 1101				D-SUB		
ltr	ecn no	dr	date	tolerances unless otherwise specified				title		
D	ELX-I-22878	AB	2015/01/06	angles	linear	MM		FEMALE DELTA-D EUROPE RA PRESS FIT		
				0°±2'		scale 2:1		dwg no		
				dr	M.PESSON	2008/09/29		sheet 1 of 1		
				enr	ALIAS BABU	2015/01/06		size		
				chr	MITHUN PAUL	2015/01/06		A3		
				app	BIJU K PAUL	2015/01/06		type		
sheet index	revision sheet	D	1							