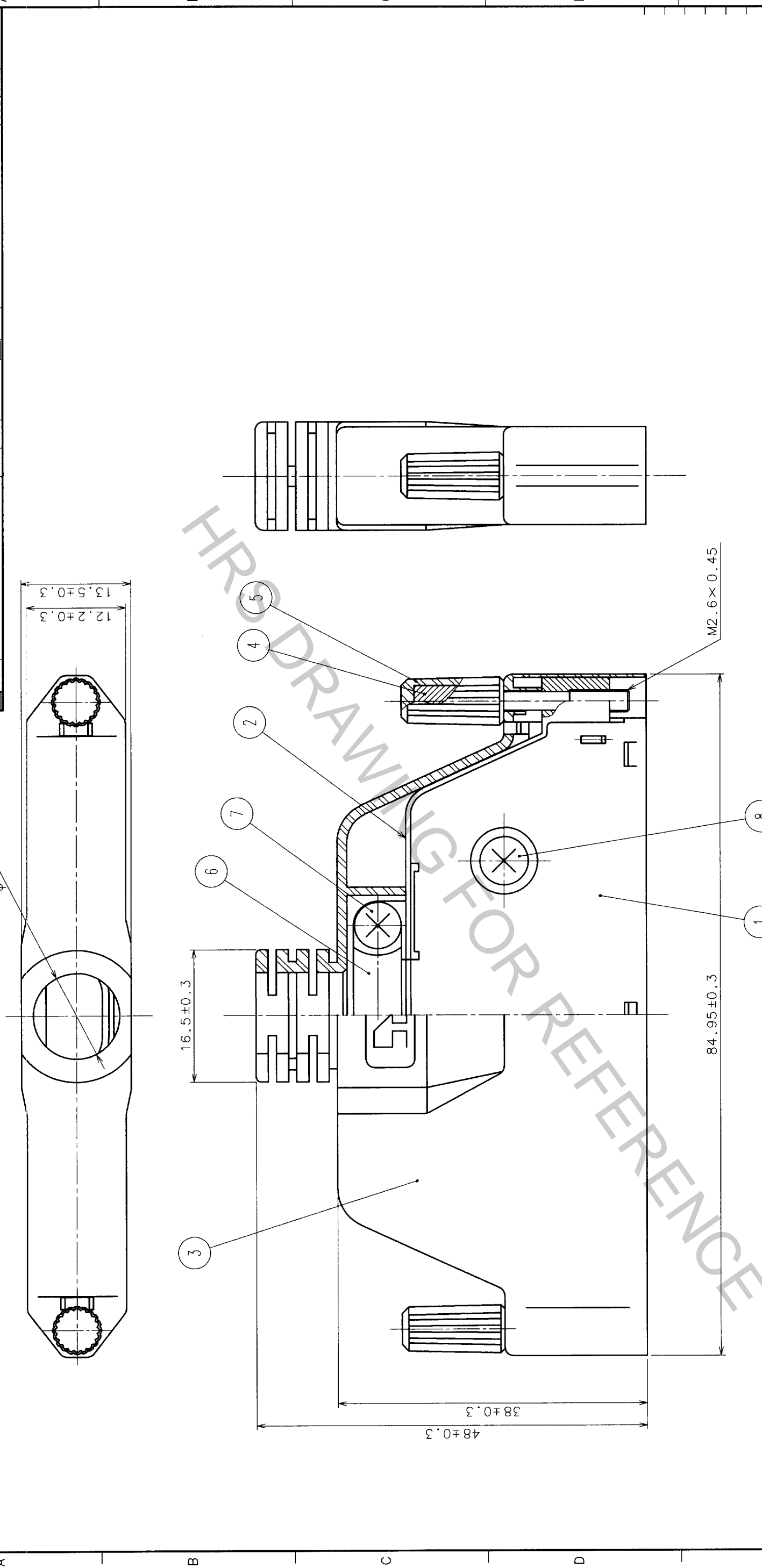


COUNT	DESCRIPTION OF REVISIONS	BY	CHKD	DATE	COUNT	DESCRIPTION OF REVISIONS	BY	CHKD	DATE
△					△				
△					△				
△					△				



NO.	MATERIAL	FINISH, REMARKS	NO.	MATERIAL	FINISH, REMARKS
4	STEEL	NICKEL PLATING	8	BRASS	NICKEL PLATING
3	POLYCARBONATE	(DARK GRAY) UL94V-2	7	BRASS	NICKEL PLATING
2	ZINC ALLOY DIE CASTING		6	STAINLESS STEEL	
1	STAINLESS STEEL		5	ABS	(DARK GRAY) UL94V-HB

CODE NO. (OLD)	DRAWN	DESIGNED	CHECKED	APPROVED	RELEASED
	<i>T. Tsunaguchi</i>	<i>S. Nada</i>	<i>Y. Enami</i>	<i>H. Miura</i>	
	02-04-05	02-04-05	02-04-08	02-04-09	
	PART NO. DX30M-100-CV1		DRAWING NO. EDC3-043135		
	SCALE 2:1		UNITS mm		
	HIROSE ELECTRIC CO., LTD		CL230-5093-7		

NOTES 1. COMPONENTS OF REF. NO. ①②⑥⑦ AND ⑧ ARE APPENDED.

TO	Q1		
----	----	--	--