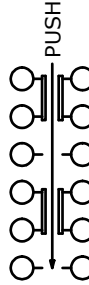
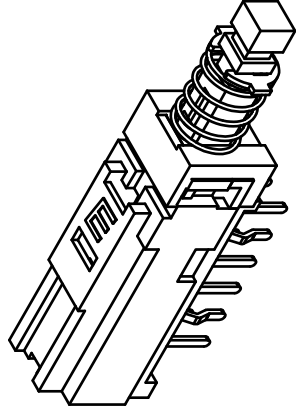


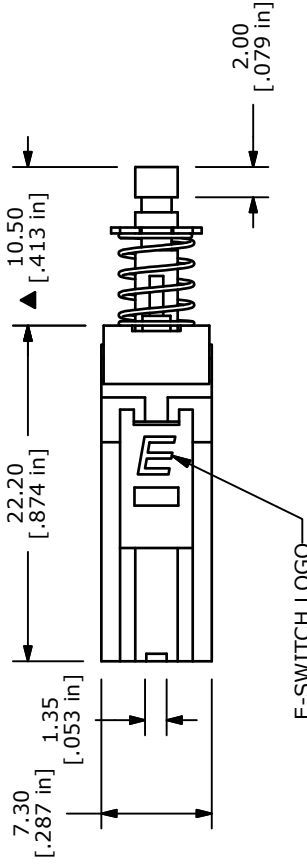
P.C. MOUNTING



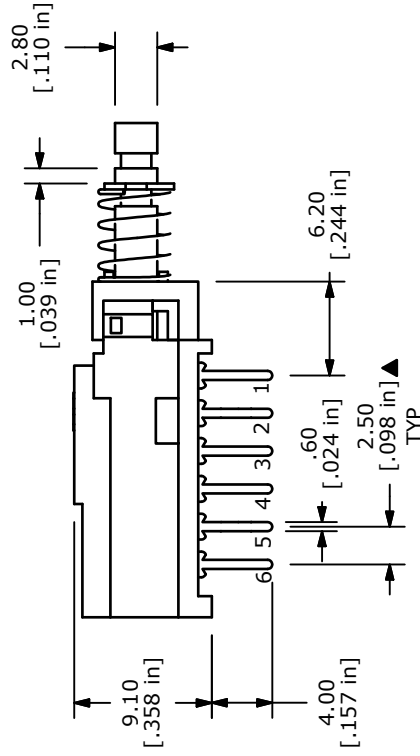
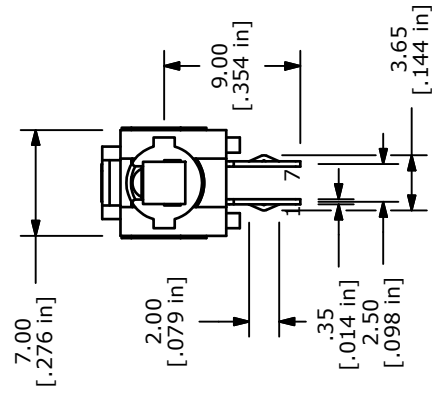
CIRCUIT DIAGRAM



ISOMETRIC



E-SWITCH LOGO



- NOTES:
1. ALL DIMENSIONS IN MM [INCH]
 2. GENERAL TOLERANCE: X.X=±0.4
X.XX=±0.25
 3. TERM. NOS. FOR REFERENCE ONLY.
 4. RATING 0.1A @30V DC
 - ▲ 5. MATERIALS:
CONTACT/TERMINALS: SILVER PLATE
HOUSING: PBT UL94V0
BASE: PA66 UL94V0
ACTUATOR: PA66 UL94V0
 6. CONTACT RESISTANCE: 100 MILLI-OHM (INITIAL)
 7. TIMING: NON-SHORTING
 8. OPERATING FORCE: 280± 50GF
 - ▲ 9. TRAVEL: LATCHING
2MM TO LOCK
3MM OVERALL
 10. ELECTRICAL LIFE: 10000 CYCLES
 11. OPERATING TEMP: -20°C TO +70°C
 12. ▲ DENOTES CRITICAL PARAMETER.
 13. 2002/95/EC (ROHS) COMPLIANT



TITLE PBH4UEESNPAGV

B	19671	UPDATE CIRCUIT DIAGRAM	2/10/11	BGL
A	17461	RELEASED FOR PRODUCTION	7/19/07	BF
REV	PCR NO	DESCRIPTION	DATE	BY

THE INFORMATION CONTAINED IN THIS DOCUMENT IS PROPRIETARY TO E-SWITCH AND IS NOT TO BE COPIED OR TRANSFERRED

SCALE 2:1

DATE 7/19/2007

DR BF

DWG

Q960035

REV B