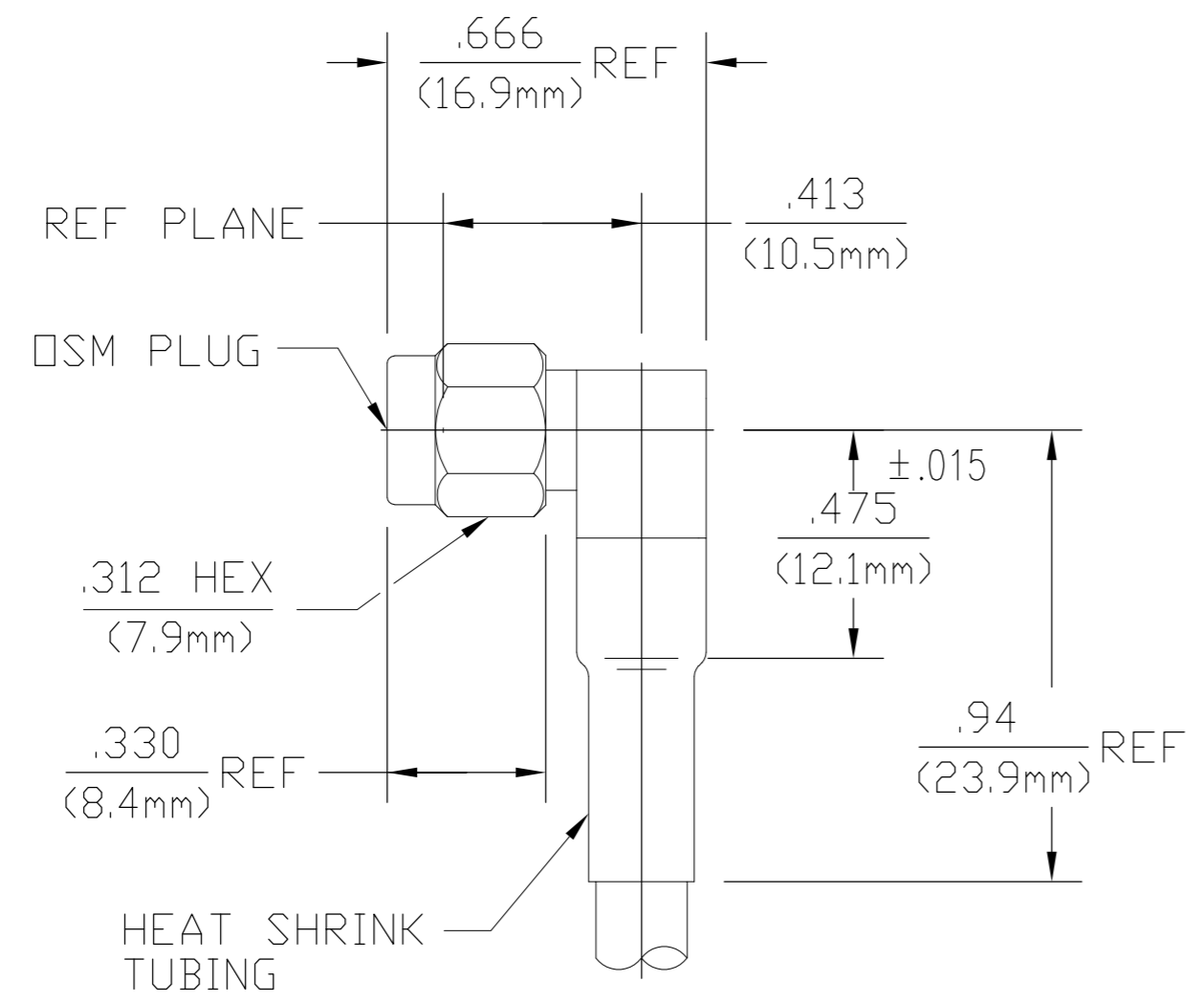


THIS DRAWING IS UNPUBLISHED. RELEASED FOR PUBLICATION
 © COPYRIGHT BY TYCO ELECTRONICS CORPORATION. ALL RIGHTS RESERVED.

DESIGNED FOR USE WITH
 RG-55/U, 142, 223 & 400
 FLEXIBLE CABLES
 CABLE ENTRY DIAMETER
 MINIMUM

CONTACT	.040
HOUSING	.121

LOC	DIST	REVISIONS			
P	LTR	DESCRIPTION	DATE	DWN	APVD
	B	REV PER ECO 07-004710	3/9/2007	DW	KW



1052072-1
 PART
 NUMBER

COMPONENT	MATERIAL	FINISH
HOUSING COUPLING NUT CAP	STAINLESS STEEL PER ASTM-A484 AND ASTM- A582, TYPE 303	PASSIVATE PER ASTM-A380
DIELECTRIC	TFE FLUOROCARBON PER ASTM-D-1457	N/A
CENTER CONTACT	BERYLLIUM COPPER PER ASTM B 196, ALLOY C17300, CONDITION H OR BRASS PER ASTM-B-16	GOLD PLATE PER MIL-G-45204 OVER NICKEL PLATE PER QQ-N-290
RETAINING RING	BERYLLIUM COPPER PER ASTM B 194, ALLOY C17200, CONDITION H	N/A
GASKET	SILICONE RUBBER PER ZZ-R-765	N/A
SHRINK TUBING	HEAT SHRINKABLE POLYOLEFIN COMPOUND MIL-I-23053/4	N/A
FERRULE	COPPER OR BRASS ALLOY ROCKWELL F65 MAXIMUM	GOLD PLATE PER MIL-G-45204 OVER COPPER PLATE PER MIL-C-14550

ELECTRICAL	MECHANICAL	ENVIRONMENTAL
Nominal Impedance (Ohms) 50	Interface Dimensions MIL-STD-348, Fig. 310.1	Temperature Rating -65°C TO 125°C
Frequency Range (GHz) Max operating frequency of cable per MIL-C-17	Recommended Mating Torque 7 to 10 Inch-Pounds	Vibration MIL-STD-202, Method 204, Cond. D
Voltage Rating (VRMS MIN) 335 @ Sea Level	Mating Characteristics: Insertion (MAX Lbs) N/A Withdrawal (MIN Oz) N/A	Shock MIL-STD-202, Method 213, Cond. I
VSWR 1.15+.02f(GHz)	Force to Engage and Disengage (In/Lbs MAX) 2.0	Thermal shock MIL-STD-202 Method 107, Cond. B except HIGH TEMP SHALL BE 115°C
Insertion Loss(dB MAX) .07 f(GHz)	Center Contact Captivation: Axial (Lbs) 6.0 Radial (Inch-Ounces) 4.0	Moisture Resistance MIL-STD-202, Method 106, except step 7b (vibration) shall be omitted
Rf Leakage (dB MIN) -[60-f(GHz)]	Cable Retention Axial (Lbs) 40 Min(45 Min when used with double braid cable)	Corrosion MIL-STD-202, Method 101, Cond. B, 5% salt spray
Corona, 70,000 Ft (VRMS MIN) 250 D.W.V.	Torque (Inch Ounces) N/A	
(VRMS MIN) 1000 @ Sea Level	Weight (Grams) 4.8	
Contact Resistance Center Contact (Milliohms MAX) 3.0 Outer Contact (Milliohms MAX) 2.0 Cable To Hsg. (Milliohms MAX) 0.5	Hermetic Seal N/A	
RF High Potential (VRMS MIN @ 5 MHz) 670 @ Sea Level		
I.R. (Megohms Min) 10,000		

THIS DRAWING IS A CONTROLLED DOCUMENT.

DWN	JB	2-4-76
CHK	RMF	2/9/76
APVD	BWC	2-11-76

tyco Tyco Electronics Corporation
Electronics Harrisburg, PA 17105-3608

NAME: OSM RIGHT ANGLE CABLE PLUG-CRIMP ATTACHMENT

SIZE: A2 CAGE CODE: 00779 DRAWING NO: 1052072 RESTRICTED TO: -

MATERIAL: - FINISH: - WEIGHT: - SCALE: 2:1 SHEET: 1 of 1 REV: B

CUSTOMER DRAWING