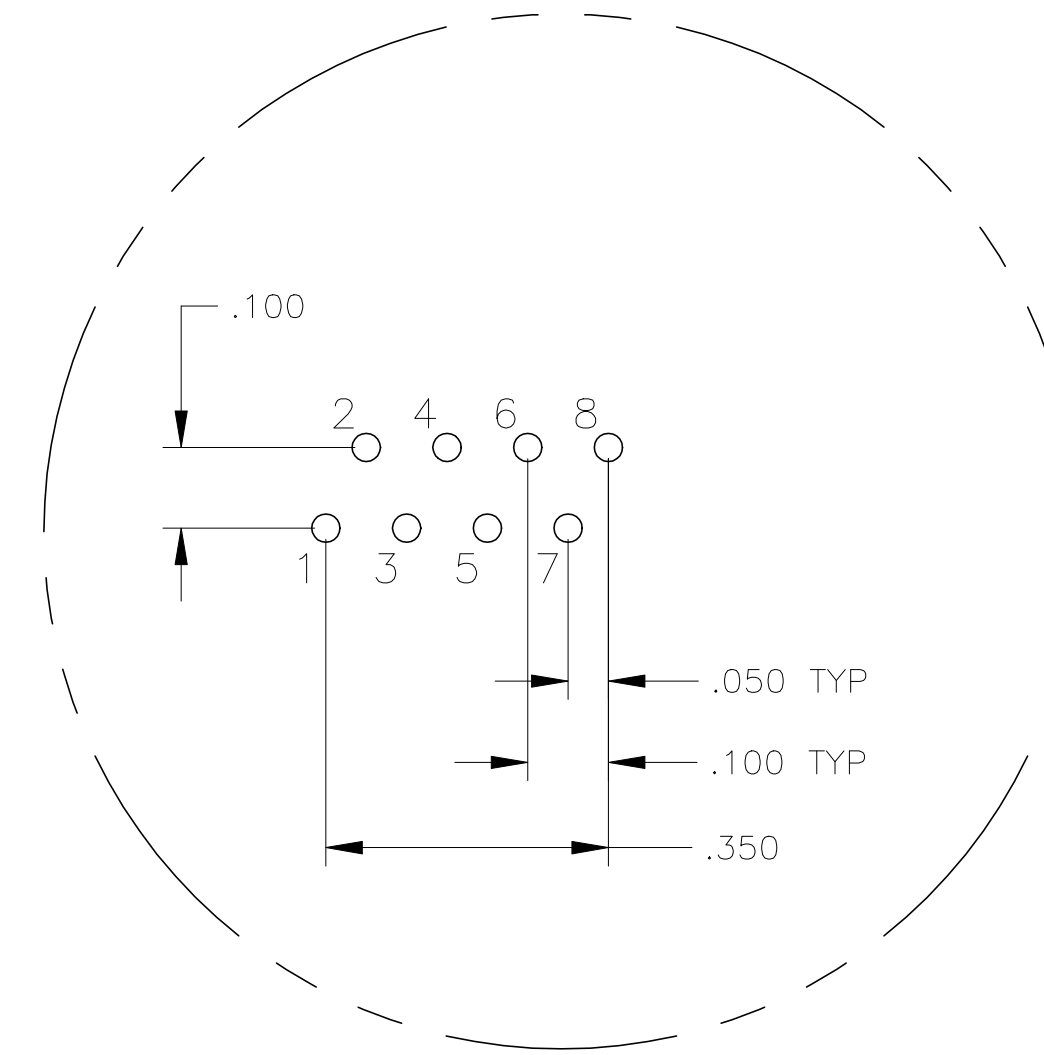
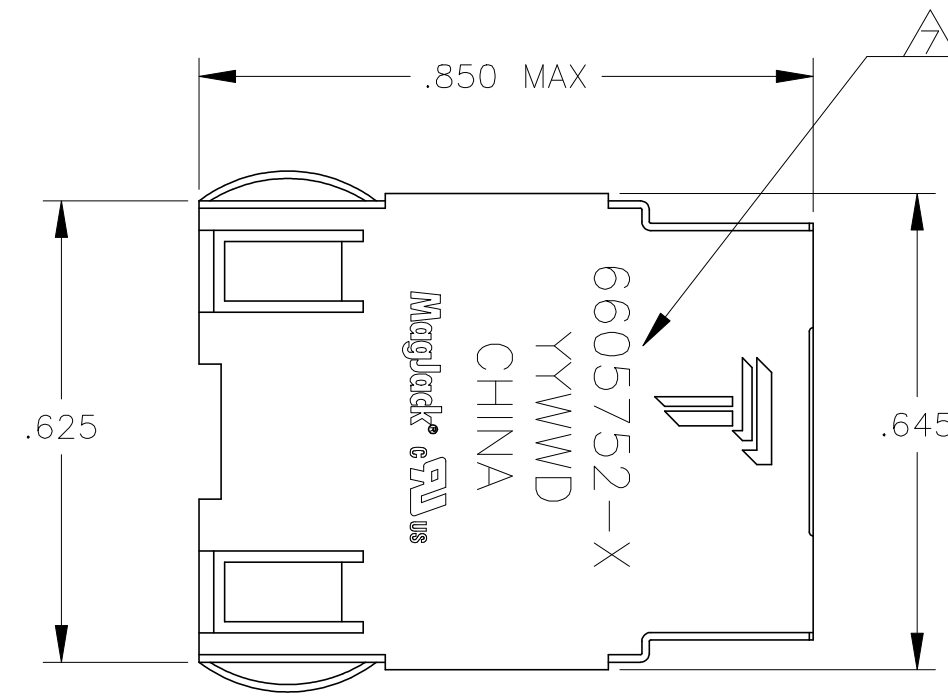


THIS DRAWING AND THE SUBJECT MATTER SHOWN THEREON ARE CONFIDENTIAL AND THE PROPERTY OF BEL/STEWART/TRP CONNECTOR AND SHALL NOT BE REPRODUCED, COPIED, OR USED IN ANY MANNER WITHOUT THE WRITTEN CONSENT OF TRP CONNECTOR.

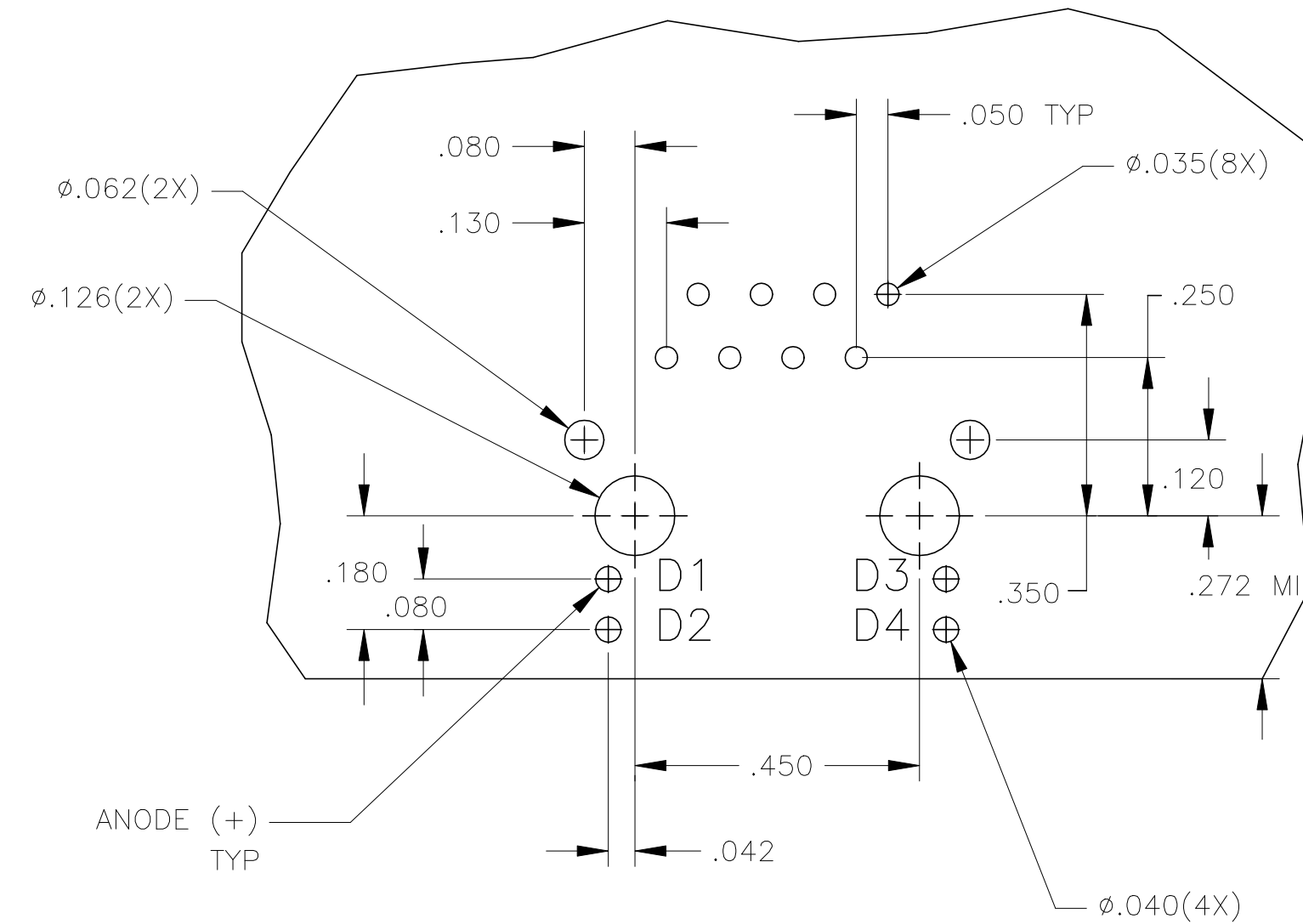
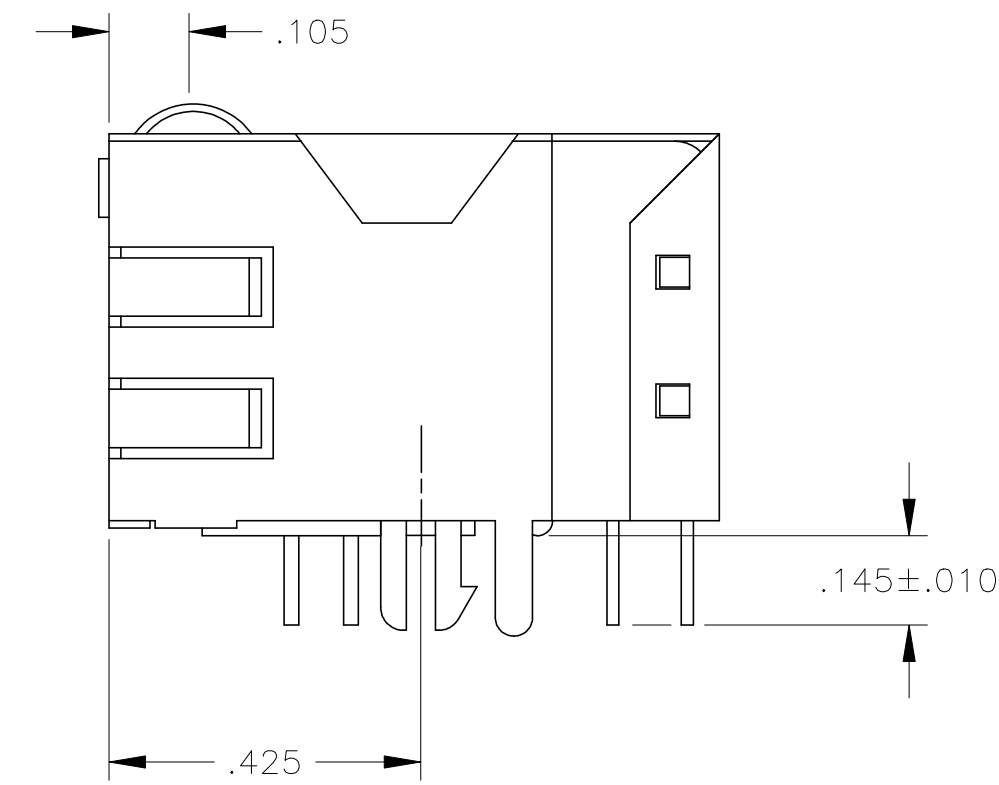
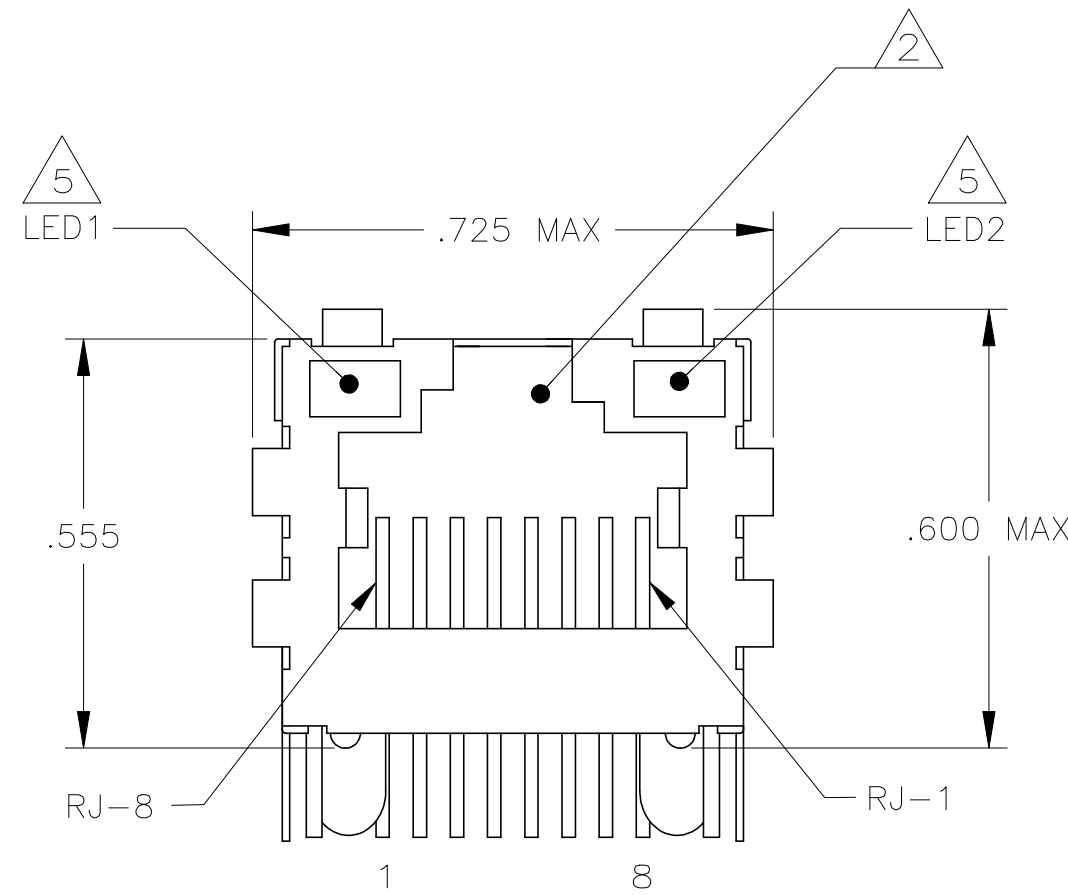
PRODUCT MAY BE PROTECTED BY ONE OR MORE OF THE FOLLOWING US PATENTS:
 5736910 5939955 6425781 6428361 6554638 6840817 7123117
 7429195 7717749 7808751 6217391 6149050 7924130

REVISIONS				
P	REV	DESCRIPTION	DATE	APPD
F		EC-1411035 COMPANY LOGO CHANGE	05JAN2015	HY KZ

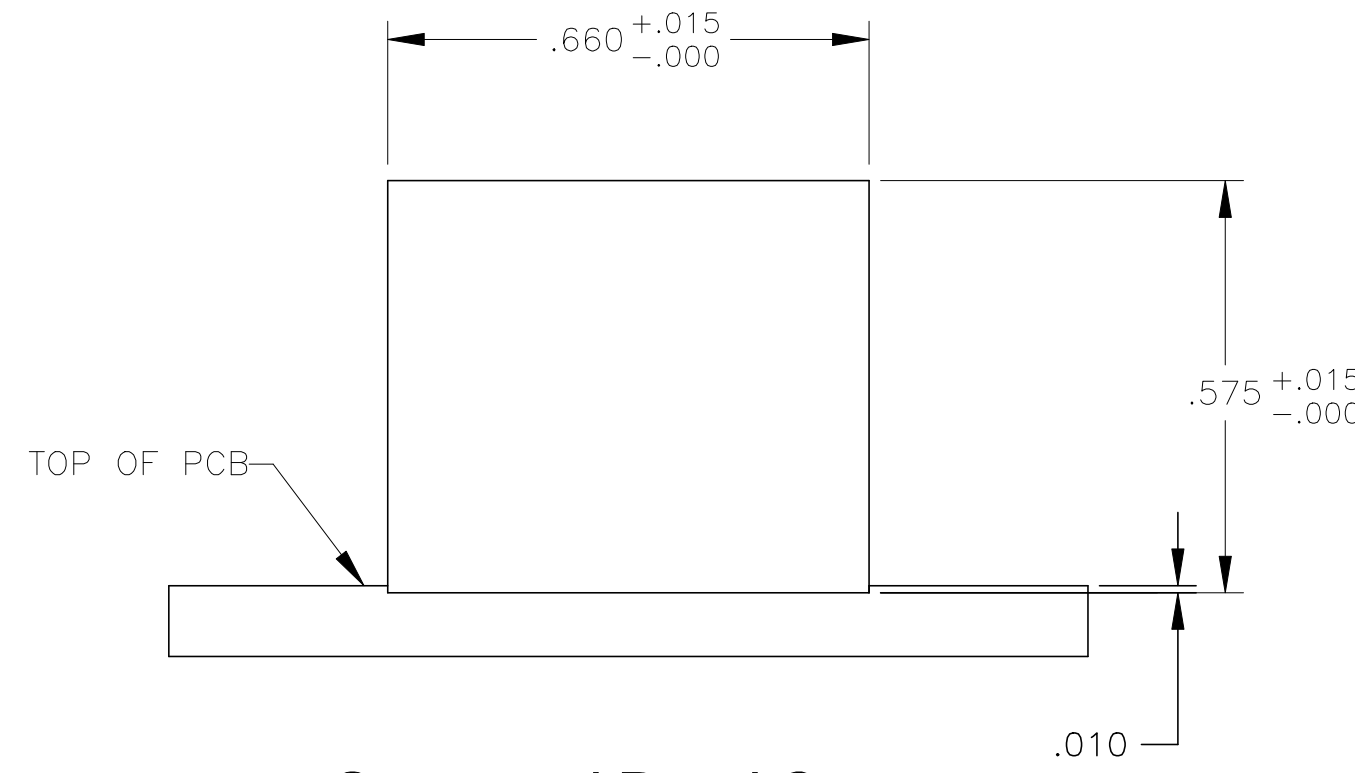
MECHANICAL:



Pin Designations

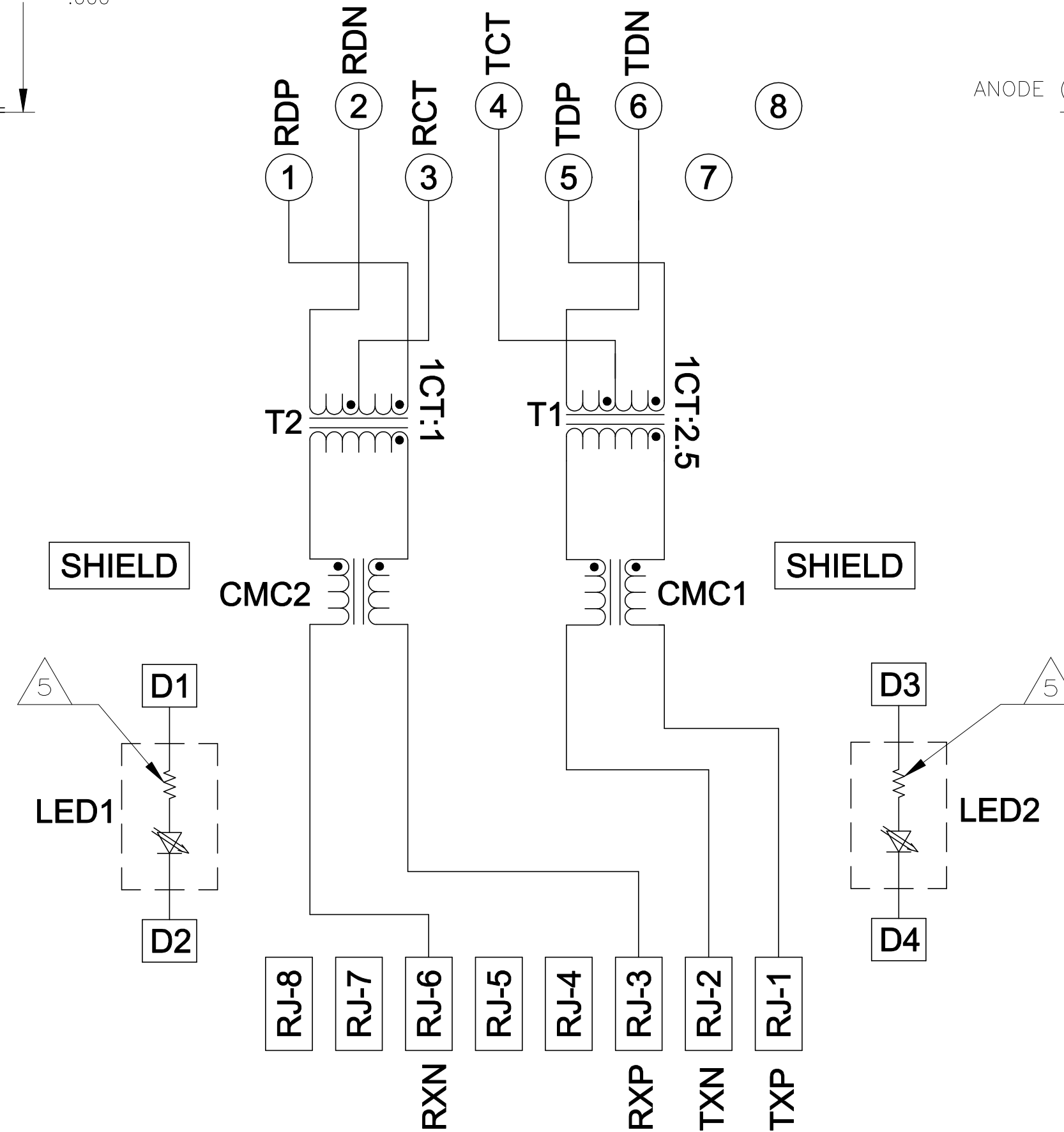


Suggested PCB Layout (Component Side)



Suggested Panel Cutout

724 SERIES MAGNETIC CIRCUIT



MATERIALS:

- HOUSING - THERMOPLASTIC PET POLYESTER FLAMMABILITY RATING UL 94V-0.
- SHIELD - .010" THICK, C26800 BRASS PREPLATED WITH 30μINCH MIN SEMI-BRIGHT NICKEL, SOLDER TABS POST DIPPED WITH 100μINCH MIN SAC SOLDER.
- MOD JACK CONTACTS - 0.0157" x 0.018" PHOSPHOR BRONZE, 50μINCH MIN OVERALL NICKEL UNDERPLATE, WITH SELECT 50μINCH MIN HARD GOLD FINISH PLATE. SOLDER TAILS WITH 100μINCH MIN MATTE TIN AND/OR SAC SOLDER DIP.
- LIGHT EMITTING DIODE(LED) - DIFFUSED EPOXY LENS, .020" x .020" CARBON STEEL WIREFRAME LEADS PRE-PLATED WITH 80μINCH SILVER OVER 40μINCH NICKEL UNDERPLATE OVER 40μINCH COPPER UNDERPLATE, POST-PLATED WITH 100μINCH MIN MATTE TIN AND/OR SAC SOLDER DIP OR PURE TIN SOLDER DIP.

RJ45 JACK CAVITY CONFORMS TO FCC RULES AND REGULATIONS PART 68, SUB PART F.

MAGNETICS

- APPLICATION: 10 BASE-T
- IMPEDANCE: 100 OHMS
- TURNS RATIO (CHIP:CABLE): TX = 1:2.5 RX = 1:1
- TRANSMIT OPEN CIRCUIT INDUCTANCE (OCL): 14.0μH MIN @ 100kHz, 0.1VRMS
- LEAKAGE INDUCTANCE (LL): 0.30μH MAX @ 100kHz, 0.1VRMS
- INTERWINDING CAPACITANCE (CWW): 15pF MAX @ 100kHz, 0.1VRMS
- ISOLATION VOLTAGE:1500VAC (MAX) AT 60Hz FOR 60 SECS.

OPERATING TEMPERATURE: FROM 0°C TO +70°C.

THE 250 OHM LED RESISTORS ARE OPTIONAL, PLEASE SEE CHART FOR PRESENCE OR ABSENCE OF LED RESISTORS IF THE LED WITHOUT 250 OHM RESISTORS, LED IS DRIVEN WITH CONSTANT CURRENT AT APPROX 20mA.LED COLOR:

- DOMINANT WAVELENGTH (λD): GREEN 568 nm TYP. @ IF=20mA
- FORWARD VOLTAGE (VF):GREEN 2.2VTYP. @ IF=20mA
- DOMINANT WAVELENGTH (λD): YELLOW 588 nm TYP. @ IF=20mA
- FORWARD VOLTAGE (VF):YELLOW 2.1VTYP. @ IF=20mA.

IF THE LED WITH 250 OHM RESISTORS,LED IS DRIVEN WITH 5V VOLTAGE AND THE MAX OPERATING CURRENT IS 20mA. LED COLOR

- DOMINANT WAVELENGTH (λD): GREEN 568 nm TYP. @ VF=5V
- FORWARD CURRENT (IF): GREEN 12 mA TYP. @ VF=5V
- DOMINANT WAVELENGTH (λD): YELLOW 588 nm TYP. @ VF=5V
- FORWARD CURRENT (IF): YELLOW 13 mA TYP. @ VF=5V

INDICATED CONNECTIONS ARE FOR NIC CONFIGURATION

TRP CONNECTOR, PART NUMBER, DATE CODE, COUNTRY OF ORIGIN AND AGENCY APPROVAL MARKING IN APPROXIMATE LOCATION SHOWN.

THESE PARTS ARE RECOMMENDED FOR WAVE SOLDERING PROCESS,PREHEAT TEMPERATURE IS 120°C TO 160°C, 120 SECONDS TO 180 SECONDS,PEAK WAVE SOLDERING TEMPERATURE IS 260°C MAX,10 SECONDS MAX.

YES	GREEN	YES	GREEN	1-6605752-1
NO	GREEN	NO	GREEN	6605752-7
YES	GREEN	YES	YELLOW	6605752-1
LED RESISTOR	LED1 5	LED RESISTOR	LED2 5	PART NUMBER

THIS DRAWING IS A CONTROLLED DOCUMENT.		28FEB2005 L. VARELA -- DOCKS		 TRP CONNECTOR DONGGUAN CHINA
DIMENSIONS: INCHES		28FEB2005 D. FAROLE		
0 PLC ± - 1 PLC ± - 2 PLC ± .010 3 PLC ± .005 4 PLC ± - ANGLES ± -		MODEL NAME MAGJACK SINGLE NON-POE		DESC 1X1 724 10BASE-T TAB UP W/ LED
PRODUCT SPEC 108-2100	APPLICATION SPEC -	SIZE A1	CAGE CODE -	DRAWING NO C=6605752
CUSTOMER DRAWING		SCALE NTS	SHEET 1	OF 1
				REV F