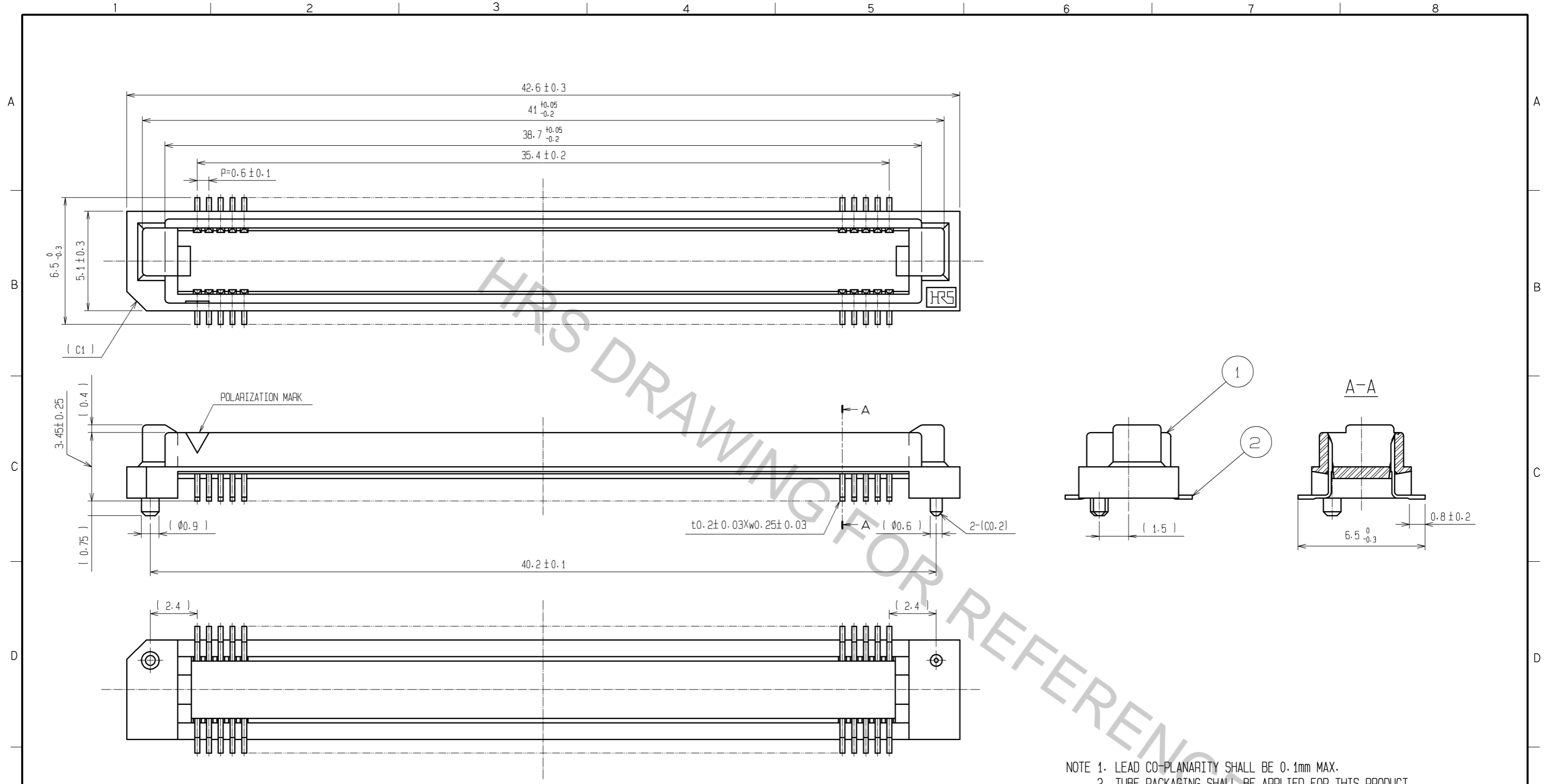
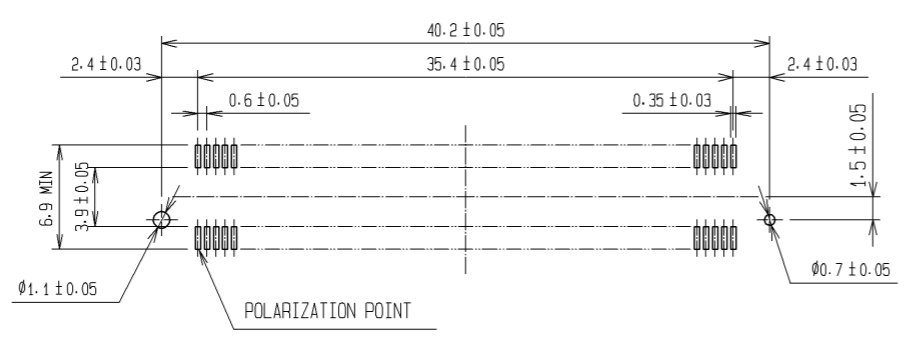


Apr.1.2017 Copyright 2017 HIROSE ELECTRIC CO., LTD. All Rights Reserved.



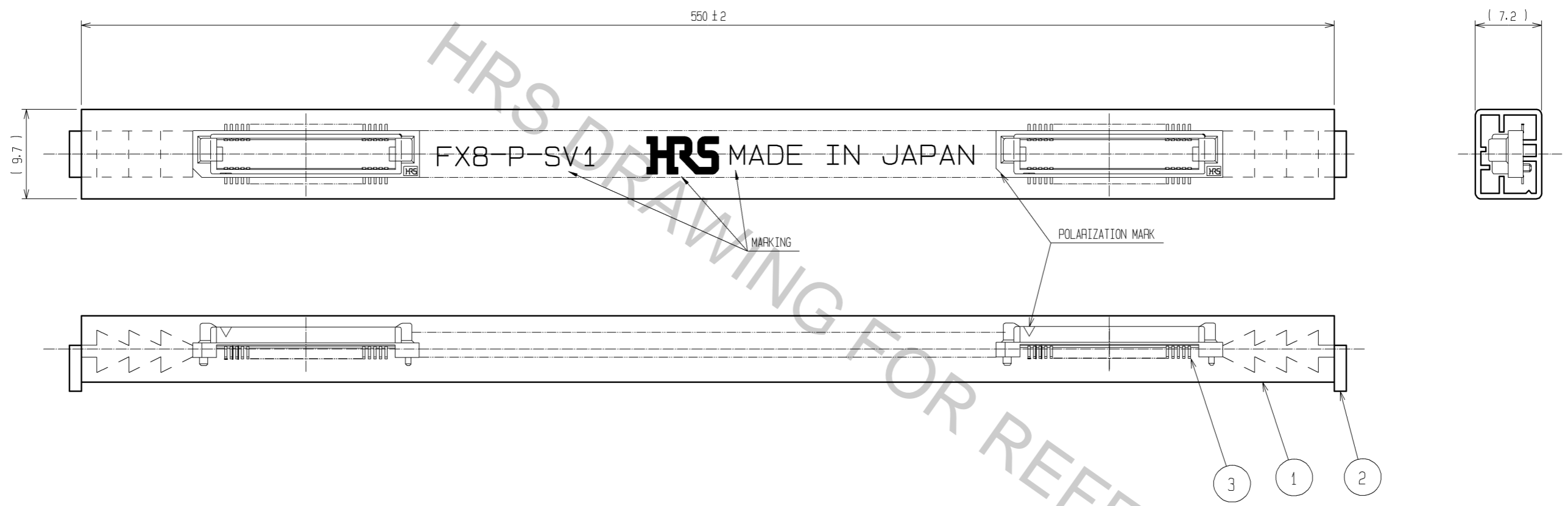
- NOTE 1. LEAD CO-PLANARITY SHALL BE 0.1mm MAX.
 2. TUBE PACKAGING SHALL BE APPLIED FOR THIS PRODUCT. SEE NEXT PAGE FOR DETAILS.
 3. FOR MODIFICATION, ETC., PREVENTIVE HOLE FOR SINK MARK MAY BE ADDED ACCORDING TO CIRCUMSTANCES.
 4. THE DIMENSIONS IN PARENTHESES ARE FOR REFERENCE.

RECOMMENDED P.C.B LAND PATTERN (MOUNT SIDE) (2:1)



1	PPS	LIGHT BROWN (UL94V-0)	2	PHOSPHOR BRONZE	CONTACT AREA:GOLD 0.1μm min. LEAD AREA:TIN PLATING 1μm min. UNDER PLATING:NICKEL 1μm min.		
NO.	MATERIAL	FINISH . REMARKS	NO.	MATERIAL	FINISH . REMARKS		
UNITS mm		SCALE 5 : 1	COUNT △	DESCRIPTION OF REVISIONS	DESIGNED	CHECKED	DATE
HRS HIROSE ELECTRIC CO., LTD.		APPROVED : HS. OKAWA	07.03.23	DRAWING NO. EDC3-150572-21			
		CHECED : HS. OZAWA	07.03.22	PART NO. FX8-120P-SV1(91)			
		DESIGNED : KT. DOI	07.03.22	CODE NO. CL578-0046-4-91			
		DRAWN : TS. MIYAKI	07.03.20				

DRAWING FOR PACKING



NOTE 1. 1 TUBE : 12 CONNECTORS.
 2. THE DIMENSIONS IN PARENTHESES ARE FOR REFERENCE.

1		POLYVINYL CHLORIDE TUBE		3 (CONNECTOR)					
2		POLYVINYL CHLORIDE STOPPER							
NO.	MATERIAL	FINISH	REMARKS	NO.	MATERIAL	FINISH	REMARKS		
UNITS	mm	SCALE	FREE	COUNT	DESCRIPTION OF REVISIONS		DESIGNED	CHECKED	DATE
HIROSE ELECTRIC CO., LTD.		APPROVED : HS. OKAWA		07.03.23	DRAWING NO.		EDC3-150572-21		
		CHECKED : HS. OZAWA		07.03.22	PART NO.		FX8-120P-SV1(91)		
		DESIGNED : KT. DOI		07.03.22	CODE NO.		CL578-0046-4-91		
		DRAWN : TS. MIYAKI		07.03.20			2/2		