

Customer Information Sheet

DRAWING No.: S1741-46R

SHEET 2 OF 2

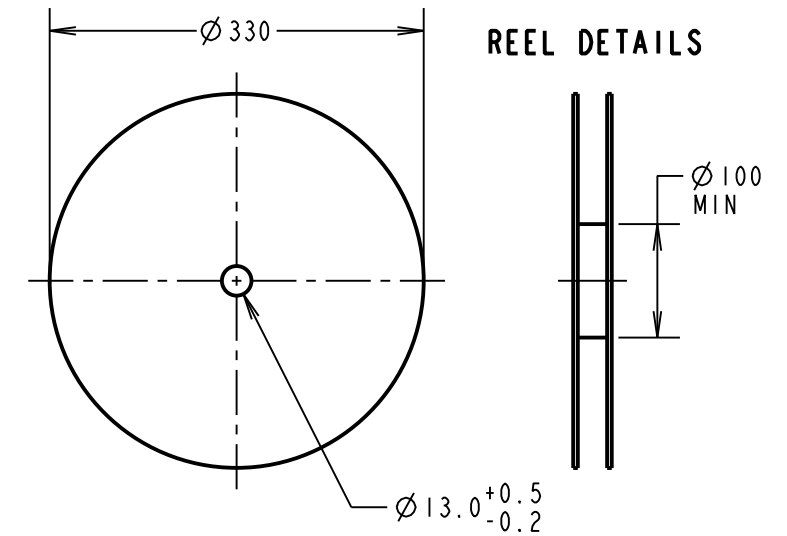
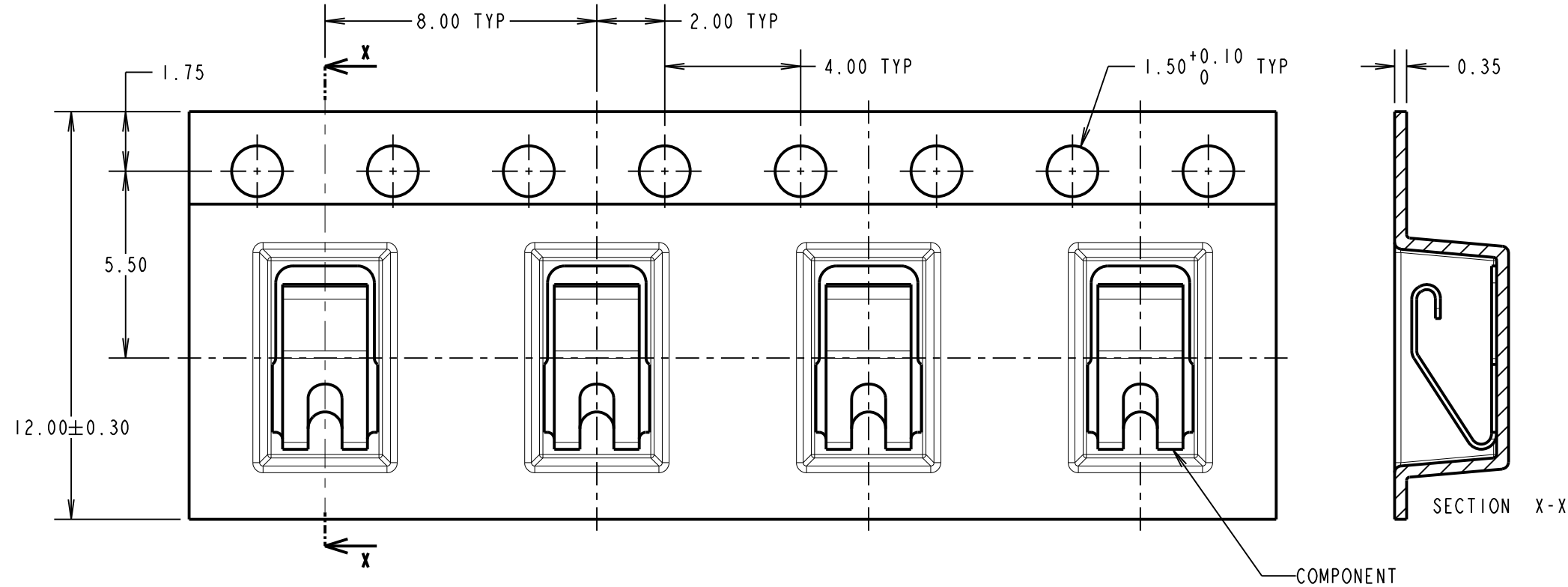
IF IN DOUBT - ASK

©

NOT TO SCALE

THIRD ANGLE PROJECTION

ALL DIMENSIONS IN mm



- NOTES:
1. QUANTITY PER REEL = 2500.
 2. THIS PRODUCT IS TAPED AND REELED IN ACCORDANCE WITH EIA-481 (ELECTRONIC INDUSTRIES ASSOCIATION).

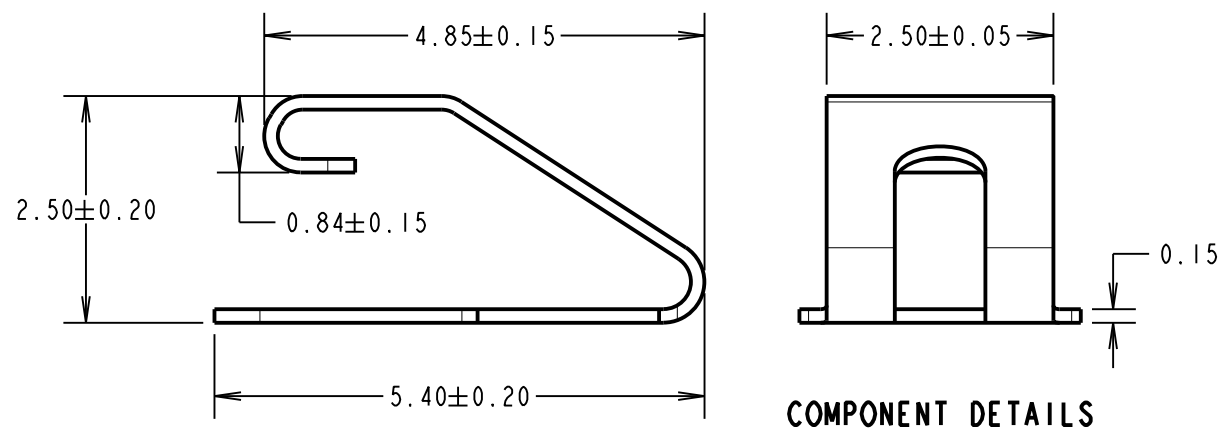
COMPONENT SPECIFICATION:

MATERIAL = PHOSPHOR BRONZE
 FINISH = 4µ BRIGHT 100% TIN OVER 2µ NICKEL
 RECOMMENDED WORKING HEIGHT = 1.75mm / MIN FORCE = 1.5N
 MINIMUM WORKING HEIGHT = 1.50mm / MAX FORCE = 3.0N

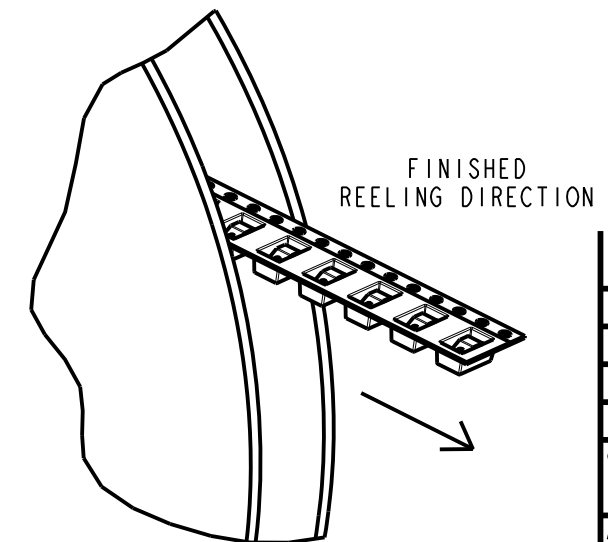
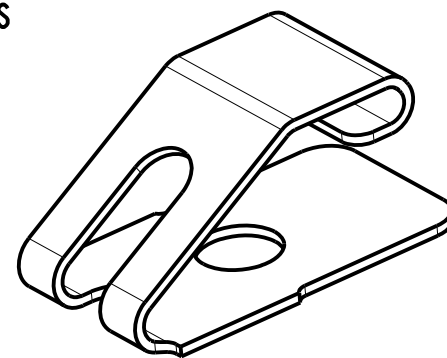
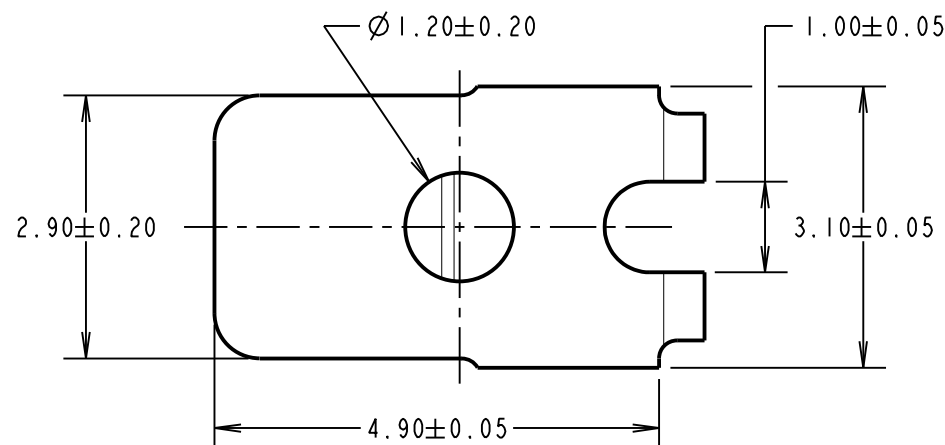
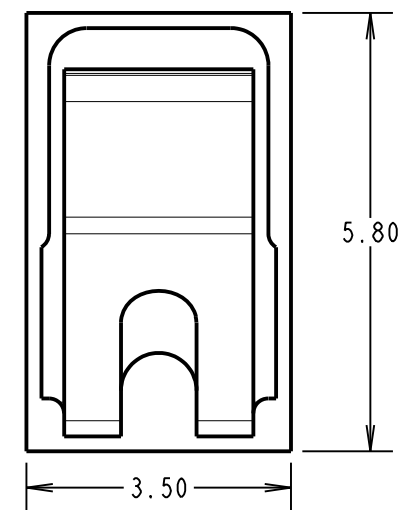
ELECTRICAL:
 CURRENT RATING = 6A

MECHANICAL:
 DURABILITY = 5000 CYCLES

ENVIRONMENTAL:
 OPERATING TEMPERATURE = -55°C TO +125°C



RECOMMENDED PAD LAYOUT



SB	3	04.12.13	12234
NAME	ISS.	DATE	C/NOTE
APPROVED:		S.BENNETT	
CHECKED:		S.FLOWER	
DRAWN:		N.CODLING	
CUSTOMER REF.:			
ASSEMBLY DRG:			

HARWIN

www.harwin.com
 technical@harwin.com

THIS DRAWING AND ANY INFORMATION OR DESCRIPTIVE MATTER SET OUT HEREON ARE CONFIDENTIAL AND COPYRIGHT PROPERTY OF THE HARWIN GROUP AND MUST NOT BE DISCLOSED, LOANED, COPIED OR USED FOR MANUFACTURING, TENDERING OR FOR ANY OTHER PURPOSE WITHOUT THEIR WRITTEN PERMISSION.

TOLERANCES

X. = ±1mm
 X.X = ±0.25mm
 X.XX = ±0.10mm
 X.XXX = ±0.01mm

ANGLES = ±5°
 UNLESS STATED

MATERIAL: SEE ABOVE

FINISH: SEE ABOVE

S/AREA: mm²

TITLE: S1741-46 SMT CONTACT IN TAPE AND REEL

DRAWING NUMBER:

S1741-46R

SHT 2 OF 2