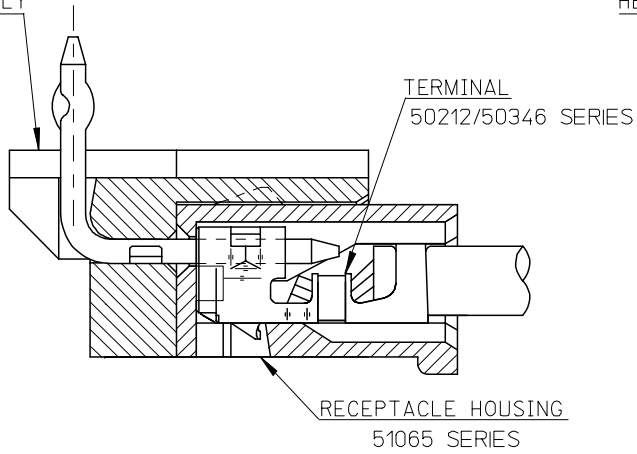


10 9 8 7 6 5 4 3 2 1

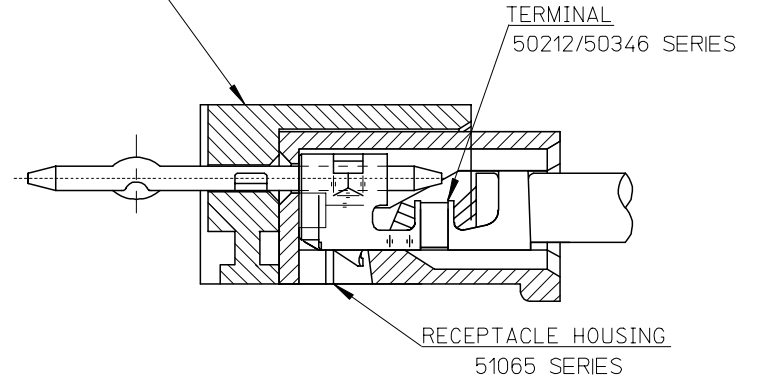
F

HEADER HOUSING ASSEMBLY  
53254SERIES



51065シリーズ/53254シリーズ 嵌合状態図 参考  
51065 SERIES/53254 SERIES MATED DRAWING (REF.)

HEADER HOUSING ASSEMBLY  
53253SERIES



51065シリーズ/53253シリーズ 嵌合状態図 参考  
51065 SERIES/53253 SERIES MATED DRAWING (REF.)

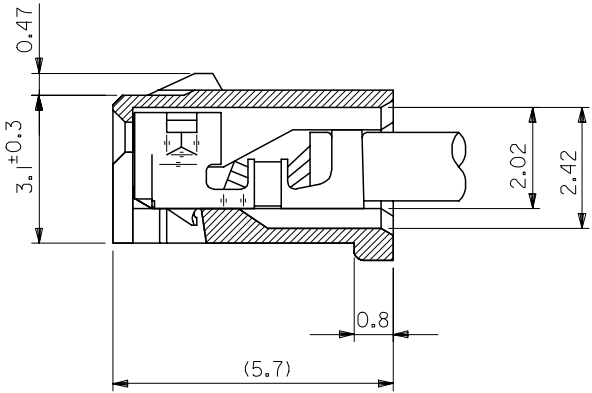
E

D

C

B

A



ターミナル装着状態図  
TERMINAL ASS'Y DWG.

|   |                                       |            |   |                    |   |                        |
|---|---------------------------------------|------------|---|--------------------|---|------------------------|
| RELEASED<br>EC NO: J2008-2041<br>DRWN: AOYAGI 2007/11/21<br>CHKD: THARUYAMA 2007/11/22<br>APPR: NUKITA 2007/11/22 | GENERAL TOLERANCES (UNLESS SPECIFIED) |            | DIMENSION STYLE<br>MM ONLY  | SCALE<br>10:1      | DESIGN UNITS<br>METRIC  | THIRD ANGLE PROJECTION |
|   | 10 UNDER                              | ± 0.2      | DRAWN BY<br>Y. AOYAGI   | DATE<br>2007/11/13 | TITLE<br>NEW 2.0 W/B CONN.<br>51065/53253OR51065/53254              |                        |
|   | 10 OVER 30 UNDER                      | ± 0.25     | CHECKED BY<br>N. UKITA  | DATE<br>2007/11/13 | MOLEX INCORPORATED<br>DOCUMENT NO. SD-51065-006<br>SHEET NO. 1 OF 1 |                        |
|   | 30 OVER                               | ± 0.3      | APPROVED BY<br>N. UKITA   | DATE<br>2007/11/13 |   |                        |
|   | ANGULAR                               | ± 1 °      | MATERIAL NO.  |                    | SEE TABLE   |                        |
| DRAFT WHERE APPLICABLE MUST REMAIN WITHIN DIMENSIONS  |                                       | SIZE<br>A3 | THIS DRAWING CONTAINS INFORMATION THAT IS PROPRIETARY TO MOLEX INCORPORATED AND SHOULD NOT BE USED WITHOUT WRITTEN PERMISSION |                    |   |                        |

注記 NOTES

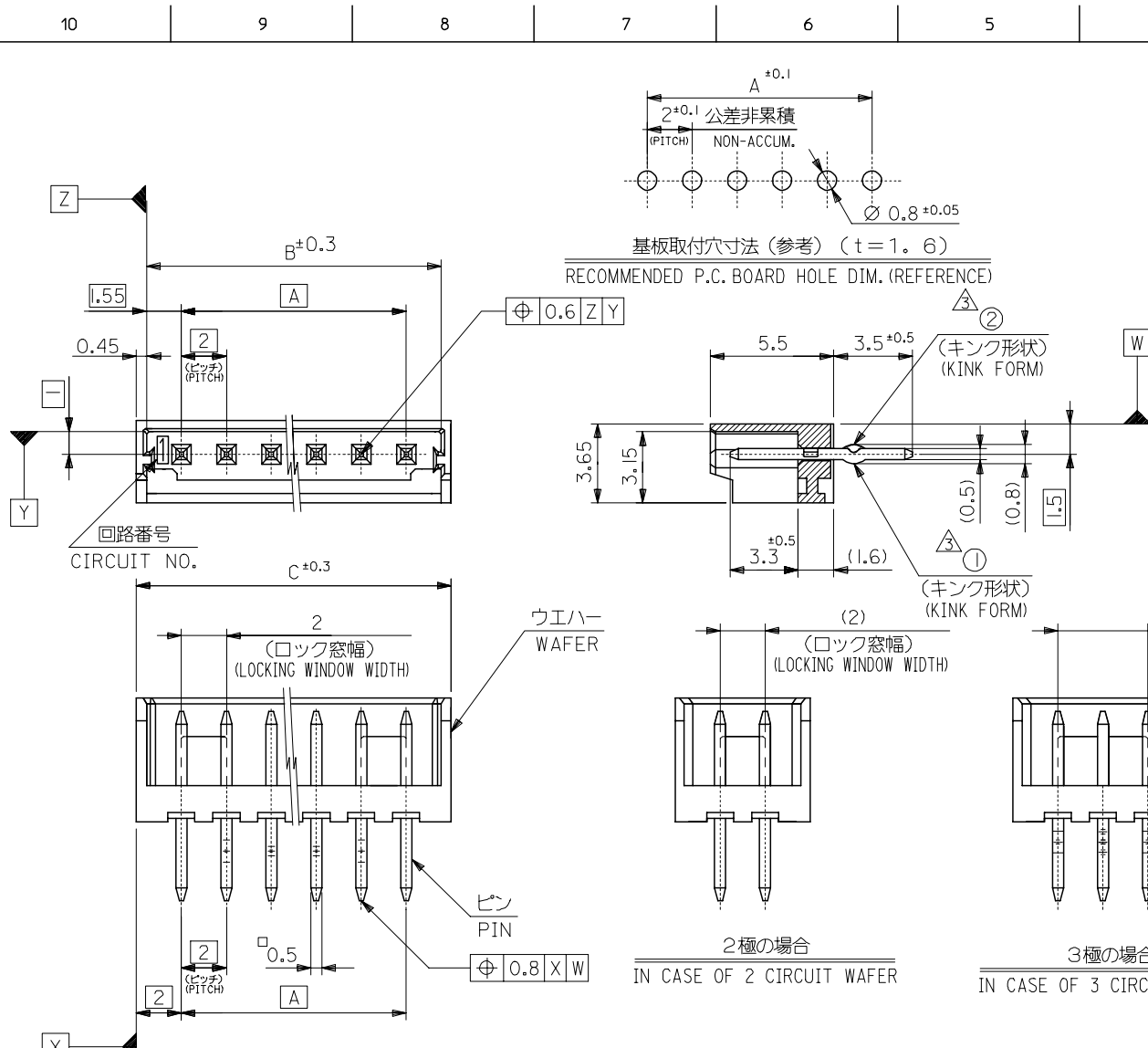
1. 嵌合相手：51065 シリーズ  
MATE WITH : 51065 SERIES
2. 材質 MATERIAL  
ウエハー：66ナイロン、UL94V-0  
WAFER : 66NYLON, UL94V-0  
ピン：黄銅、錫メッキ  
PIN : BRASS, TIN(Sn) PLATING

△ キングは下記表の位置及び形状に付加のこと。2極はキング無し。  
KINK TO BE APPLIED AS FOLLOWS,  
2 CIRCUIT HAS NO KINK.

| 極数 CKT | 回路番号<br>CKT NO. | 回路番号 |   |   |   |   |     |     |   |
|--------|-----------------|------|---|---|---|---|-----|-----|---|
|        |                 | 1    | 2 | 3 | 4 | 5 | N-2 | N-1 | N |
| 6 極以上  | MORE THAN 6 CKT | —    | ① | ② | — | — | ②   | ①   | — |
| 5 極    | 5 CKT           | ①    | ② | — | ② | ① |     |     |   |
| 4 極    | 4 CKT           | ①    | ② | ② | ① |   |     |     |   |
| 3 極    | 3 CKT           | ①    | ② | ① |   |   |     |     |   |

4. 本製品は、53253-\*\*10の鉛フリー品です。  
THIS PRODUCT IS LEAD FREE OF 53253-\*\*10.
5. 梱包仕様 PACKAGING  
53253-\*\*70 トレー TRAY  
53253-\*\*50 ホリ袋 POLYBAG

|    |      |    |              |                 |    |
|----|------|----|--------------|-----------------|----|
| 32 | 31.1 | 28 | 53253-1550   | 53253-1570      | 15 |
| 30 | 29.1 | 26 | -1450        | -1470           | 14 |
| 28 | 27.1 | 24 | -1350        | -1370           | 13 |
| 26 | 25.1 | 22 | -1250        | -1270           | 12 |
| 24 | 23.1 | 20 | -1150        | -1170           | 11 |
| 22 | 21.1 | 18 | -1050        | -1070           | 10 |
| 20 | 19.1 | 16 | -0950        | -0970           | 9  |
| 18 | 17.1 | 14 | -0850        | -0870           | 8  |
| 16 | 15.1 | 12 | -0750        | -0770           | 7  |
| 14 | 13.1 | 10 | -0650        | -0670           | 6  |
| 12 | 11.1 | 8  | -0550        | -0570           | 5  |
| 10 | 9.1  | 6  | -0450        | -0470           | 4  |
| 8  | 7.1  | 4  | -0350        | -0370           | 3  |
| 6  | 5.1  | 2  | 53253-0250   | 53253-0270      | 2  |
| C  | B    | A  | MATERIAL NO. | MATERIAL NO.    | 極数 |
|    |      |    | MODEL NO.    | 53253-**70/**50 |    |



2極の場合  
IN CASE OF 2 CIRCUIT WAFER

3極の場合  
IN CASE OF 3 CIRCUIT WAFER

| REVISED | EC NO. J2005-2396 | DRAWN:NAIDA 2005/02/22 | CHKD:KTOJO 2005/02/22 | APPR:NUKITA 2005/02/28 | GENERAL TOLERANCES (UNLESS SPECIFIED)                      |       | DIMENSION STYLE |           | SCALE  | DESIGN UNITS   |  | TITLE     |
|---------|-------------------|------------------------|-----------------------|------------------------|--|-------|-----------------|-----------|--|--|--|-----------|
|         |                   |                        |                       |                        | 10 UNDER   | ±0.2  | MM ONLY         | 5:1       | METRIC   | THIRD ANGLE PROJECTION   |  |           |
|         |                   |                        |                       |                        | 10 OVER  | ±0.25 | DRAWN BY        | DATE      |  | NEW 2.0 WIRE TO BOARD<br>CONN. WAFER ASSY (ST.)<br>-LEAD FREE- |  |           |
|         |                   |                        |                       |                        | 30 UNDER   | ±0.3  | T. TSUBOI       | '04/01/15 |  |  |  |           |
|         |                   |                        |                       |                        | 30 OVER  | ±0.3  | CHECKED BY      | DATE      |  | MOLEX INCORPORATED   |  |           |
|         |                   |                        |                       |                        | ANGULAR  | ±3 °  | S. MARUYAMA     | '04/01/15 |  |  |  |           |
|         |                   |                        |                       |                        | DRAFT WHERE APPLICABLE<br>MUST REMAIN<br>WITHIN DIMENSIONS |       | APPROVED BY     | DATE      |  | SD-53253-001   |  |           |
|         |                   |                        |                       |                        |  |       | M. SASAO        | '04/01/15 |  |  |  |           |
|         |                   |                        |                       |                        |  |       | MATERIAL NO.    |           |  | DOCUMENT NO.   |  | SHEET NO. |
|         |                   |                        |                       |                        |  |       | SIZE            | A3        | THIS DRAWING CONTAINS INFORMATION THAT IS PROPRIETARY TO MOLEX<br>INCORPORATED AND SHOULD NOT BE USED WITHOUT WRITTEN PERMISSION |  |  | 1 OF 1    |