

single locking lever

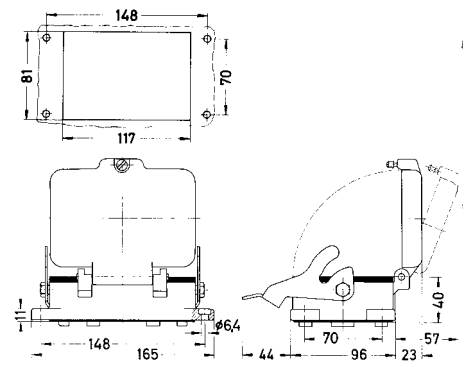
Identification

Part number

Drawing  
Dimensions in mm

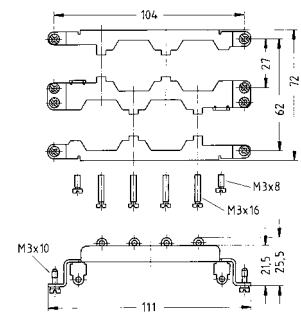
Han® M,  
Bulkhead mounted housings

09 37 048 0301



Frame,  
for 4 x HC 350 contacts + 2 x Han® Q 5/0

09 11 000 9955



Tightening torque Fixing screws M3: 0.5 Nm  
 Tightening torque Fixing screws Han® Q 5/0:  
 0.25 Nm  
 Tightening torque Cross-tying screws 1.5 Nm

HC-  
Modular