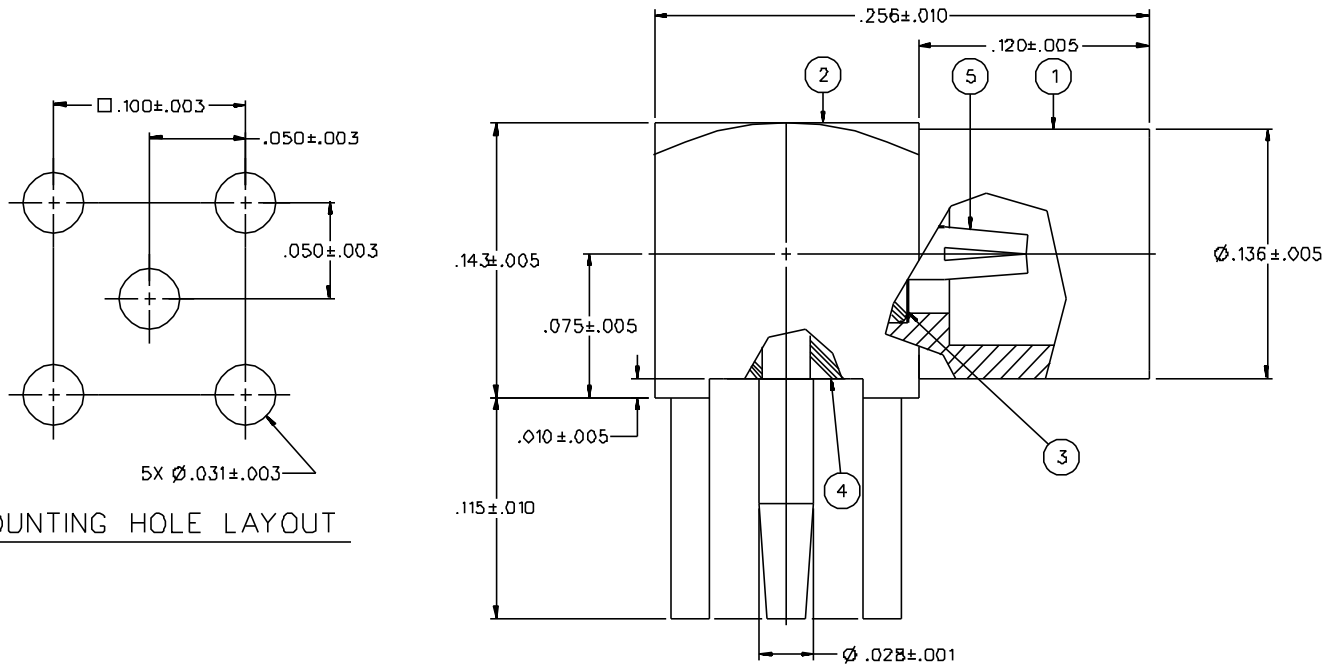


PART NUMBER	ITEM ① BODY	ITEM ② BASE	ITEM ③ INSULATOR	ITEM ④ INSULATOR	ITEM ⑤ CONTACT
135-3701-3D1	BRASS GOLD PL .00001 MIN OVER NICKEL PL .00005 MIN OVER COPPER PL .00005 MIN	BRASS GOLD PL .00001 MIN OVER NICKEL PL .00005 MIN OVER COPPER PL .00005 MIN	TEFLON	TEFLON	BERYLLIUM COPPER GOLD PL .00003 MIN OVER NICKEL PL .00005 MIN OVER COPPER PL .00005 MIN

DRAWING NO. C - 135-3701-301/310	
0	REVISIONS
ENGINEERING RELEASE	
1	10-7-96 R H P R S 10-16-96 ECN 44363
CHANGED: REVISED SPECS DELETED: P/N 135-3701-306	
* REVISION NUMBER FOLLOWED BY AN ALPHA *	
* CHARACTER INDICATES DRAWING CLARIF. *	
* CATION OR PART NUMBER ADDITION ONLY. *	
1a	9-7-97 R H P R S ECN 45014



MOUNTING HOLE LAYOUT

NOTES:

1. SPECIFICATIONS:

IMPEDANCE: 50 OHMS
 FREQUENCY RANGE: 0-6 GHz
 VSWR: NOT APPLICABLE
 WORKING VOLTAGE: 170 VRMS MAX AT SEA LEVEL
 DIELECTRIC WITHSTANDING VOLTAGE: 500 VRMS MIN AT SEA LEVEL
 INSULATION RESISTANCE: 1000 MEGOHM MIN
 CONTACT RESISTANCE:
 CENTER CONTACT - INITIAL 5.0 MILLIOHM MAX, AFTER ENVIRONMENTAL 8.0 MILLIOHM MAX
 OUTER CONDUCTOR - GOLD PLATED INITIAL 1 MILLIOHM MAX, AFTER ENVIRONMENTAL 1.5 MILLIOHM MAX
 NICKEL PLATED INITIAL 2.5 MILLIOHM MAX, AFTER ENVIRONMENTAL 3.5 MILLIOHM MAX
 BRAID TO BODY - NOT APPLICABLE
 CORONA LEVEL: 190 VOLTS MINIMUM AT 70,000 FEET
 INSERTION LOSS: NOT APPLICABLE
 RF LEAKAGE: NOT APPLICABLE
 RF HIGH POTENTIAL WITHSTANDING VOLTAGE: 400 VRMS AT 4 AND 7 MHZ

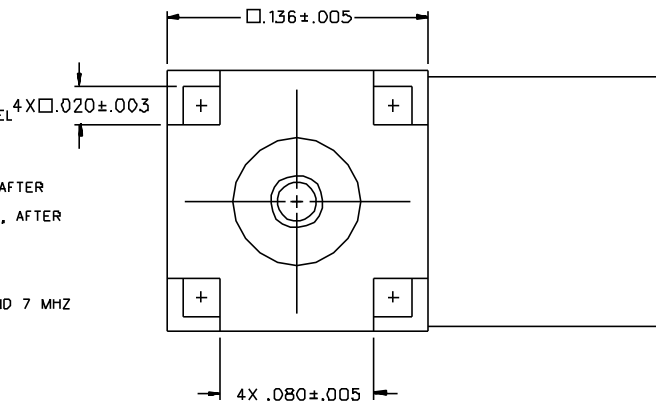
MECHANICAL:

ENGAGE/DISENGAGE FORCE: 8.0 LBS MAX ENGAGEMENT
 1.4 LBS MIN DISENGAGEMENT

CONTACT RETENTION FORCE: NOT APPLICABLE
 CONTACT RETENTION TORQUE: NOT APPLICABLE
 COUPLING MECHANISM RETENTION: NOT APPLICABLE
 CABLE ACCEPTABILITY: NOT APPLICABLE
 CABLE HEX CRIMP SIZE: NOT APPLICABLE
 CABLE RETENTION: NOT APPLICABLE
 DURABILITY: 500 CYCLES MIN

ENVIRONMENTAL:

{MEETS OR EXCEEDS THE APPLICABLE PARAGRAPH OF MIL-C-39012}
 THERMAL SHOCK: MIL-STD-202, METHOD 107, CONDITION C
 EXCEPT -55 DEG C TO 155 DEG C
 OPERATING TEMPERATURE: -55 DEG C TO 155 DEG C
 CORROSION: MIL-STD-202, METHOD 101, CONDITION B
 SHOCK: MIL-STD-202, METHOD 213, CONDITION B
 VIBRATION: MIL-STD-202, METHOD 204, CONDITION D
 MOISTURE: MIL-STD-202, METHOD 106



CUSTOMER DRAWING

THIS DRAWING TO BE INTERPRETED PER ANSI Y 14.5M - 1982
 "μSTATION"

COMPANY CONFIDENTIAL

TOLERANCE UNLESS OTHERWISE SPECIFIED		DRAWN BY SWC	DATE 9-18-96	 Cinch Connectivity Solutions 299 Johnson Ave. Ste. 100 Waukegan, MN 55093 1-800-247-8256
DECIMALS .XX	mm	CHECKED BY SWC	DATE 10-7-96	
.XXX		APPROVED BY TAK	DATE 10-7-96	TITLE JACK ASSEMBLY RIGHT ANGLE PC MOUNT MMCX
FINISH		APPROVED BY RJB	DATE 10-8-96	CODE NO.
		RELEASE DATE	10-16-96	DRAWING NO. C - 135-3701-301/310
		SCALE 20:1	U/M INCH	SHEET 2 OF 2