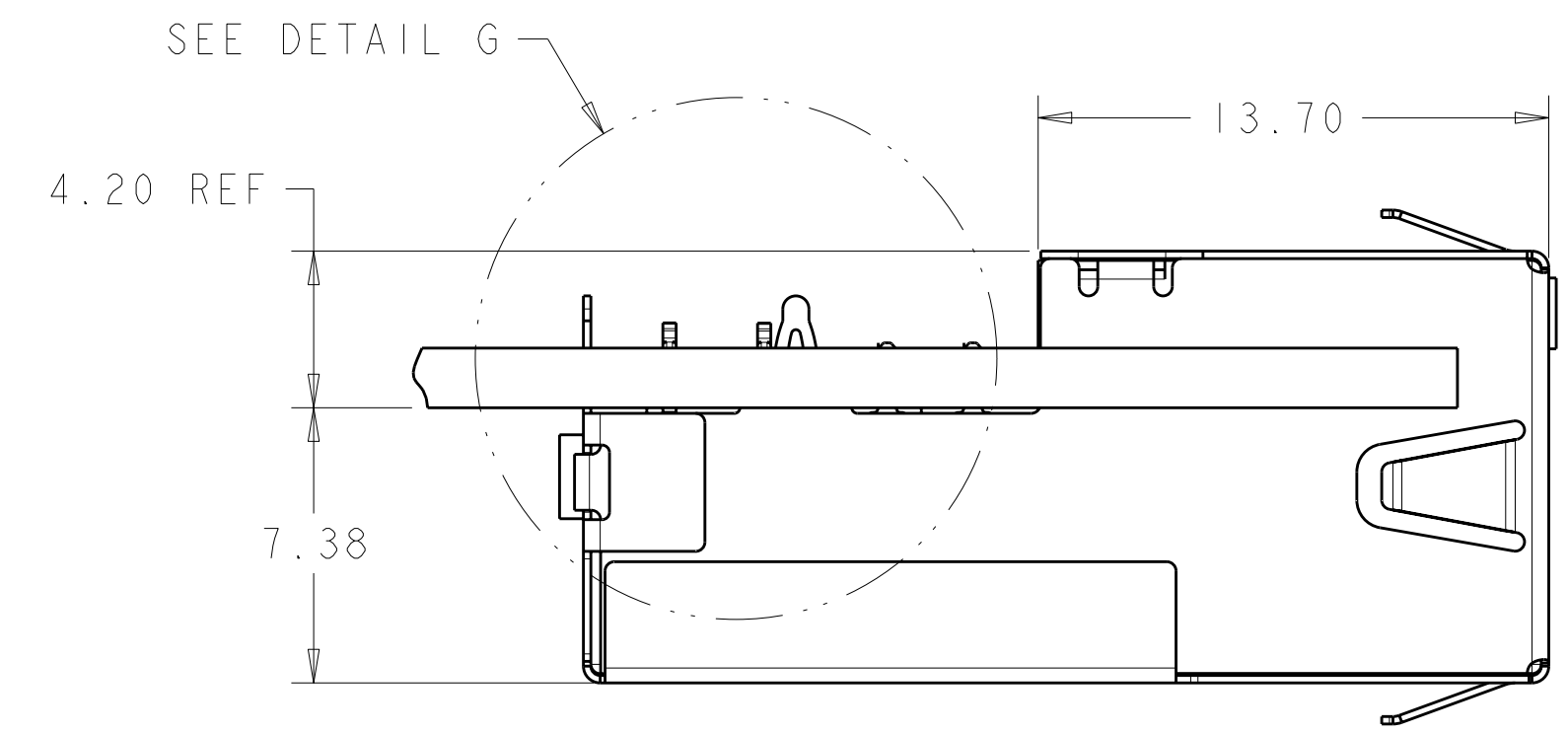
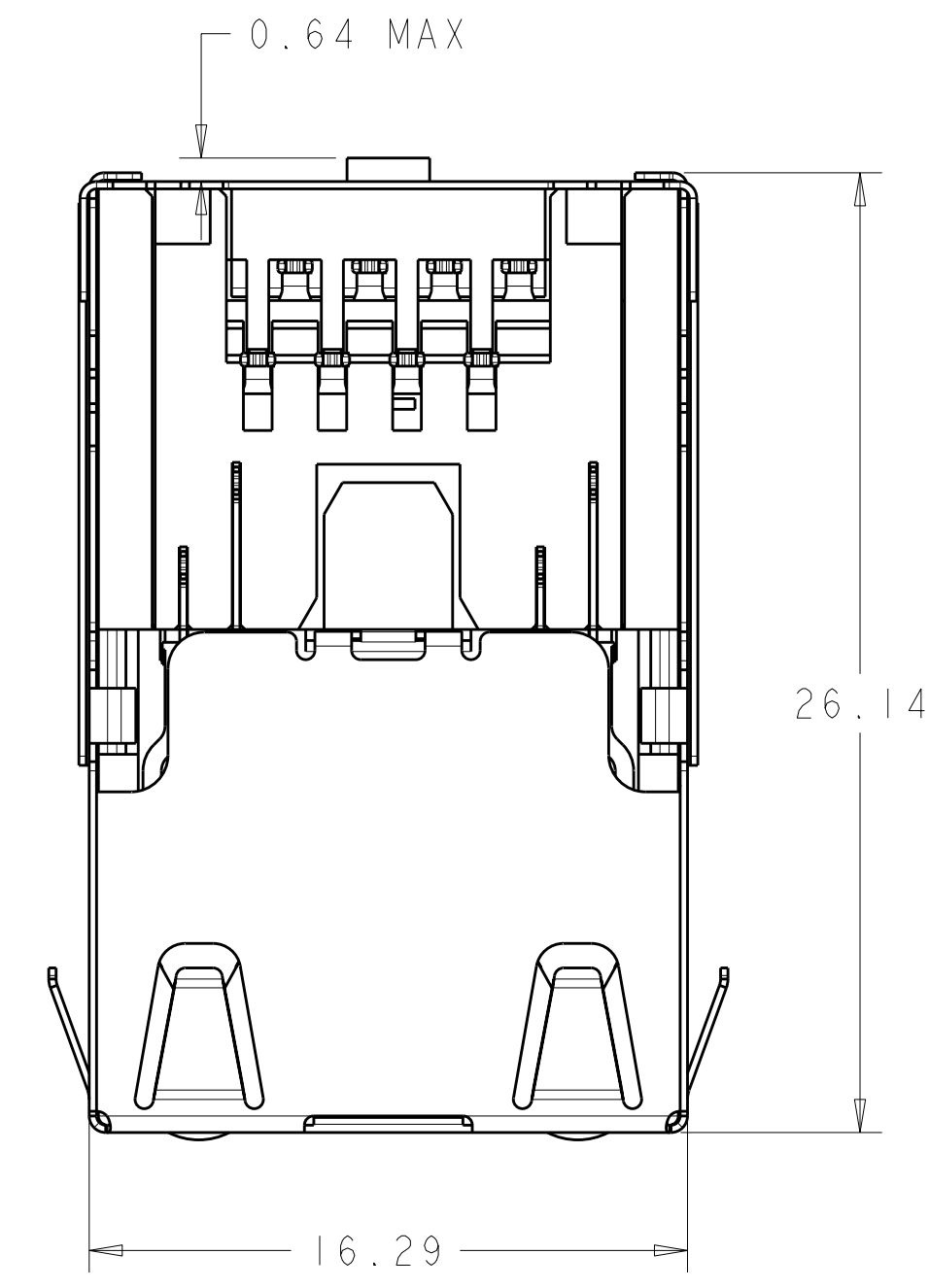
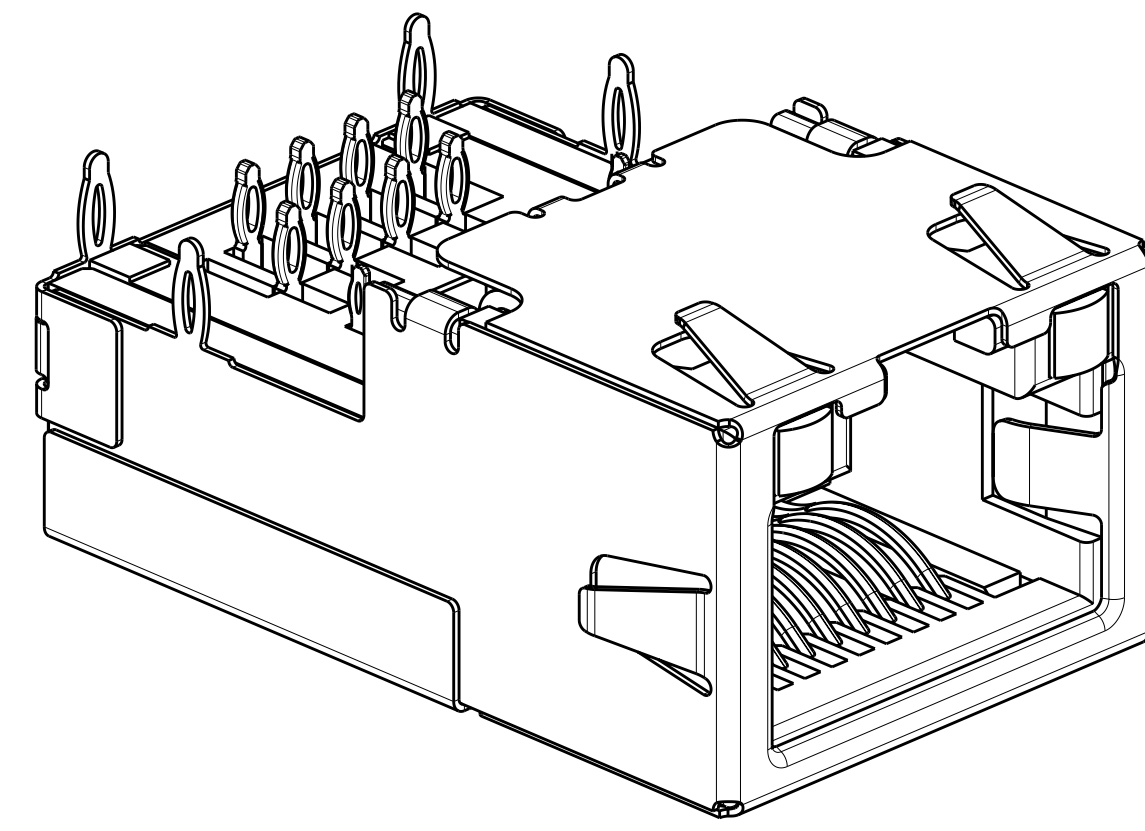
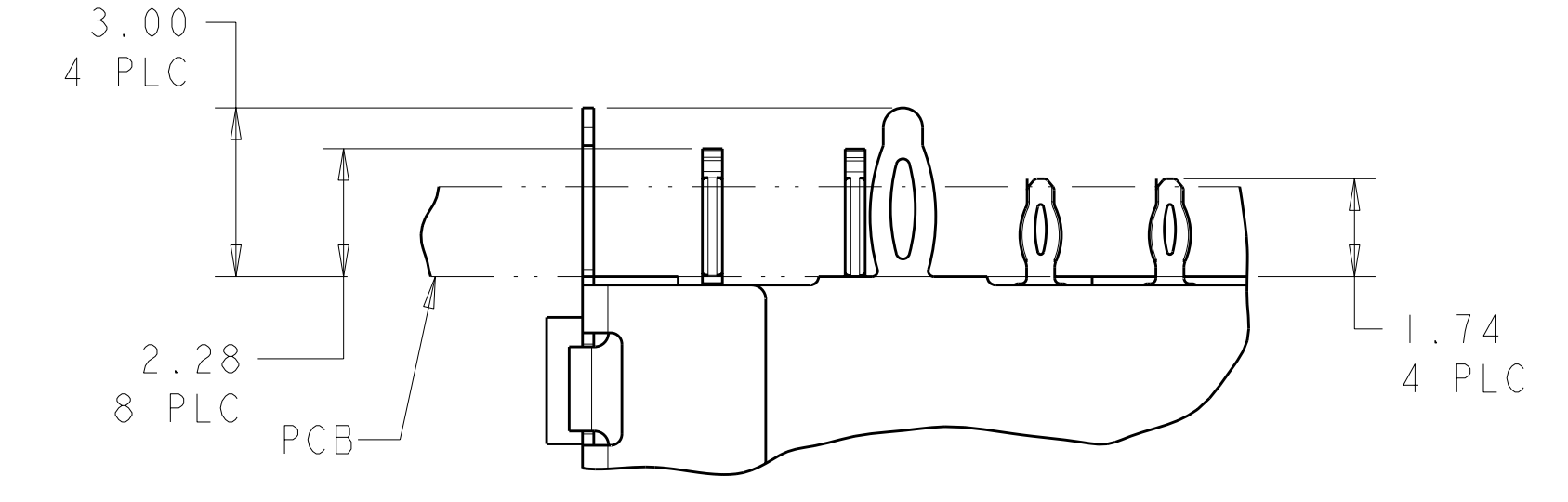
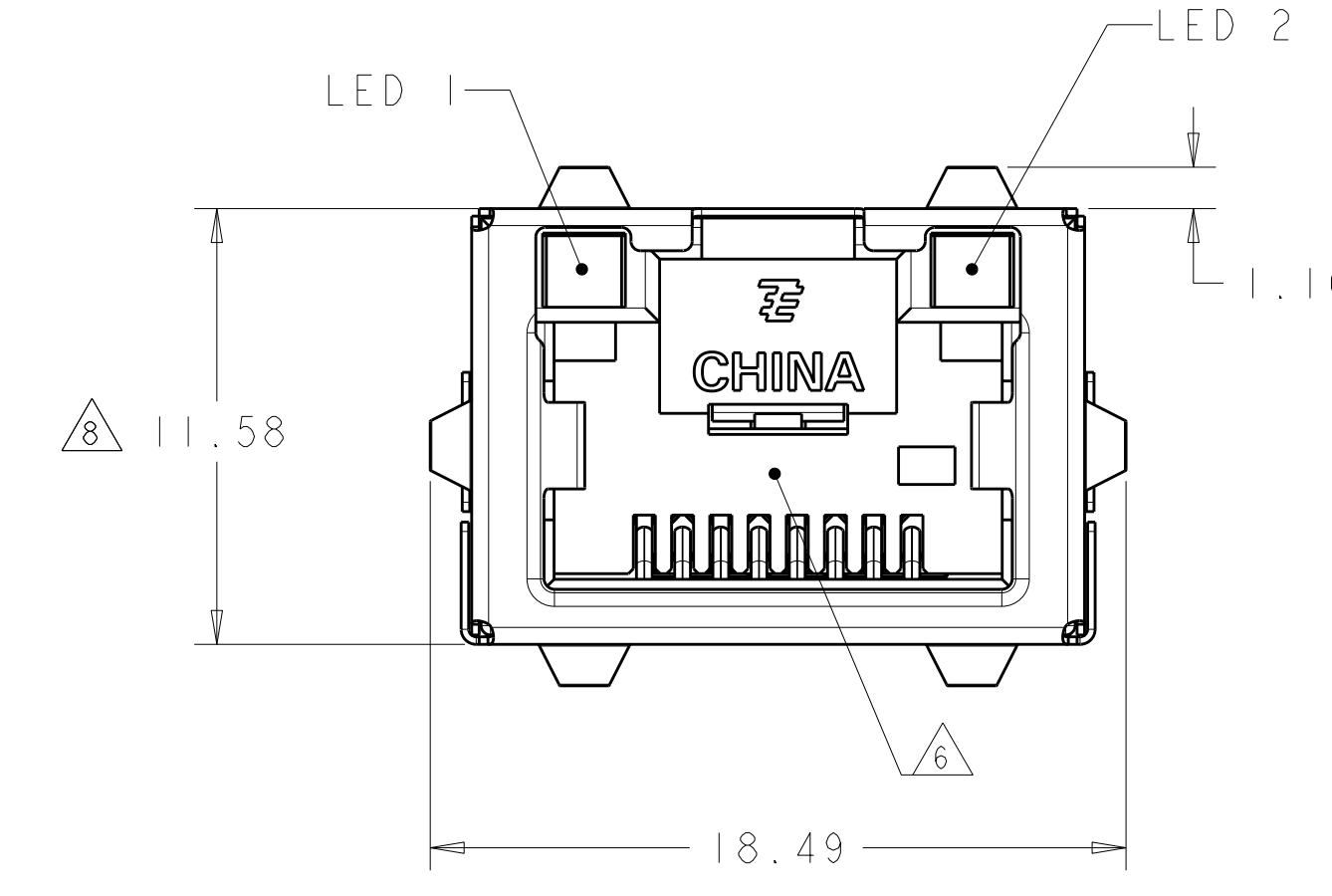


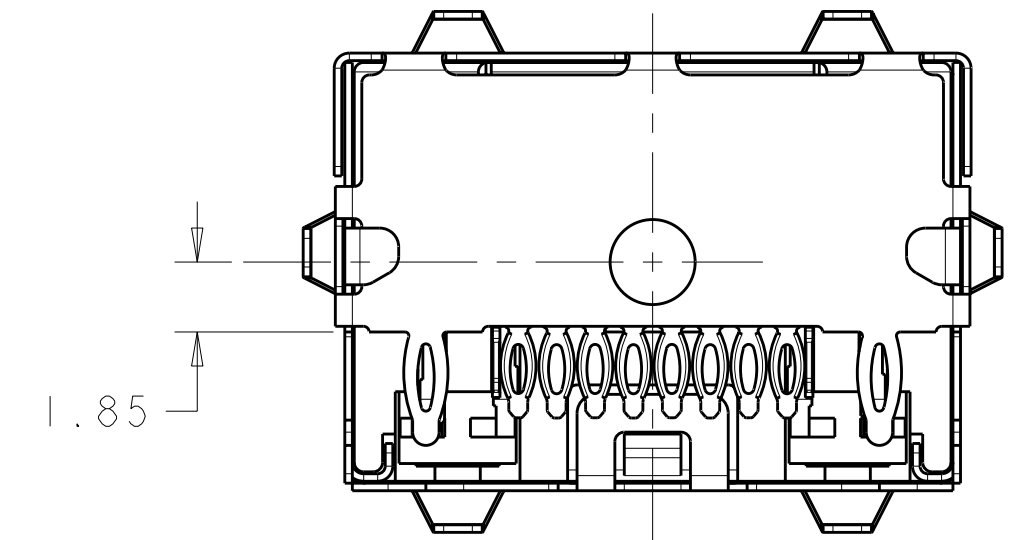
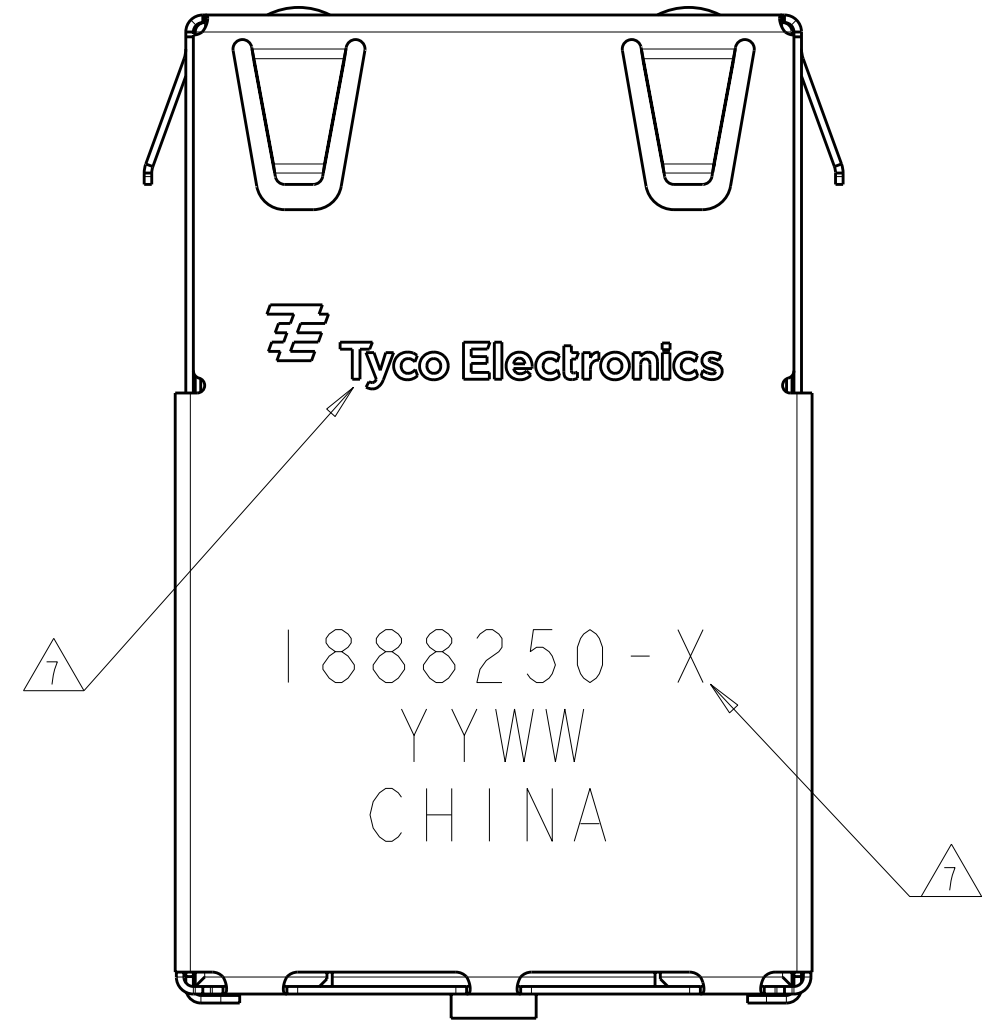
LOC	DIST	REV	DATE	DWN	APVD
AA	00	B5	11MAY2011	JJ	MOW
		C	09FEB2012	JJ	AC



VIEW SHOWN ASSEMBLED TO PCB ONLY



DETAIL G SCALE 8:1



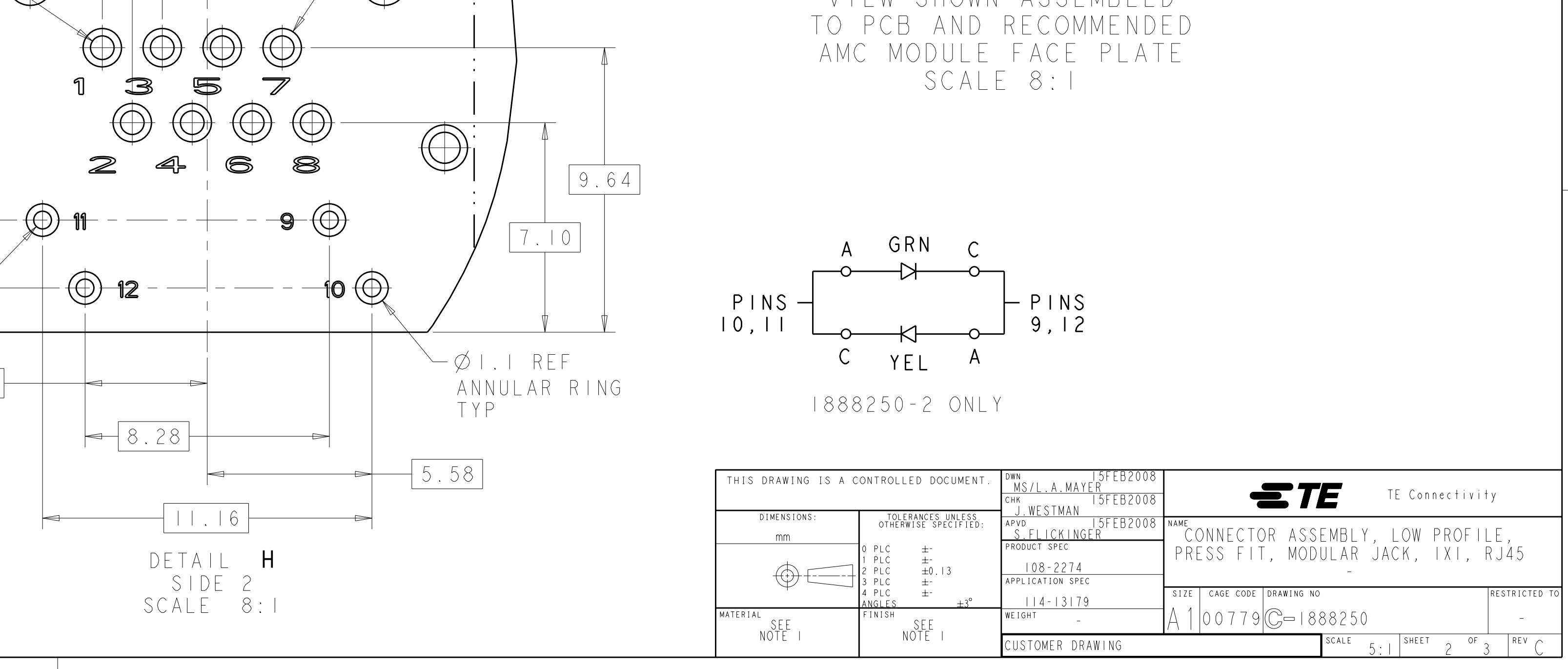
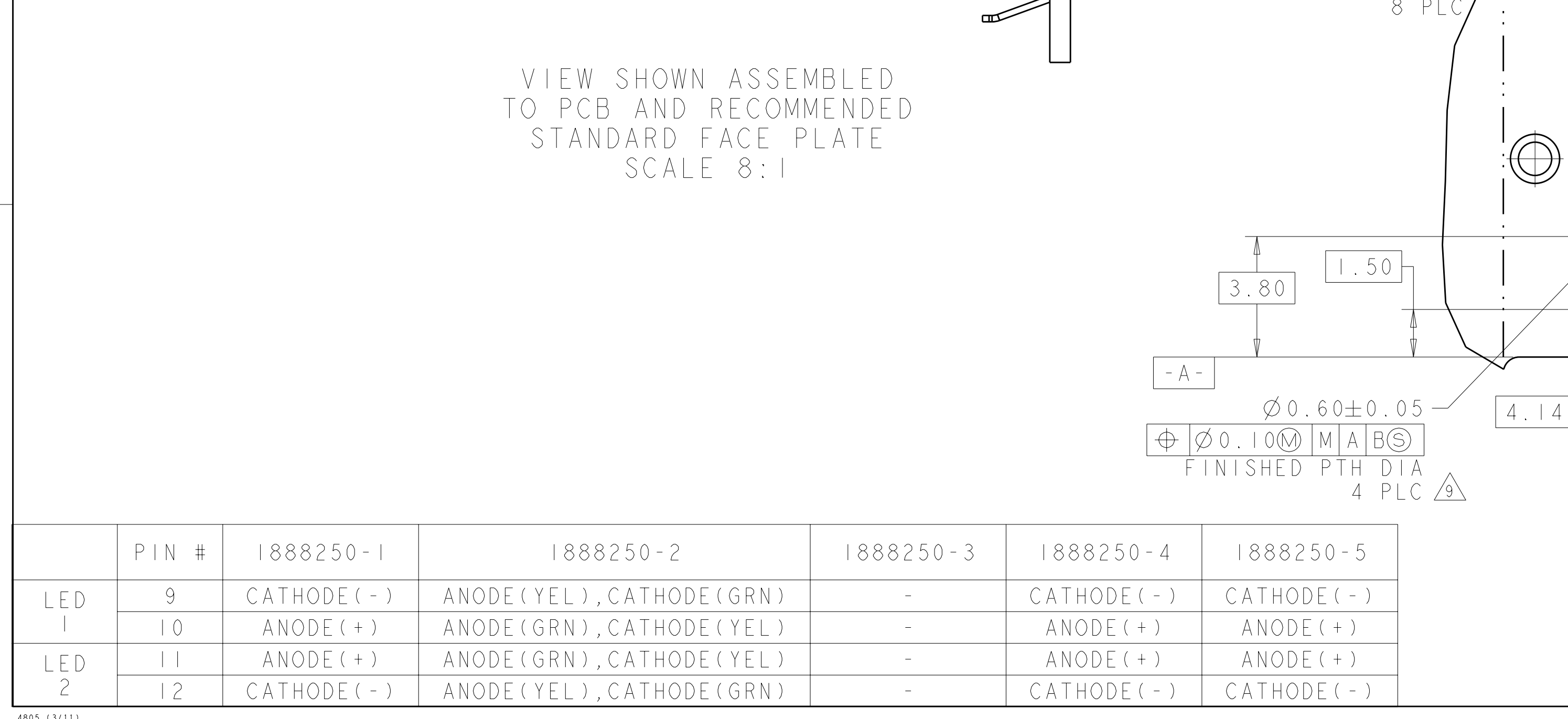
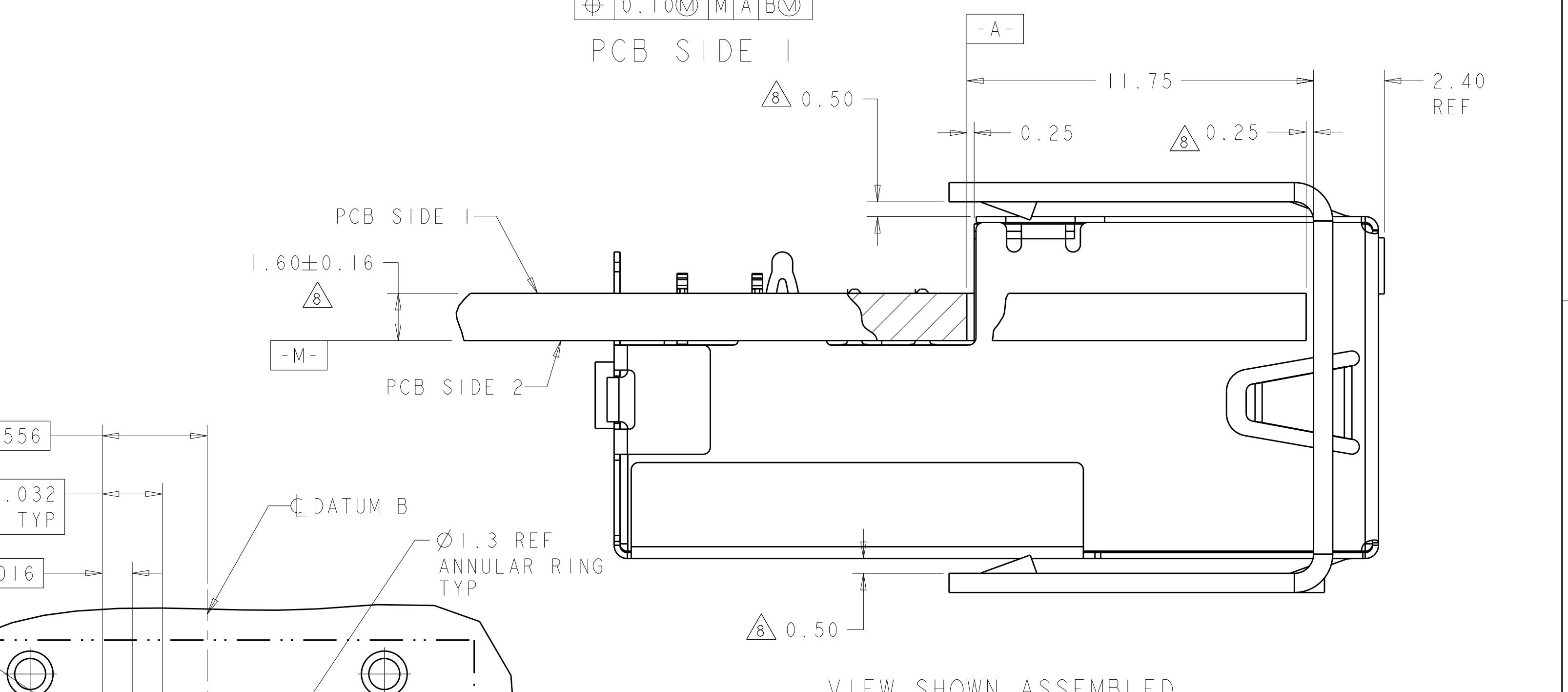
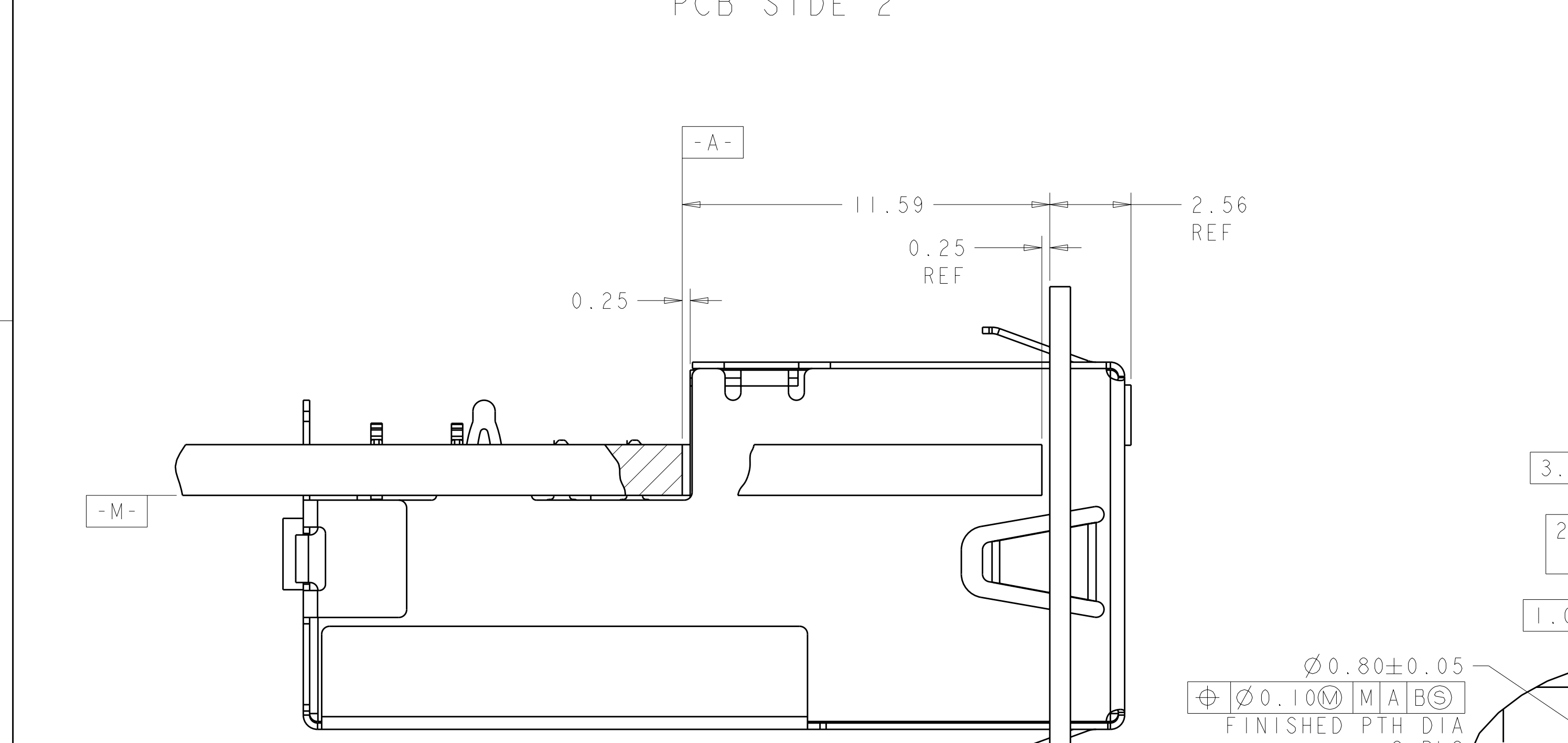
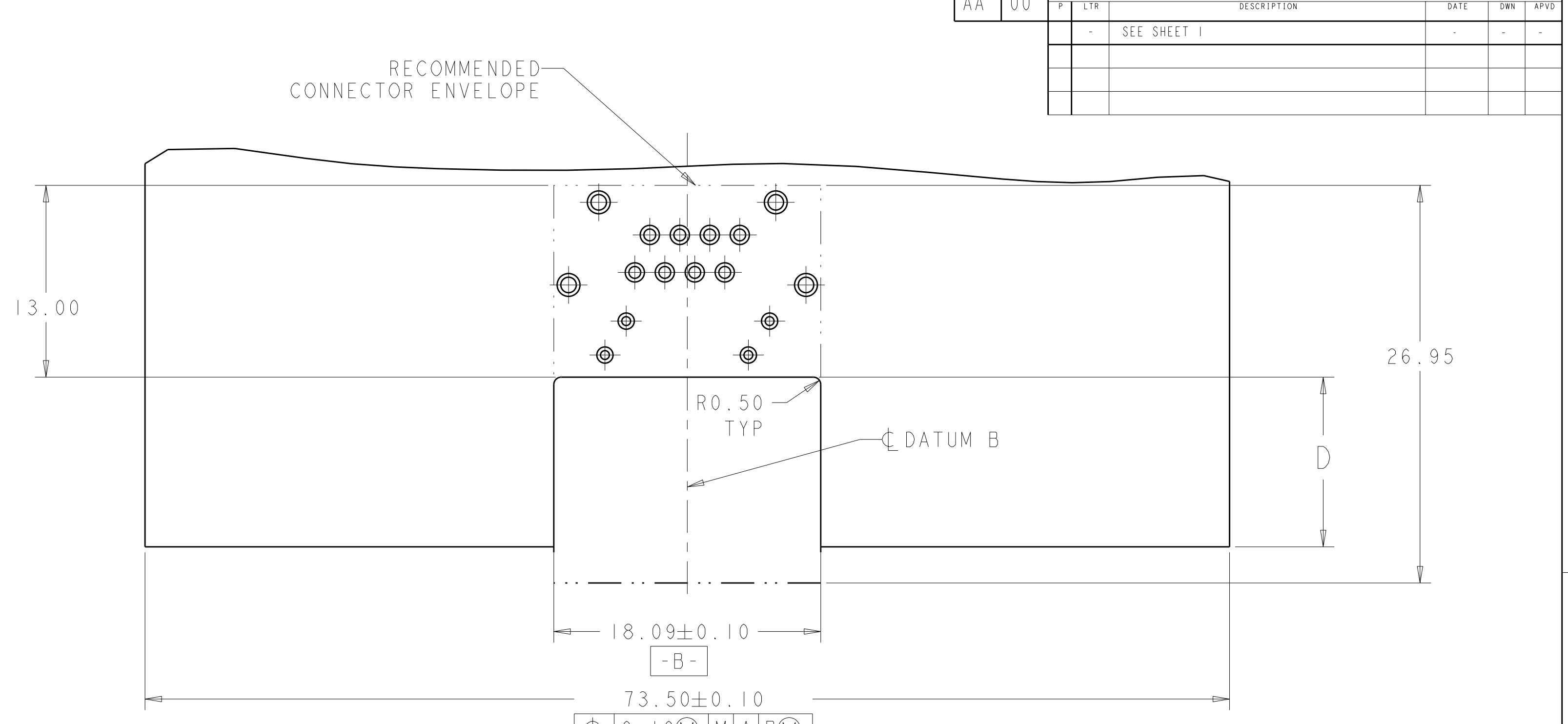
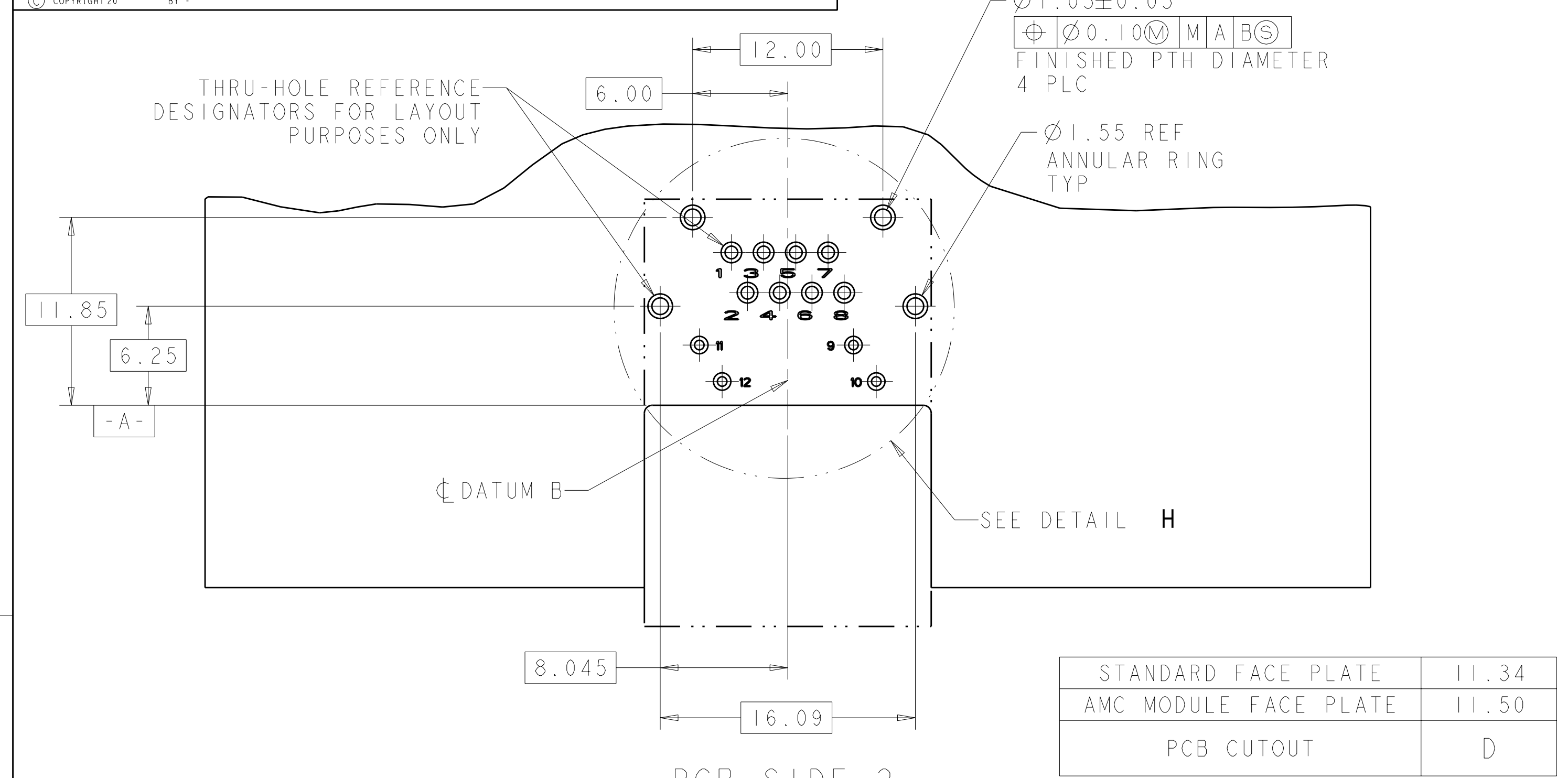
- MATERIALS:
 HOUSING: BLACK THERMOPLASTIC, 94V-0.
 SHIELD: COPPER ALLOY WITH 0.76µm MIN NICKEL PLATE
 CONTACTS: PHOSPHOR BRONZE WITH 1.27µm MIN GOLD
 AT MATING INTERFACE OVER 1.27µm MIN NICKEL UNDERPLATE.
- PERFORMANCE:
 INSERTION LOSS: 0.4dB @ 100 MHz.
 RETURN LOSS: 12.0dB @ 100 MHz.
 CROSSTALK ATTENUATION: -43dB MINIMUM @ 100 MHz
 CURRENT: 0.6 AMPERE MAXIMUM PER SINGAL CONTACT.
- LED'S COMPLIANT WITH IEC60825-1 SAFETY OF LASER PRODUCTS WHEN OPERATED AT CURRENT OF 20mA.
- ALL DIMENSIONS NOMINAL.
- RECOMMENDED MOTHERBOARD PCB THICKNESS: 1.60±0.16.
- RJ45 PORT CONFORMS TO FCC RULES AND REGULATIONS PART 68 SUB-PART F.
- TE LOGO, PART NUMBER, DATE CODE AND COUNTRY OF ORIGIN TO BE MARKED IN APPROXIMATE LOCATION SHOWN.
- THIS DIMENSION MEETS THE ADVANCED MEZZANINE CARD (AMC) SPECIFICATION.
- PIN 9,10,11,12 ARE LED LEAD PINS, For 1888250-3, NO LED INTEGRATED, HOLES ON PCB FOR THESE PINS ARE ONLY OPTIONAL.

YELLOW	GREEN	1888250-5
GREEN	GREEN	1888250-4
-	-	1888250-3
GRN/YEL	GRN/YEL	1888250-2
GREEN	YELLOW	1888250-1
LED #1	LED #2	PART NUMBER

THIS DRAWING IS A CONTROLLED DOCUMENT.

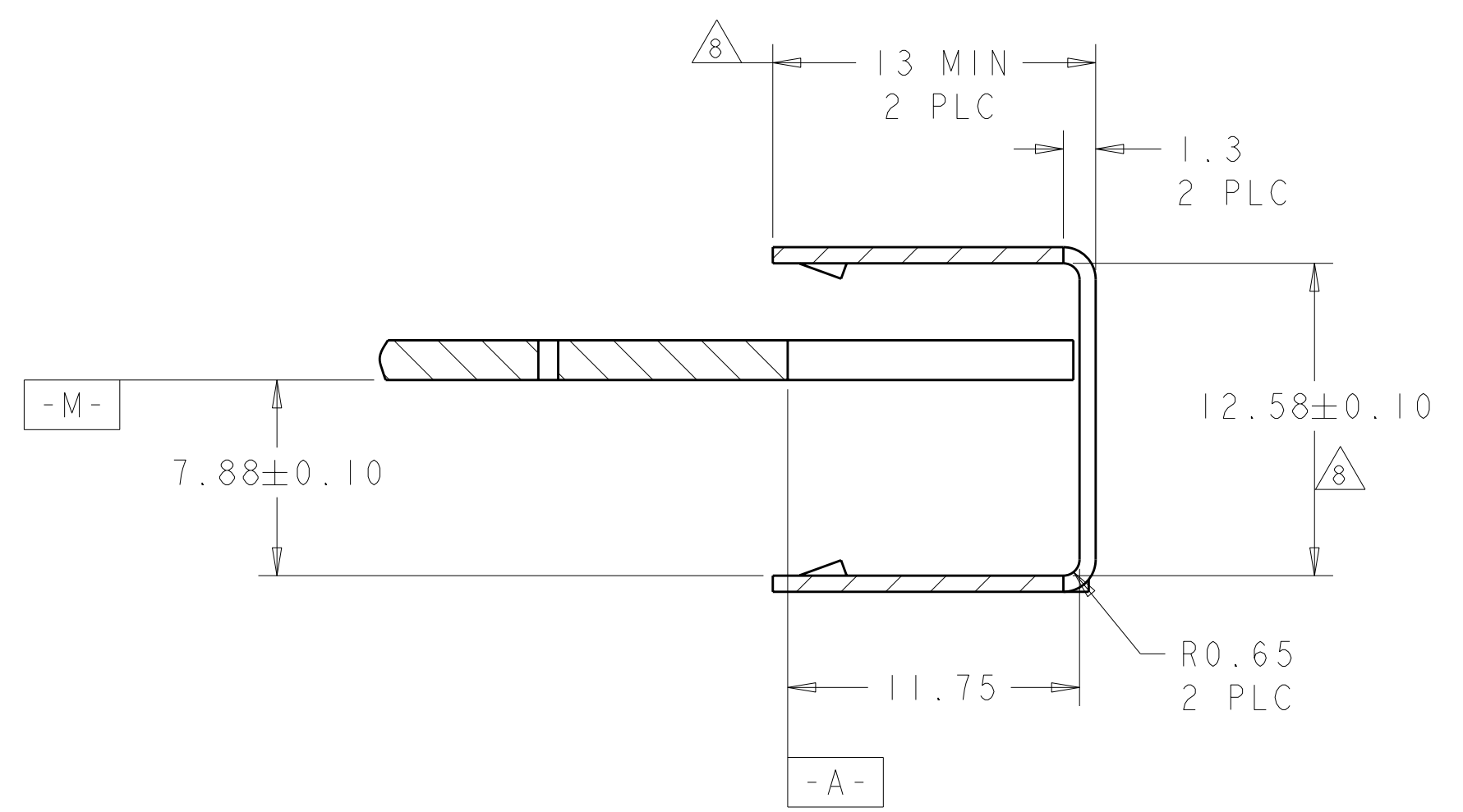
DIMENSIONS:	TOLERANCES UNLESS OTHERWISE SPECIFIED:	DWN: MS/L.A.MAYER 15FEB2008	NAME: CONNECTOR ASSEMBLY, LOW PROFILE, PRESS FIT, MODULAR JACK, 1X1, RJ45
mm	9 PLC ±	CHK: J.WESTMAN 15FEB2008	SIZE: CAGE CODE DRAWING NO
	1 PLC ±0.13	APVD: S.FLICKINGER 15FEB2008	RESTRICTED TO
	5 PLC ±	PRODUCT SPEC	A1100779C=1888250
	4 PLC ±	APPLICATION SPEC	SCALE 1:1 SHEET 1 OF 3 REV C
	ANGLES ±°	114-13179	
MATERIAL: SEE NOTE 1	FINISH: SEE NOTE 1	WEIGHT: -	CUSTOMER DRAWING

LOC	DIST	REV	DATE	BY	APPD
AA	00				

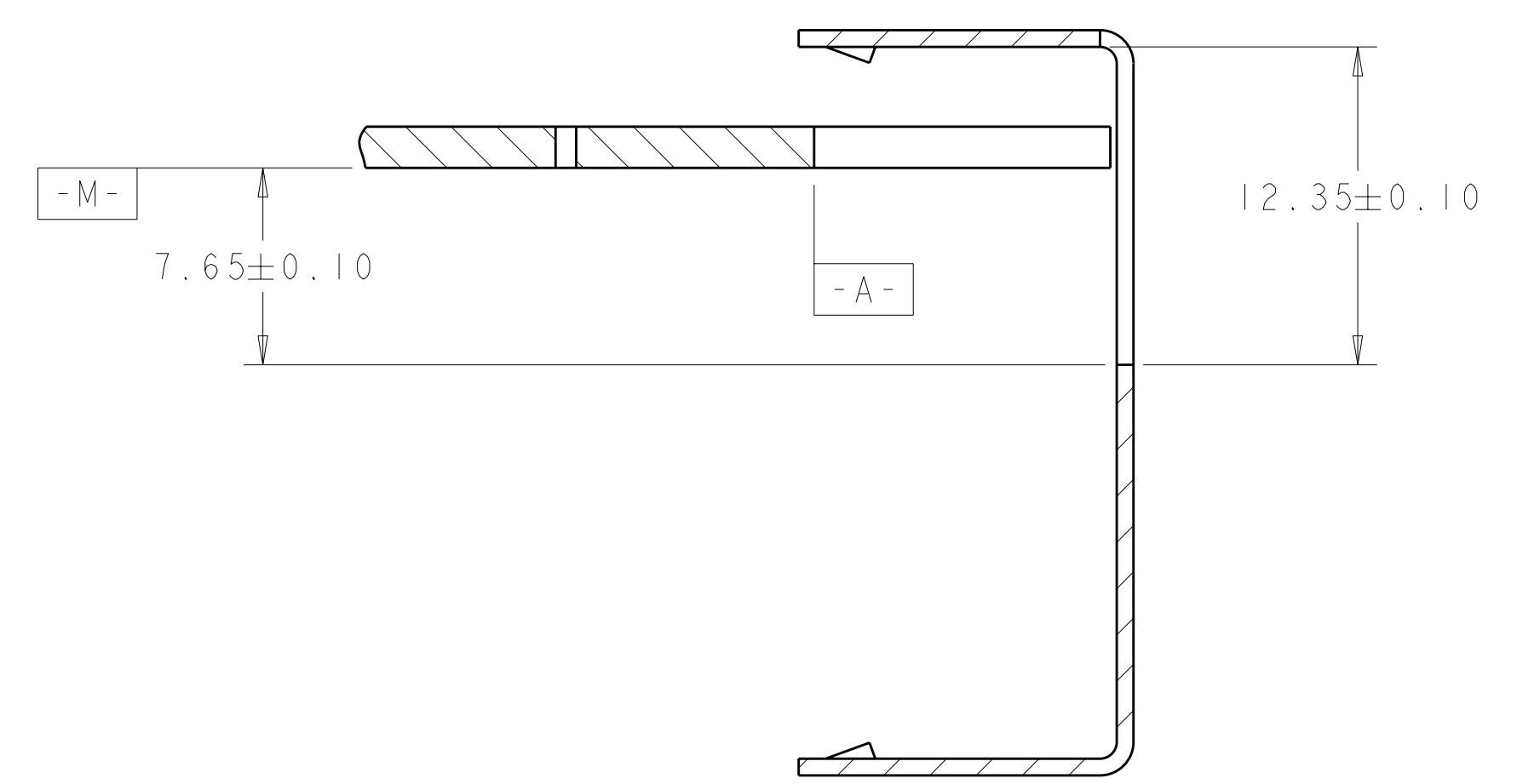


LOC	DIST	REV	DATE	BY	APPD
AA	00				

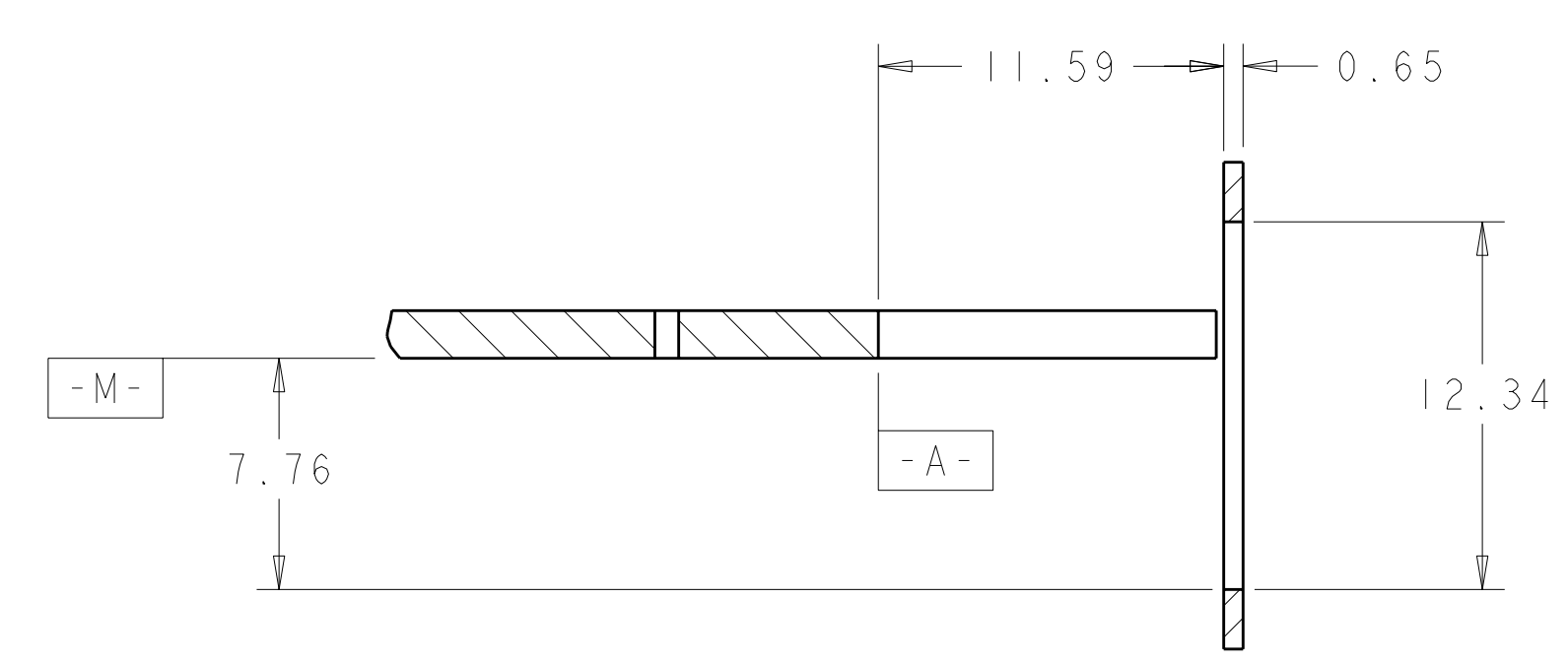
REVISIONS			
REV	DATE	BY	APPD
-	-	-	-
-	-	-	-



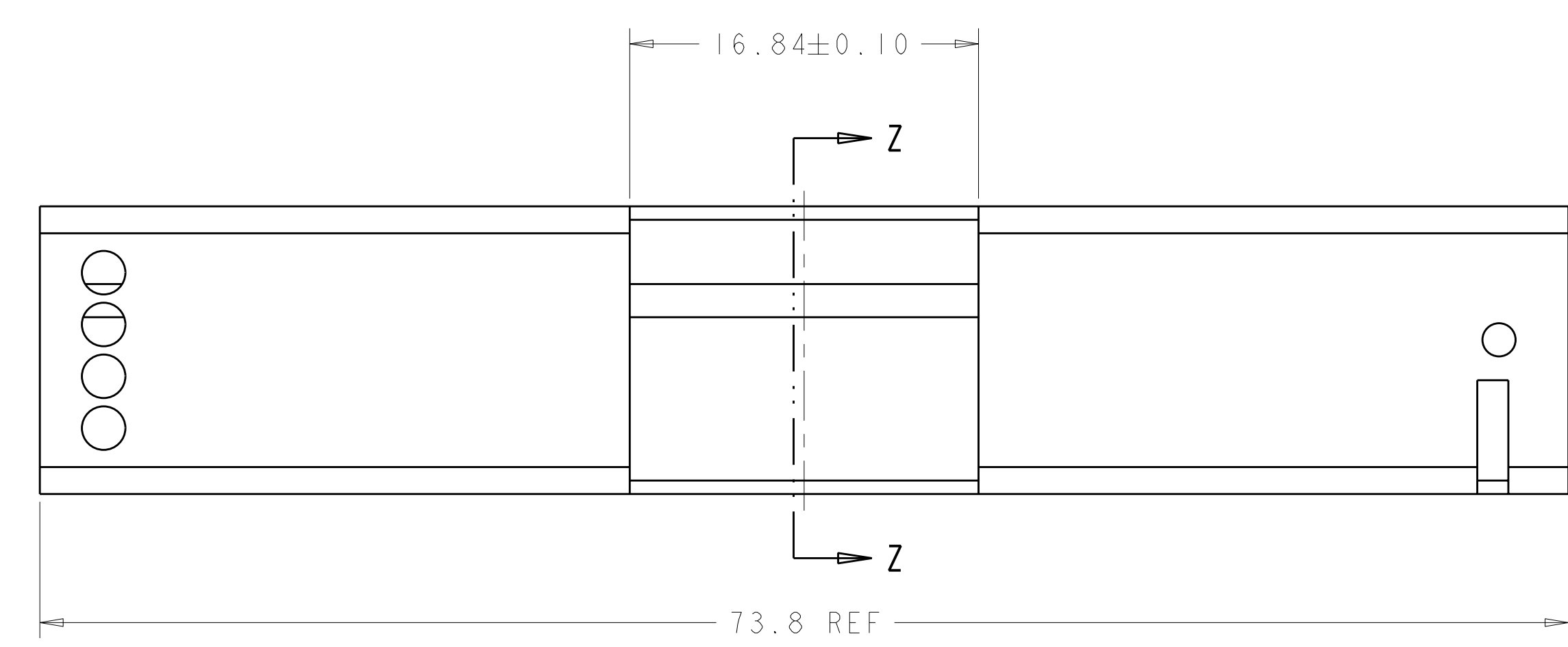
SECTION Z-Z



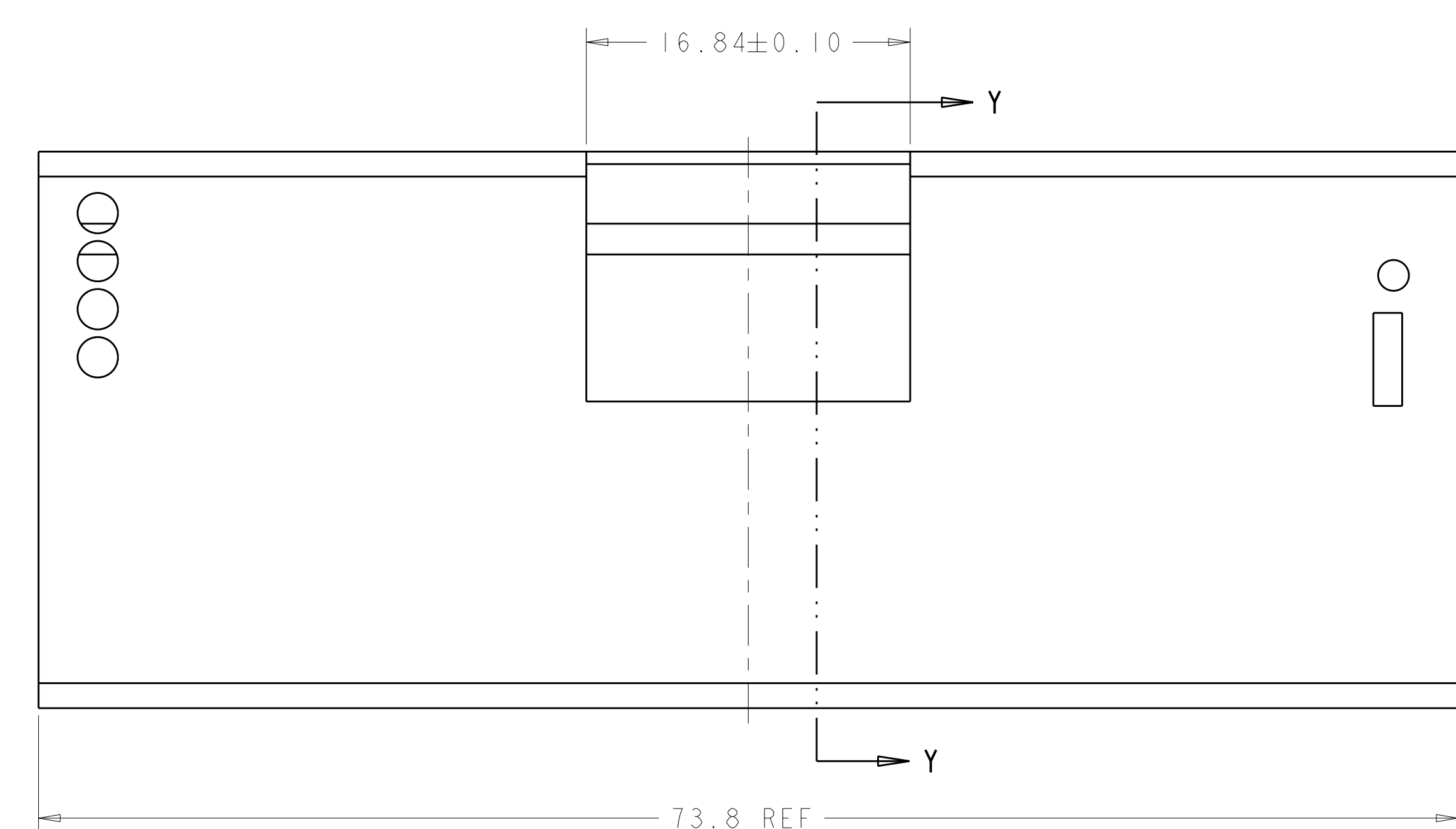
SECTION Y-Y



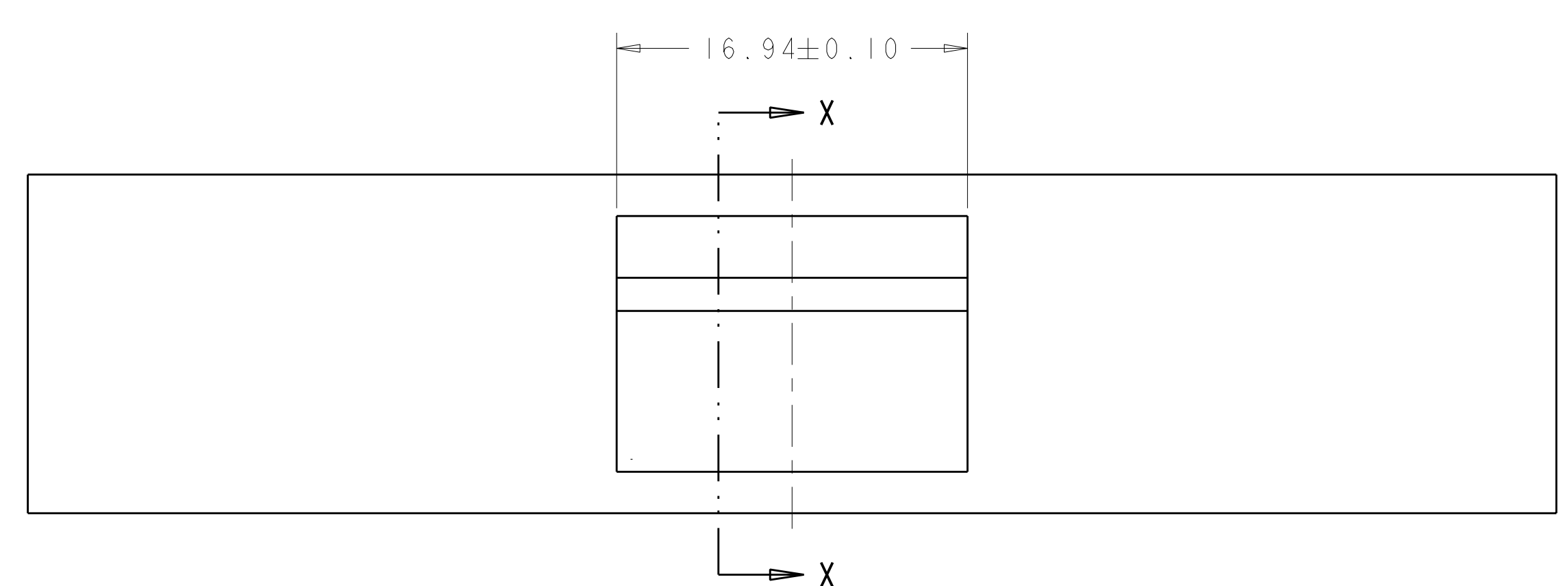
SECTION X-X



AMC SINGLE WIDTH, HALF HEIGHT MODULE FACE PLATE
SCALE 4:1



AMC SINGLE WIDTH, FULL HEIGHT MODULE FACE PLATE
SCALE 4:1



STANDARD FACE PLATE
SCALE 4:1

THIS DRAWING IS A CONTROLLED DOCUMENT.		DWN: MS/L.A.MAYER 15FEB2008	TE Connectivity
DIMENSIONS: mm		CHK: J.WESTMAN 13FEB2008	
TOLERANCES UNLESS OTHERWISE SPECIFIED:		APVD: S.FLICKINGER 15FEB2008	NAME: CONNECTOR ASSEMBLY, LOW PROFILE, PRESS FIT, MODULAR JACK, 1X1, RJ45 PRODUCT SPEC: 108-2274 APPLICATION SPEC: 114-13179
0 PLC ± 1 PLC ± 2 PLC ±0.13 3 PLC ± 4 PLC ± ANGLES ±° FINISH SEE NOTE 1		SIZE: CAGE CODE DRAWING NO: A100779C-1888250 WEIGHT: - CUSTOMER DRAWING	
MATERIAL: SEE NOTE 1		RESTRICTED TO: -	SCALE: 5:1 SHEET: 3 OF 3 REV: C