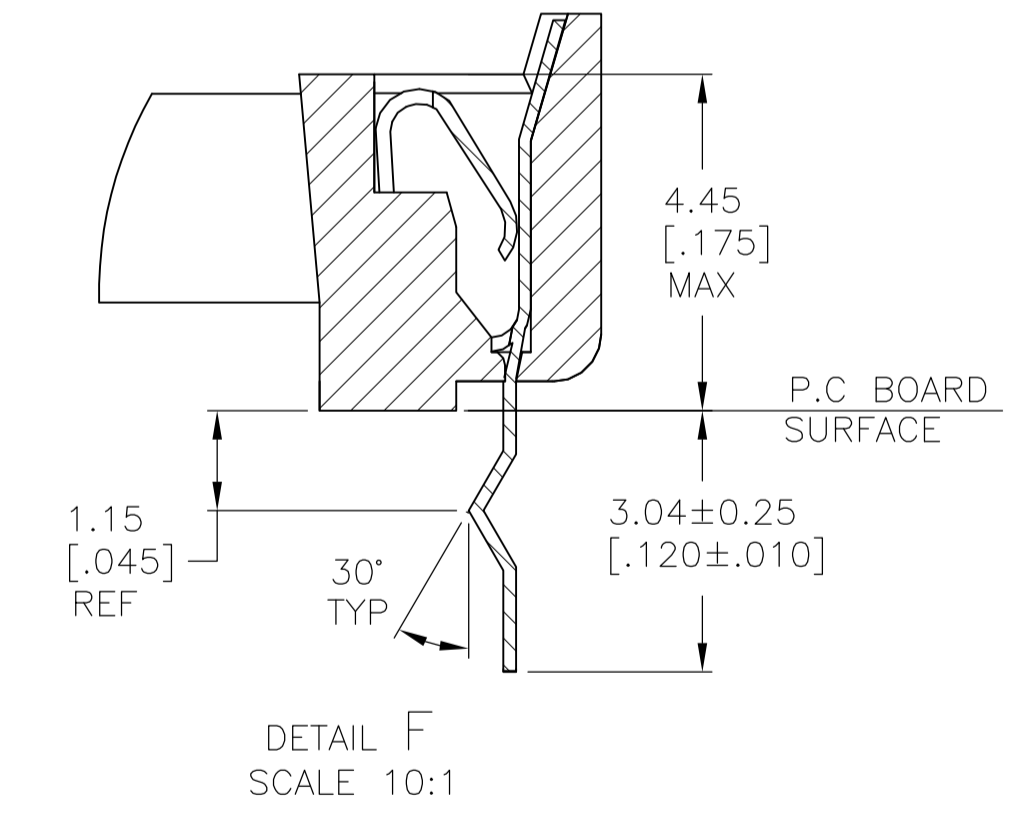
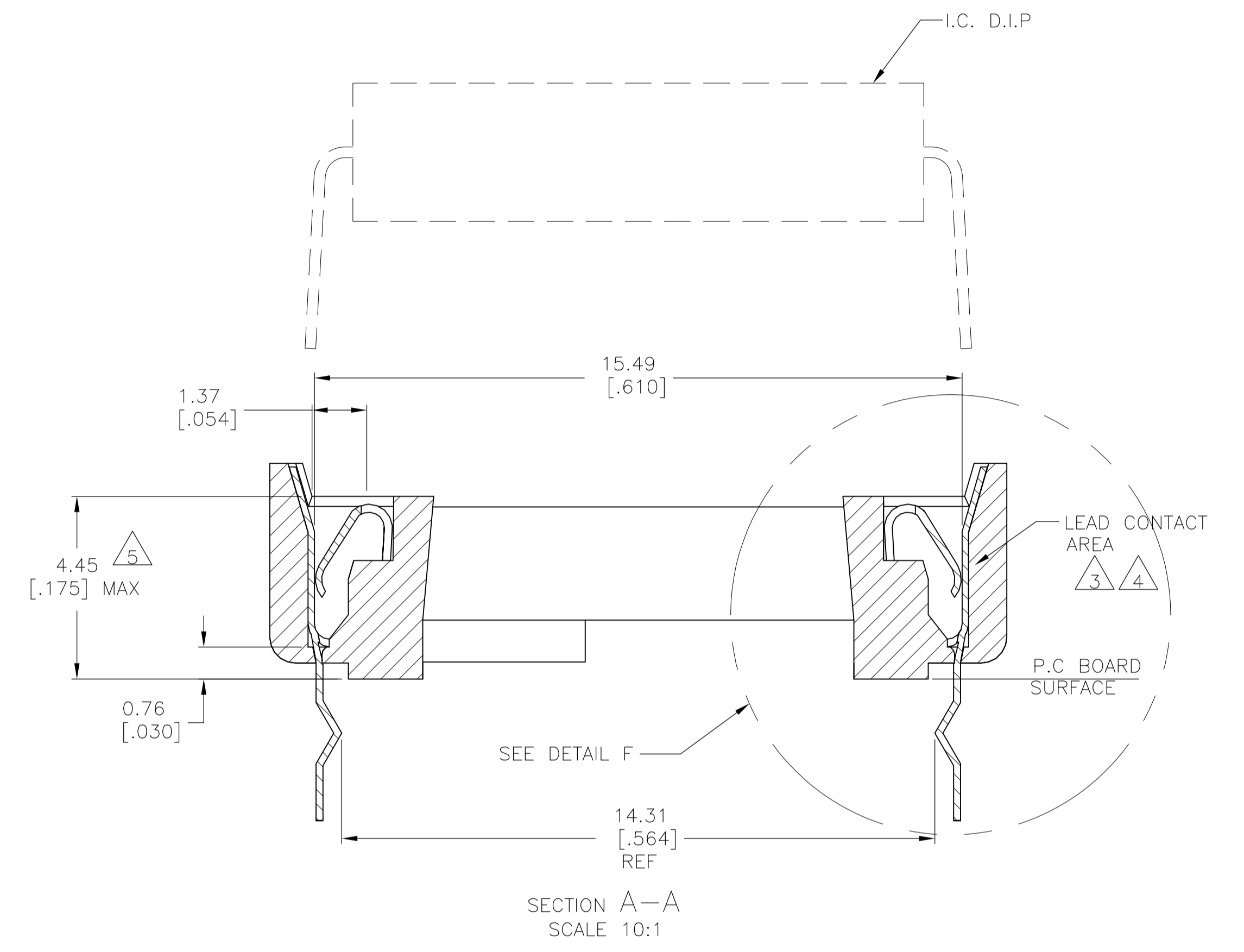


RECOMMENDED MOUNTING HOLE PATTERN SCALE 4:1

- RECEPTACLE ACCEPTS A .008-.014 THICK I.C. LEAD.
- TUBE LOADED FOR AUTOMATIC INSERTION.
- BECCU CONTACT-PLATED WITH TWO .000030 MIN THK. GOLD STRIPES IN CONTACT AREA WITH TIN ON CONTACT LEGS, BALANCE OF CONTACT NICKEL PLATED.
- PHOS. BRONZE CONTACT- PLATED WITH TWO .000015 MIN THK. GOLD STRIPES IN CONTACT AREA WITH TIN ON CONTACT LEGS, BALANCE OF CONTACT NICKEL PLATED.
- MAXIMUM DIMENSION FOR I.C. SEATING PLANE.
- HOUSING MATERIAL-GLASS FILLED THERMOPLASTIC, BLACK, 94V-0



DETAIL F	3	1.500	15	40.51 [1.595]	32	3-1825276-2
DETAIL F	4	1.500	15	40.51 [1.595]	32	2-1825276-2
	3	1.500	15	40.51 [1.595]	32	1-1825276-2
	3	1.300	13	35.43 [1.395]	28	1-1825276-1
	4	1.500	15	40.51 [1.595]	32	1825276-2
	4	1.300	13	35.43 [1.395]	28	1825276-1
COMMENT	FINISH	DIM C	B SPCS	DIM A	POS	PART NO.

THIS DRAWING IS A CONTROLLED DOCUMENT.

DTN R. TALLEY 31OCT94

CHK R. TALLEY 31OCT94

APVD M. HUDDLESTON 31OCT94

NAME M. HUDDLESTON

PRODUCT SPEC 108-1066

APPLICATION SPEC 114-1052

WEIGHT

SIZE A1

CAGE CODE 00779

DRAWING NO. 1825276

RESTRICTED TO

CUSTOMER DRAWING

SCALE 5:1

SHEET 1 OF 1

REV A1

STE TE Connectivity

SOCKET ASSY, DIP, OTC, HT DIPLOMATE