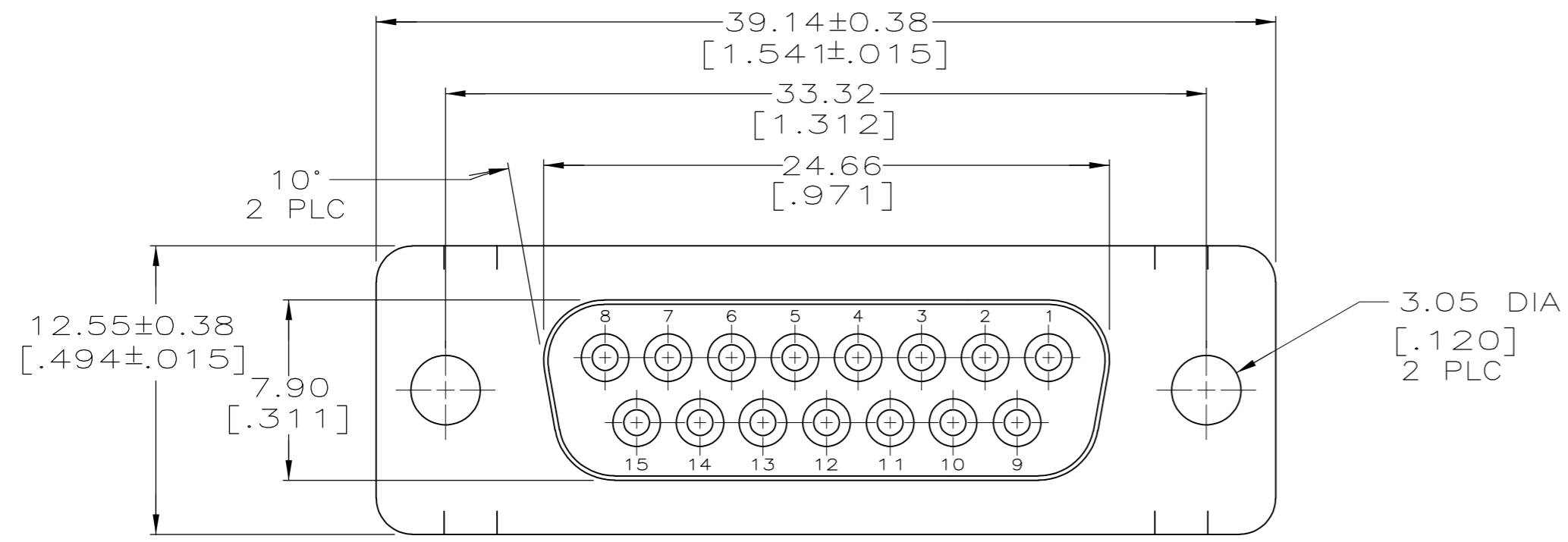
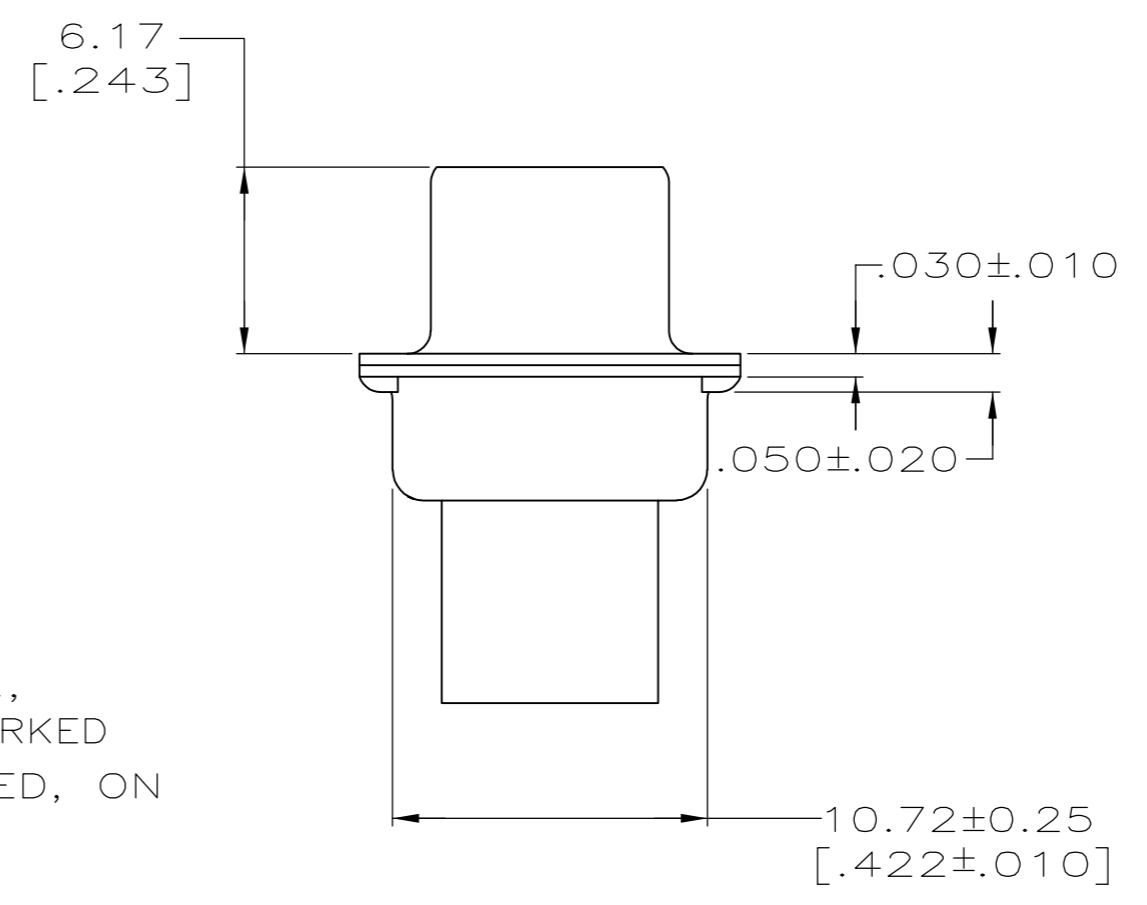
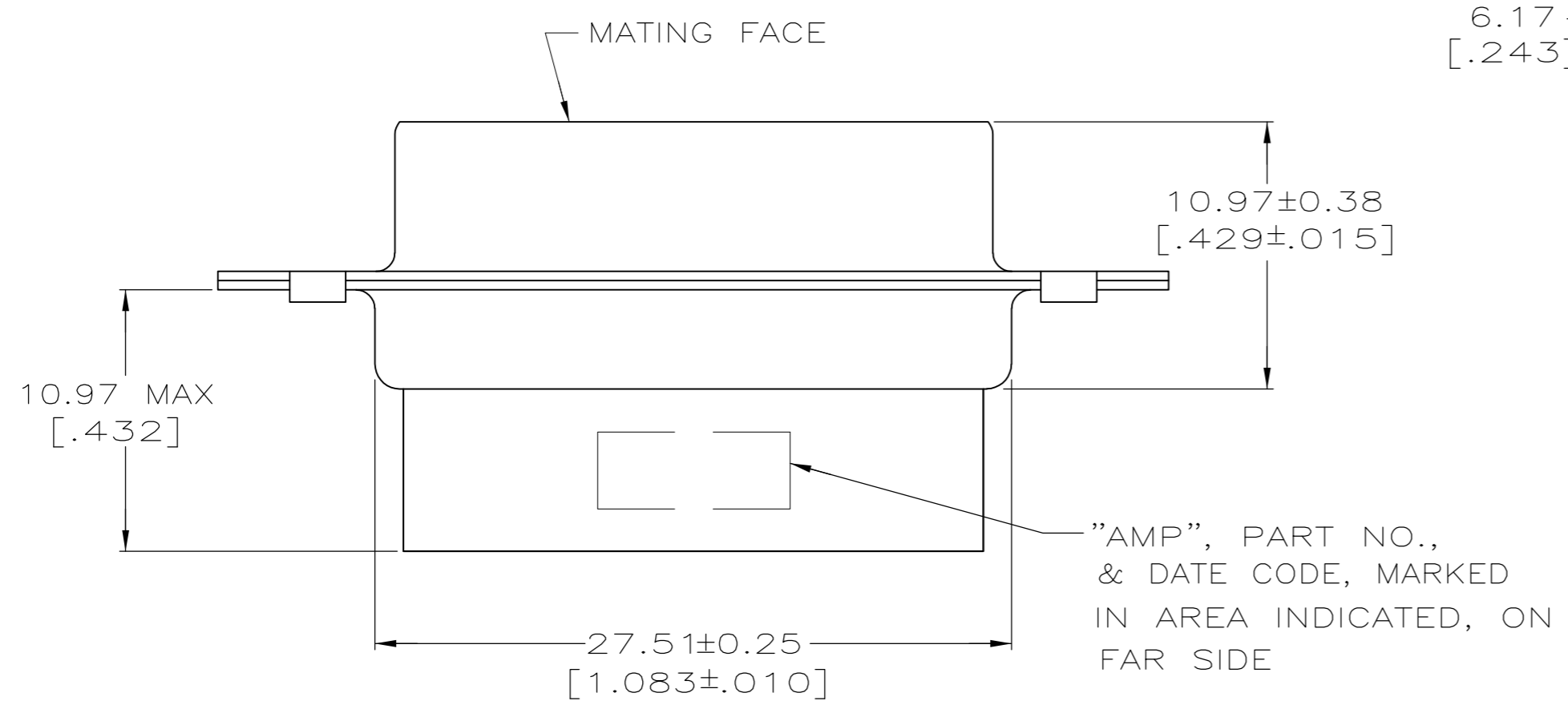


THIS DRAWING IS UNPUBLISHED. RELEASED FOR PUBLICATION
 © COPYRIGHT - By - ALL RIGHTS RESERVED.

LOC		DIST		REVISIONS			
P	LTR	DESCRIPTION		DATE	DWN	APVD	
GP	00	J2	REVISED PER ECO-11-004835	11MAR11	RK	HMR	



- CONNECTOR ACCEPTS SIZE 20 DF SOCKET CONTACTS, RETENTION TINES ARE AN INTEGRAL PART OF INSERT.
- CONNECTOR COMPLIES WITH 108-40005 WHERE APPLICABLE.
- MOLDED PARTS: NYLON, FLAME RETARDANT, 94V-0 RATED, GLASS FILLED, BLACK.
- SHELLS: STEEL PER ASTM A109.
- ZINC PLATED PER ASTM B633; TYPE II; CLASS SC1; YELLOW CHROMATE.
- TIN PLATED PER MIL-T-10727 OVER COPPER PER MIL-C-14550.
- ZINC PLATED .000200-.000400 THICK, YELLOW TRIVALENT CHROMIUM CHROMATE COATING.



SUPERSEDED BY 205205-1	STANDARD	7	205205-7
	SMALL PACK	5	205205-5
	STANDARD	6	205205-2
OBSOLETE	STANDARD	5	205205-1
	PACKAGING TYPE	SHELL FINISH	PART NO

THIS DRAWING IS A CONTROLLED DOCUMENT.		DWN	S. WELDON	7-19-85	STE TE Connectivity																		
DIMENSIONS: INCHES		CHK	J. GERACE	7-29-85																			
TOLERANCES UNLESS OTHERWISE SPECIFIED:		APVD	V. KUMAR	7-31-85																			
<table border="1"> <tr><td>0 PLC</td><td>±</td><td>-</td></tr> <tr><td>1 PLC</td><td>±</td><td>-</td></tr> <tr><td>2 PLC</td><td>±</td><td>0.13 [.005]</td></tr> <tr><td>3 PLC</td><td>±</td><td>-</td></tr> <tr><td>4 PLC</td><td>±</td><td>-</td></tr> <tr><td>ANGLES</td><td>±</td><td>2°</td></tr> </table>		0 PLC	±	-		1 PLC	±	-	2 PLC	±	0.13 [.005]	3 PLC	±	-	4 PLC	±	-	ANGLES	±	2°	PRODUCT SPEC	NAME	
0 PLC	±	-																					
1 PLC	±	-																					
2 PLC	±	0.13 [.005]																					
3 PLC	±	-																					
4 PLC	±	-																					
ANGLES	±	2°																					
MATERIAL	SEE NOTES	FINISH	SHELLS: SEE TABLE		WEIGHT	-	SIZE	A2	CAGE CODE	00779	DRAWING NO	C=205205	RESTRICTED TO	-									
CUSTOMER DRAWING		SCALE		4:1	SHEET	1 of 1	REV	J2															