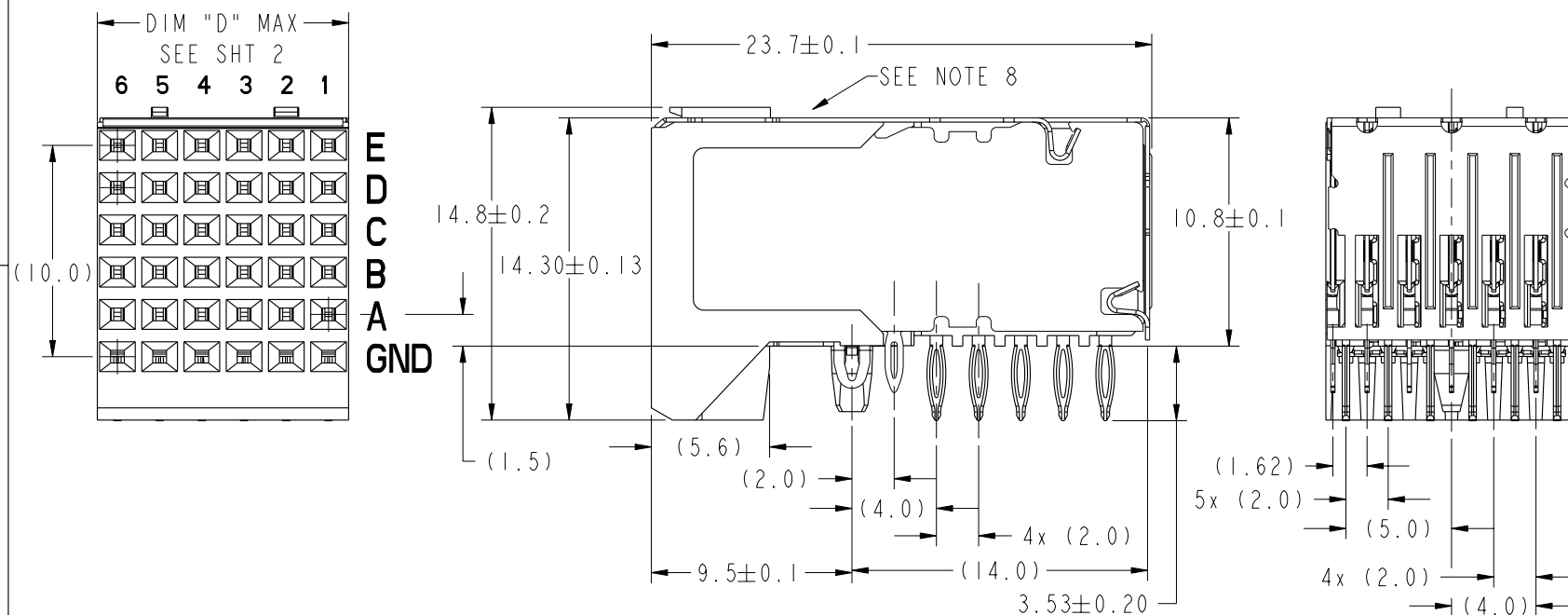


This document is the property of and embodies  
 CONFIDENTIAL and PROPRIETARY information of FCI.  
 No part of the information shown on this  
 document may be used in any way or disclosed  
 to others without the written consent of FCI.  
 Copyright FCI.



PRODUCT NUMBER SEE NOTE 13	CONTACT PLATING PERFORMANCE LEVEL	PRESS-FIT TAIL PLATING	DIM "C"	DIM "D"
84854-101	TELCORDIA CO	SnPb	--	11.98
84854-101LF		Sn		
84854-102		SnPb	12.00	23.98
84854-102LF		Sn		
84854-103		SnPb	24.00	35.98
84854-103LF		Sn		
84854-104		SnPb	36.00	47.98
84854-104LF		Sn		
84854-105		SnPb	48.00	59.98
84854-105LF		Sn		
84854-106		SnPb	60.00	71.98
84854-106LF		Sn		

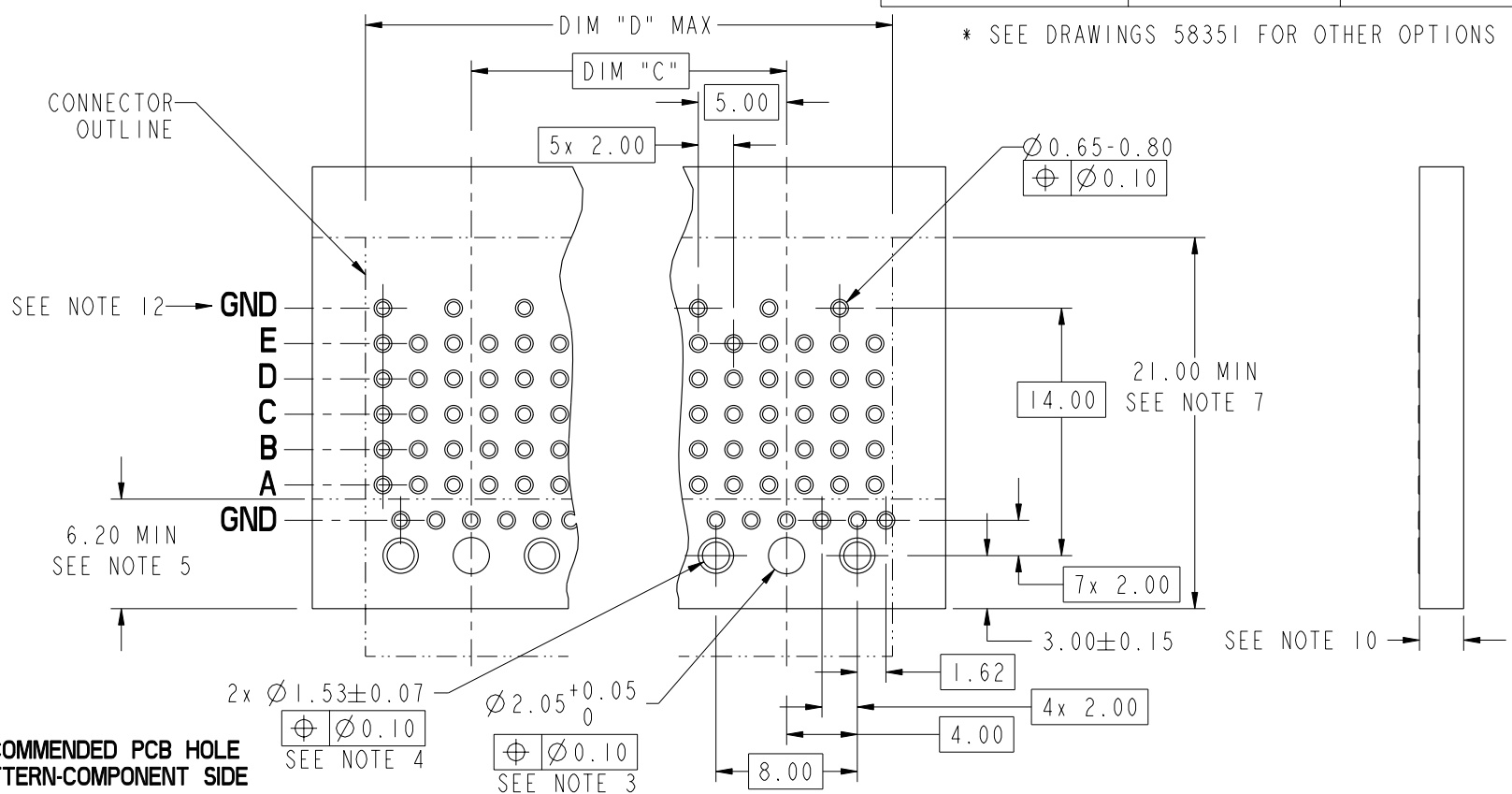


mat'l code SEE NOTE 2				tolerances unless otherwise specified		CUSTOMER	FCI www.fciconnect.com	
ltr	ecm no.	dr	date	linear	0.X ±0.3	COPY	title	
N	V06-0569	DCH	2006-06-12	linear	0.XX ±0.10	projection	RIGHT ANGLE SIGNAL RECEPTACLE	
P	V07-0353	HTB	2007-06-05	angles	0.XXX ±0.050		5 ROW MONOBLOCK FOR 3.4 PCB	
R	V07-0434	DCH	2007-06-28	angles	0° ±2°	MM	product family	METRAL 1000
S	V08-0085	HTB	2008-02-19	dr	S. KLINE 2001-07-10	← MM →	size	dwg no
-	-	-	-	enrg	W.J. SWAIN 2001-07-10	scale	A	84854
L	V04-0240	TAB	2004-07-06	chr	W.J. SWAIN 2001-07-10	3:1	code	213
M	V05-0772	VS	2005-08-24	appd	W.J. SWAIN 2001-07-10		sheet	1 of 4
sheet index	revision sheet	S 1	S 2	S 3	S 4			

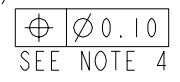
PRODUCT NUMBER  
SEE SHEET 1

PRESS-FIT HOLES

HOLE DIAMETER AFTER PLATING	$\varnothing 0.65 - \varnothing 0.80$ *	$\varnothing 1.53$
DRILLED HOLE	$\varnothing 0.81 - \varnothing 0.86$ ( $\varnothing 0.85$ DRILL)	$\varnothing 1.61 - \varnothing 1.66$ ( $\varnothing 1.65$ DRILL)
COPPER PLATING	0.025-0.050	0.025-0.050
SnPb PLATING	0.005-0.015	0.005-0.015



RECOMMENDED PCB HOLE  
PATTERN-COMPONENT SIDE



mat'l code SEE NOTE 2		tolerances unless otherwise specified		CUSTOMER		FCj www.fciconnect.com	
ltr	ecr no.	dr	date	linear	0.X ± 0.3	COPY	title RIGHT ANGLE SIGNAL RECEPTACLE 5 ROW MONOBLOCK FOR 3.4 PCB
S				linear	0.XX ± 0.10	projection	
				angles	0.XXX ± 0.050		
				dr	S. KLINE 2001-07-10	MM	product family METRAL 1000 code
				enr	W. J. SWAIN 2001-07-10	← MM →	size
				chr	W. J. SWAIN 2001-07-10	scale	dwg no
				appd	W. J. SWAIN 2001-07-10	1:1	84854
sheet index	revision sheet						sheet 2



This document is the property of and embodies  
CONFIDENTIAL and PROPRIETARY information of FCj.  
No part of the information shown on this  
document may be used in any way or disclosed  
to others without the written consent of FCj.  
Copyright FCj.

PRODUCT NUMBER  
SEE SHEET 1

NOTES

- 1. UNLESS OTHERWISE SPECIFIED ALL DIMENSIONS AND TOLERANCES ARE IN ACCORDANCE WITH ASME Y14.5M, 1994.
- 2. HOUSING MATERIAL: LIQUID CRYSTAL POLYMER, GLASS FILLED FLAME RETARDANT PER UL94V-0  
GROUND SHIELD MATERIAL: COPPER ALLOY  
SIGNAL CONTACT MATERIAL: COPPER ALLOY
- 3. Ø2.05 HOLE IS UNPLATED.
- 4. Ø1.53 PLATED HOLES (2x) ARE FOR GROUNDS.
- 5. AVOID TRACES IN THIS AREA ON TOP OF PCB DUE TO EXPOSED GROUND SHIELD.
- 6. UNDERPLATING FOR SHIELD AND SIGNAL CONTACTS IS 1.3 µm Ni MIN.
- 7. COMPONENT KEEP OUT ZONE FOR PRESS BLOCK CLEARANCE.
- 8. PRODUCT MARKING: PRODUCT NUMBER, DATE AND LOT CODE
- 9. SEE GS-20-017 FOR APPLICATION OF CONNECTOR TO PCB.
- 10. PCB THICKNESS RANGE: 1.3mm TO 3.4mm.
- 11. SEE PRODUCT SPECIFICATION GS-12-110 FOR PRODUCT PERFORMANCE CHARACTERISTICS.
- 12. THIS GROUND ROW OF VIA-HOLES ONLY REQUIRED FOR PREVIOUS REVISIONS OF THIS DESIGN WHERE THE TOP SHIELDS HAD EON PRESS-FIT. DUE TO INVENTORIES OF PREVIOUS VERSION WE RECOMMEND THEY BE DESIGNED IN.
- 13. PRODUCTS WHERE THE PART NUMBER ENDS IN LF MEET EUROPEAN UNION DIRECTIVES AND OTHER COUNTRY REGULATIONS AS DESCRIBED IN GS-22-008. ALL PRODUCTS WILL WITHSTAND EXPOSURE TO 260° FOR 60 SECONDS IN A CONVECTION, INFRA-RED OR VAPOR PHASE REFLOW OVEN.



This document is the property of and embodies CONFIDENTIAL and PROPRIETARY information of FCI. No part of the information shown on this document may be used in any way or disclosed to others without the written consent of FCI. Copyright FCI.

mat'l code SEE NOTE 2				tolerances unless otherwise specified		CUSTOMER		FCI www.fciconnect.com	
ltr	ecr no.	dr	date	linear	0.X ±0.3	COPY		title RIGHT ANGLE SIGNAL RECEPTACLE 5 ROW MONOBLOCK FOR 3.4 PCB	
S					0.XX ±0.10	projection			
				angles	0.XXX ±0.050				
					0° ±2°			product family METRAL 1000 code	
				dr	S. KLINE 2001-07-10			size	
				enr	W. J. SWAIN 2001-07-10	A		dwg no	
				chr	W. J. SWAIN 2001-07-10	84854		213	
				appd	W. J. SWAIN 2001-07-10	3		sheet	
sheet index		revision sheet							

A

A

B

B

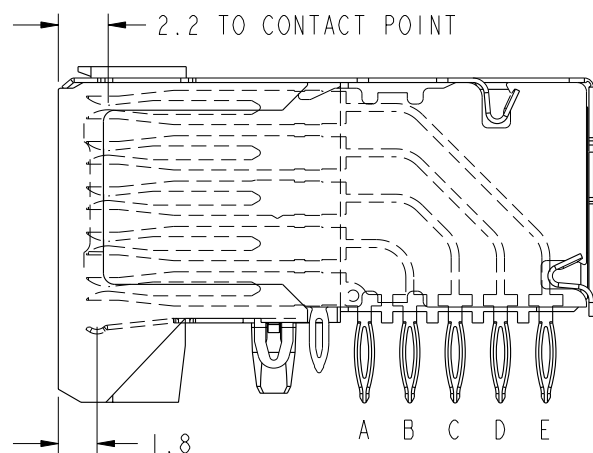
1 | 2

3 |

4

PRODUCT NUMBER  
SEE SHEET 1

DISTANCE FROM CONTACT POINT TO BOARD	
CONTACT	DISTANCE
A	12.5
B	16.2
C	19.5
D	22.3
E	25.2



CONTACT POINT AND SKEW



This document is the property of and embodies CONFIDENTIAL and PROPRIETARY information of FCI. No part of the information shown on this document may be used in any way or disclosed to others without the written consent of FCI. Copyright FCI.

mat'l code SEE NOTE 2				tolerances unless otherwise specified		CUSTOMER		www.fciconnect.com	
ltr	ecn no.	dr	date	linear	0.X ±0.3		COPY		title RIGHT ANGLE SIGNAL RECEPTACLE 5 ROW MONOBLOCK FOR 3.4 PCB
S					0.XX ±0.10		projection		
					0.XXX ±0.050				
				angles	0° ±2°				product family METRAL 1000 code
				dr	S. KLINE	2001-07-10	scale		size
				engr	W. J. SWAIN	2001-07-10	3:1		dwg no
				chr	W. J. SWAIN	2001-07-10	A		84854
				appd	W. J. SWAIN	2001-07-10			sheet
sheet index	revision sheet								4

1 | 2

Pro/E

3 |

cage code 22526

4