

# MSR Series

Bare Metal Element Resistors



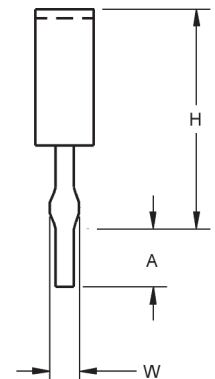
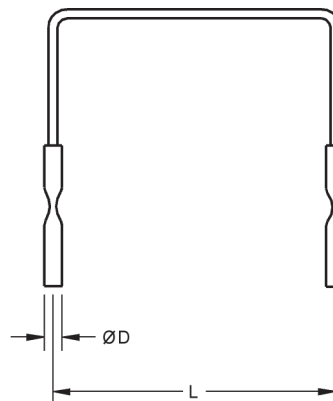
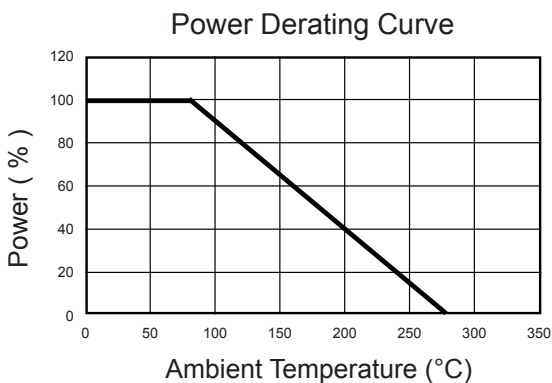
- Resistances from 0.005 to 0.100Ohms
- Tolerance to  $\pm 1\%$
- Resistance Wire TCR:  $\pm 20\text{ppm/K}$
- For Current Sensing and Shunt Applications
- All Welded Construction
- Low Inductance (  $<10\text{nH}$  )
- Economical Bare Metal Element



## SPECIFICATIONS

Type	Power Rating Watts @ 85°C	Resistance ( $\Omega$ ) <sup>1</sup>	Tolerances	Dimensions				
				L $+0.040 / -0.020$ " [+1.0 / -0.5mm]	H $\pm 0.100$ " [ $\pm 2.5\text{mm}$ ]	D $\pm 0.002$ " [ $\pm 0.05\text{mm}$ ]	W $+0.010 / -0.005$ " [+0.25 / -0.13mm]	A $\pm 0.030$ " [ $\pm 0.8\text{mm}$ ]
<b>MSR-1</b>	1	0.005, 0.01, 0.02, 0.025, 0.03, 0.04, 0.05, 0.1	$\pm 1\% / \pm 5\%$	0.450 [11.4]	0.200 [5.1]	0.040 [1.0]	0.065 [1.7]	0.125 [3.2]
<b>MSR-3</b>	3	0.005, 0.01, 0.015, 0.02, 0.025, 0.03, 0.04, 0.05, 0.1	$\pm 1\% / \pm 5\%$	0.600 [15.2]	1.0 [25.4] MAX	0.040 [1.0]	0.065 [1.7]	0.125 [3.2]
<b>MSR-5</b>	5	0.005, 0.01, 0.015, 0.02, 0.025, 0.03, 0.05, 0.1	$\pm 1\% / \pm 5\%$	0.800 [20.3]	1.0 [25.4] MAX	0.040 [1.0]	0.065 [1.7]	0.125 [3.2]

<sup>1</sup> Call Factory for Other Resistances



## Ordering Information

Part Number - Resistance - Tolerance

Example: MSR-3 0.100Ohm 1%