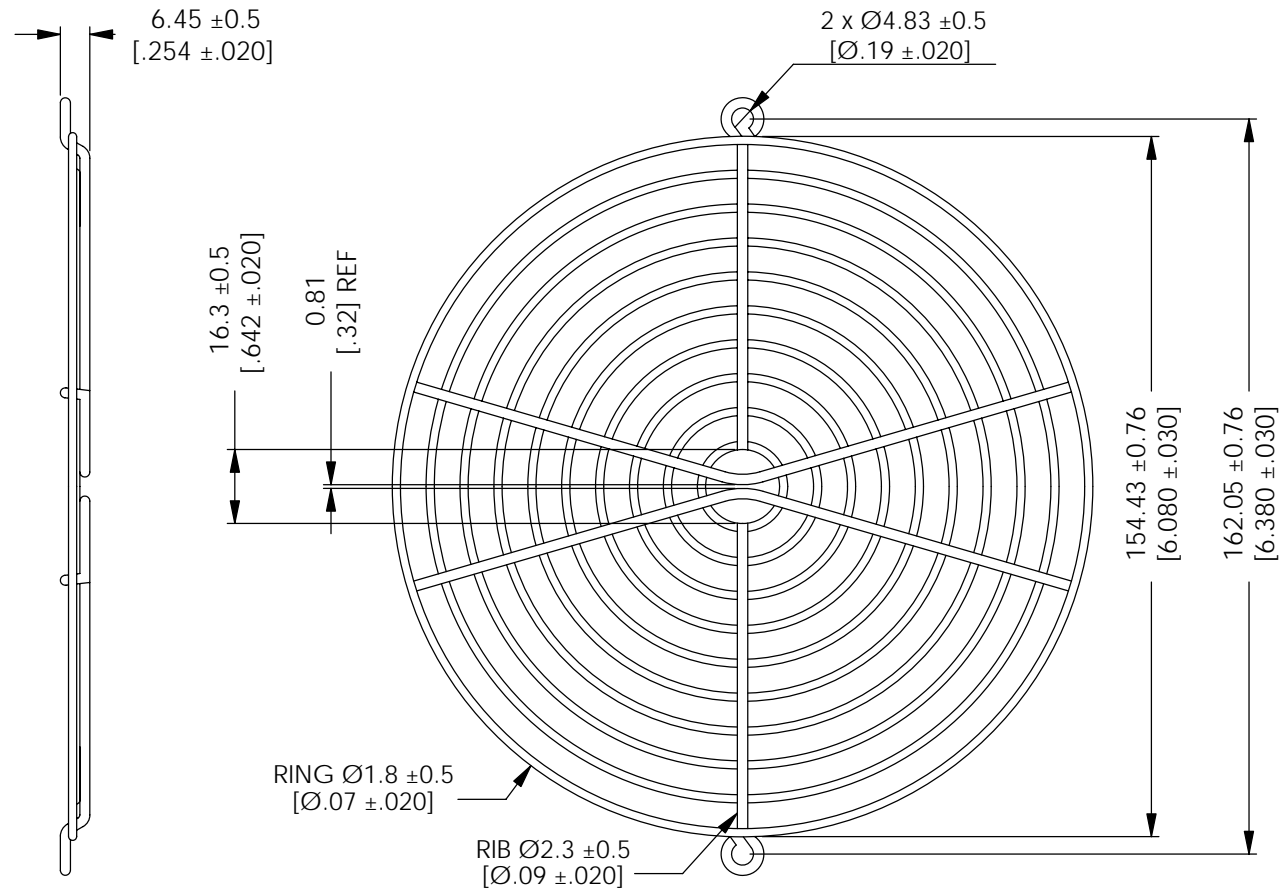


REV.	MODIFICATION.	DATE	DRN
A	NEW DWG	140301	JPM
B	ECR04-205	081204	NJB
C	ECR05-039	290305	OW
04	ECN2006-069	31/05/06	OW
05	ECN2007-195	14/11/07	SF



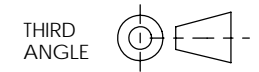
**NOTES**

- 1a) METRIC PRIMARY UNITS:mm
- 1b) IMPERIAL SECONDARY UNITS: [inches]
- 2) SPACING BETWEEN RINGS TO BE EQUIDISTANT 5.67 ±0.5 [.223 ±.020].
- 3) MATERIAL:  
STEEL WIRE ELECTROPLATED(RMS-261)  
PLATING: NICKEL CHROME(RMS-229)

INFORMATION CONTAINED IN THIS DOCUMENT IS CONFIDENTIAL TO RICHCO INTERNATIONAL Co. Ltd. AND MAY NOT BE DISCLOSED OR REPRODUCED IN WHOLE OR PART WITHOUT THEIR WRITTEN CONSENT.



GENERAL TOLERANCES ±0.25 [.010]  
UNLESS OTHERWISE STATED  
1 DECIMAL PLACE ±  
2 DECIMAL PLACES ±  
ANGULAR ±1°



MATERIAL: See note 3		COLOUR: NICKEL CHROME	
DESCRIPTION: METAL FAN GUARD		PART No: RCOFM-150-A	
DRG No: 999-0196	NPR No: N/A	SHEET SIZE A4	
DRN OW	DATE 29/03/05	CHKD NBr	DATE 30/03/05
SCALE NTS	SHEET No. 1 OF 1		