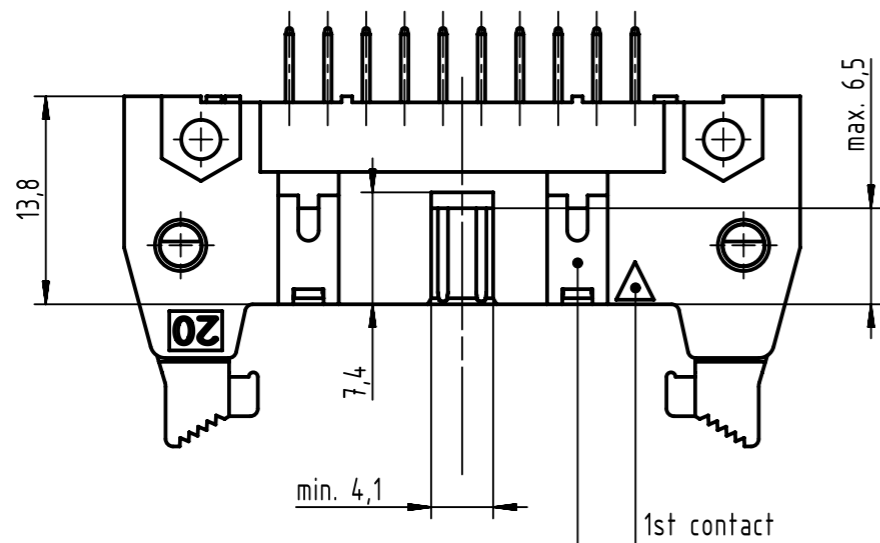
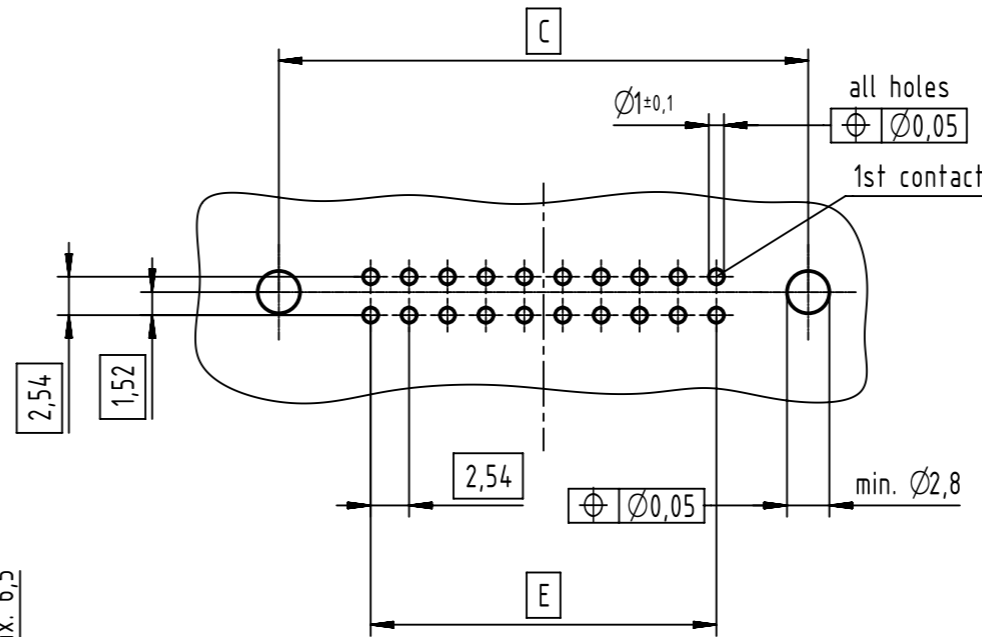
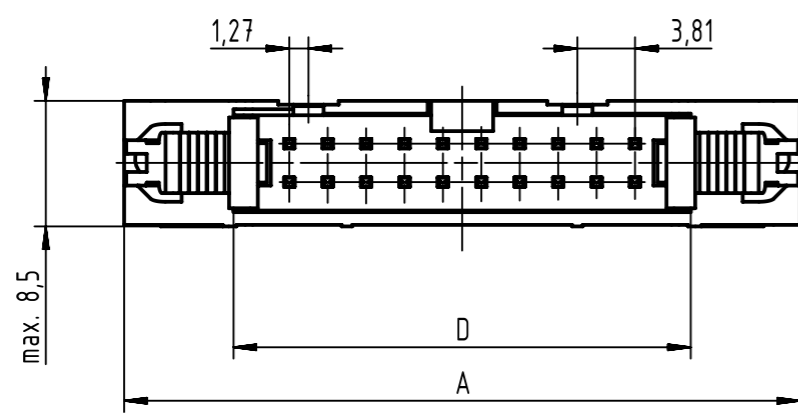
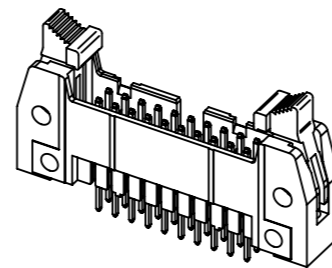


PCB layout  
view component side  
thickness up to 3,2



see table for coding,  
feature arrangement and style




coding style table	
	style A: for connectors 6-pole
	style B: for connectors from 10 to 14-pole
	style C: for connectors from 16 to 64-pole

further information  
see: DS 09181200001

full range of P/N's and  
dimensions shown on page 2/2

	All Dimensions in mm Original Size DIN A3	Scale 2:1	Free size tol. IEC 60603-13	Ref. Sub. TB 09185XXX912 / 500000087654 / 2015-04-08	
	All rights reserved Department EC PD - DE	Created by STORCK	Inspected by TADJE	Standardisation KOHLER	Date 2015-12-21
HARTING Electronics GmbH D-32339 Espelkamp		Title SEK 18 male standard conn straight with short lever 4.5			Doc-Key / ECM-Nr. 100154464/UGD/020/A 50000094595
		Type TB	Number 09185XXX912		Rev. A Page 1/2

no. of contacts	performance level			insulator colour	dimensions				
	PL3	PL2	S4		A max.	C	D	E	F
	part number	part number	part number						
06	09 18 506 7912	09 18 506 6912	09 18 506 5912	grey	27,2	22,86	12,45	2,54 x 2 = 5,08	36,9
10	09 18 510 7912	09 18 510 6912	09 18 510 5912		32,3	27,94	17,53	2,54 x 4 = 10,16	42,0
14	09 18 514 7912	09 18 514 6912	09 18 514 5912		37,4	33,02	22,61	2,54 x 6 = 15,24	47,1
16	09 18 516 7912	09 18 516 6912	09 18 516 5912		39,9	35,56	25,15	2,54 x 7 = 17,78	49,6
20	09 18 520 7912	09 18 520 6912	09 18 520 5912		45,0	40,64	30,23	2,54 x 9 = 22,86	54,7
24	09 18 524 7912	09 18 524 6912	09 18 524 5912		50,1	45,72	35,91	2,54 x 11 = 27,94	59,8
26	09 18 526 7912	09 18 526 6912	09 18 526 5912		52,6	48,26	37,85	2,54 x 12 = 30,48	62,3
30	09 18 530 7912	09 18 530 6912	09 18 530 5912		58,0	53,34	43,83	2,54 x 14 = 35,56	68,2
34	09 18 534 7912	09 18 534 6912	09 18 534 5912		62,8	58,42	48,01	2,54 x 16 = 40,64	72,5
40	09 18 540 7912	09 18 540 6912	09 18 540 5912		70,4	66,04	55,63	2,54 x 19 = 48,26	80,1
50	09 18 550 7912	09 18 550 6912	09 18 550 5912		83,1	78,74	68,33	2,54 x 24 = 60,96	92,8
60	09 18 560 7912	09 18 560 6912	09 18 560 5912		95,8	91,44	81,03	2,54 x 29 = 73,66	105,5
64	09 18 564 7912	09 18 564 6912	09 18 564 5912		100,9	96,52	86,11	2,54 x 31 = 78,74	110,6
06	09 18 506 7912 001	09 18 506 6912 001	09 18 506 5912 001		black	27,2	22,86	12,45	2,54 x 2 = 5,08
10	09 18 510 7912 001	09 18 510 6912 001	09 18 510 5912 001	32,3		27,94	17,53	2,54 x 4 = 10,16	42,0
14	09 18 514 7912 001	09 18 514 6912 001	09 18 514 5912 001	37,4		33,02	22,61	2,54 x 6 = 15,24	47,1
16	09 18 516 7912 001	09 18 516 6912 001	09 18 516 5912 001	39,9		35,56	25,15	2,54 x 7 = 17,78	49,6
20	09 18 520 7912 001	09 18 520 6912 001	09 18 520 5912 001	45,0		40,64	30,23	2,54 x 9 = 22,86	54,7
24	09 18 524 7912 001	09 18 524 6912 001	09 18 524 5912 001	50,1		45,72	35,91	2,54 x 11 = 27,94	59,8
26	09 18 526 7912 001	09 18 526 6912 001	09 18 526 5912 001	52,6		48,26	37,85	2,54 x 12 = 30,48	62,3
30	09 18 530 7912 001	09 18 530 6912 001	09 18 530 5912 001	58,0		53,34	43,83	2,54 x 14 = 35,56	68,2
34	09 18 534 7912 001	09 18 534 6912 001	09 18 534 5912 001	62,8		58,42	48,01	2,54 x 16 = 40,64	72,5
40	09 18 540 7912 001	09 18 540 6912 001	09 18 540 5912 001	70,4		66,04	55,63	2,54 x 19 = 48,26	80,1
50	09 18 550 7912 001	09 18 550 6912 001	09 18 550 5912 001	83,1		78,74	68,33	2,54 x 24 = 60,96	92,8
60	09 18 560 7912 001	09 18 560 6912 001	09 18 560 5912 001	95,8		91,44	81,03	2,54 x 29 = 73,66	105,5
64	09 18 564 7912 001	09 18 564 6912 001	09 18 564 5912 001	100,9		96,52	86,11	2,54 x 31 = 78,74	110,6

	All rights reserved Department EC PD - DE	Created by STORCK	Inspected by TADJE	Standardisation KOHLER	Date 2015-12-21	State Final Release	Ref. Sub. TB 09185XXX912 / 500000087654 / 2015-04-08
	HARTING Electronics GmbH D-32339 Espelkamp	Title SEK 18 male standard conn straight with short lever 4.5			Doc-Key / ECM-Nr. 100154464/UGD/020/A 500000094595		Rev. <b>A</b>