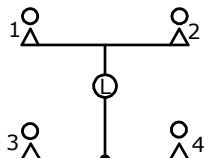


RECOMMENDED PANEL MOUNTING

| PANEL THICKNESS | X    |
|-----------------|------|
| 0.75-1.25       | 19.2 |
| 1.25-2.00       | 19.4 |
| 2.00-3.00       | 19.6 |



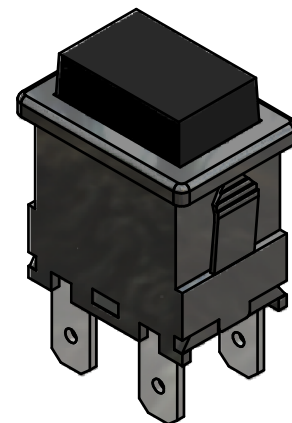
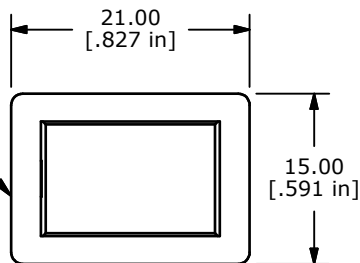
DPST  
OFF- ON

| SWITCH FUNCTION |         |
|-----------------|---------|
| POS. 1          | POS. 2  |
|                 |         |
| OFF             | ON      |
| OPEN            | 1-2,3-4 |

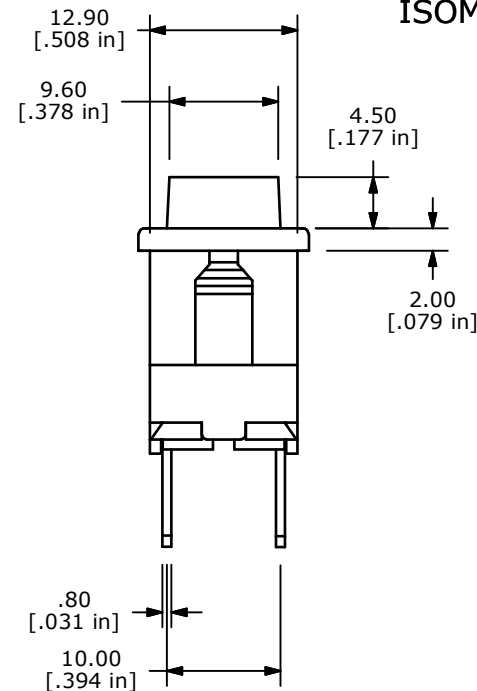
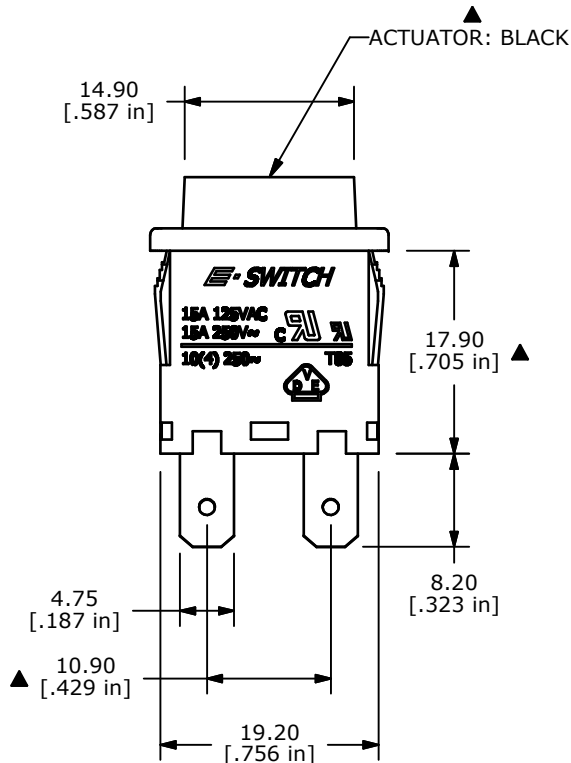
NOTES: (ON)= MOMENTARY

- ALL DIMENSIONS IN MM [INCH]
- GENERAL TOLERANCE: X.X=± 0.4  
X.XX=± 0.25
- MECHANICAL LIFE: 30,000
- ELECTRICAL LIFE: 10,000
- CONTACT RESISTANCE: 20 MILLI OHMS
- INSULATION RESISTANCE: 1000 MEGA OHMS
- OPERATING TEMPERATURE: -10°C TO 55°C
- CONTACT RATING: 15A-250 VAC, 125VAC UL APPROVED  
10A 250VAC, VDE APPROVED
- DIELECTRIC STRENGTH: 1500V FOR 1 MIN
- ▲ DENOTES CRITICAL PARAMETER
- 2002/95/EC (RoHS) COMPLIANT.
- OPERATING FORCE: 1000±100grams

HOUSING: BLACK



ISOMETRIC



TITLE PB1973EBLKBLKEF0

|     |        |                 |         |    |
|-----|--------|-----------------|---------|----|
| B   | 17722  | ADDED NOTE # 12 | 9/27/07 | BF |
| REV | PCR NO | DESCRIPTION     | DATE    | BY |

|         |           |    |         |     |
|---------|-----------|----|---------|-----|
| SCALE   | DATE      | DR | DWG     | REV |
| 1.5 : 1 | 9/27/2007 | BF | M197313 | B   |

THE INFORMATION CONTAINED IN THIS DOCUMENT IS PROPRIETARY TO E-SWITCH AND IS NOT TO BE COPIED OR TRANSFERRED