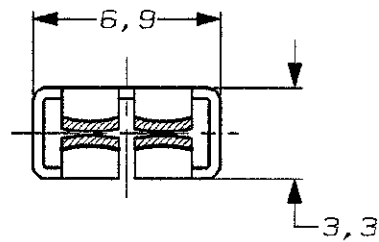
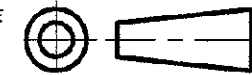


DO NOT SCALE

DIMENSIONS IN mm

METRIC

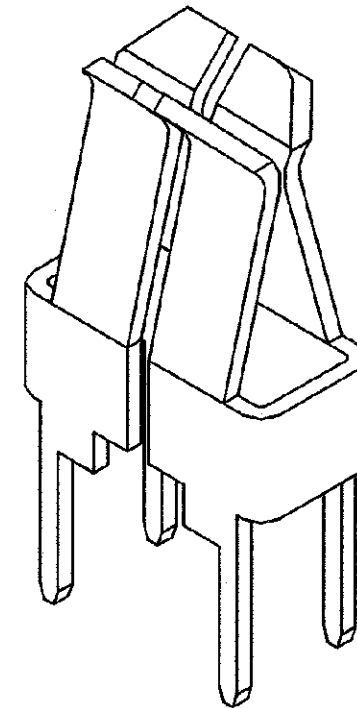
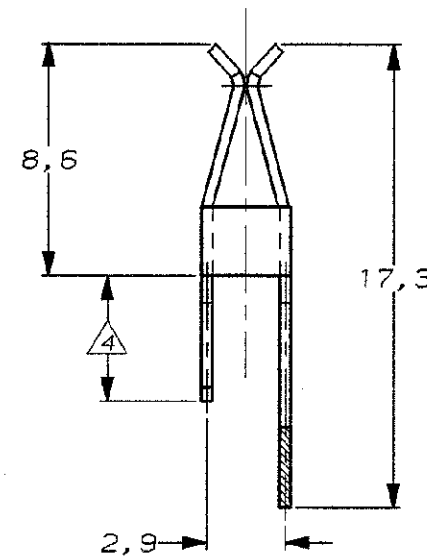
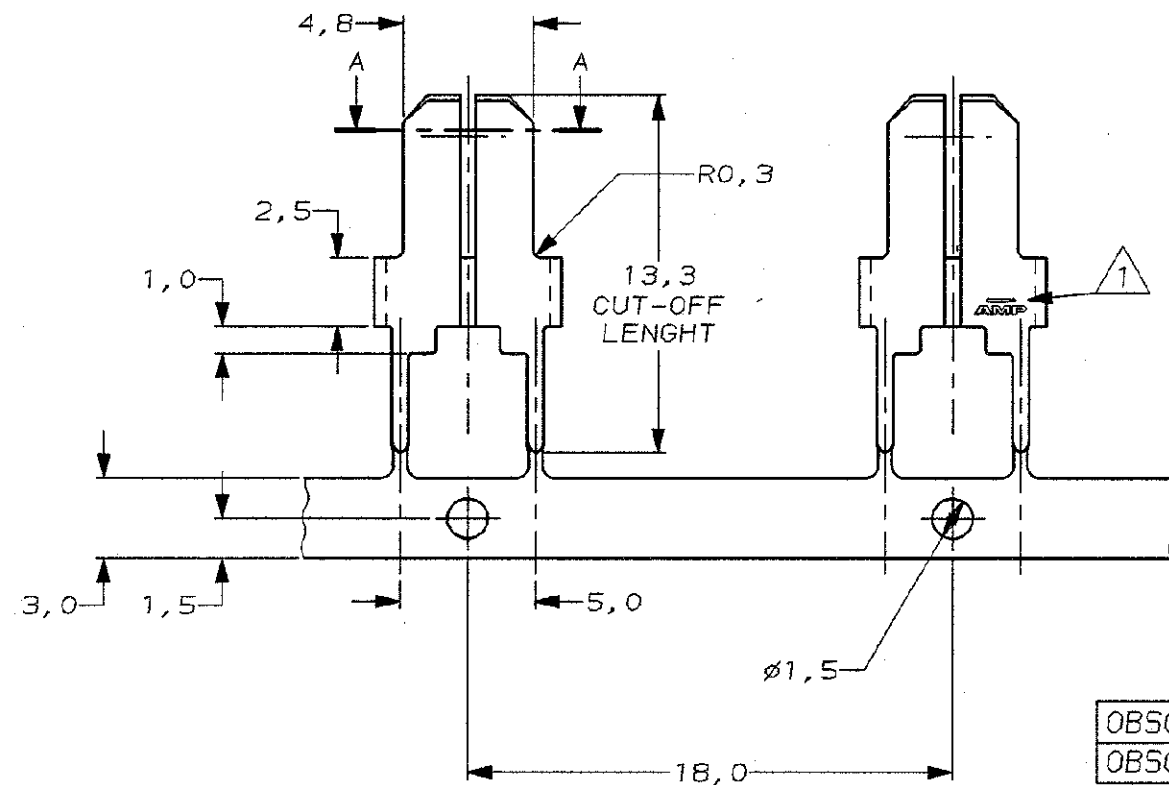
THIRD ANGLE
PROJECTION



SECTION A-A

NOTES:

- 1 AMP TRADEMARK
- 2 PRETINNED 2µm MIN. ALL OVER.
- 3 LOOSE PIECE VERSION
- 4 POSTTINNED 3µm MIN. IN THIS AREA.



OBSOLETE	TINPLATED		PHOSPHORBRONZE	1-188685-3/3	-
OBSOLETE	TINPLATED	4/2	PHOSPHORBRONZE	188685-3	-
	PRETINNED		PHOSPHORBRONZE	1-188685-2/3	-
	PRETINNED	2	PHOSPHORBRONZE	188685-2	-
	FINISH		MATERIAL	PARTNUMBER	ITEM

-	-	-	-	-	-	-	-	-
C	EH-0178-97	JvL	RotB	20-02-97				
B	EH-1388-95	JvL	RotB	14-11-95				
A	EH-0919-95	JvL	RotB	01-08-95				
O	EH-0719-95	JvL	RotB	19-06-95				
LTR.	REVISION RECORD	DR.	CHK.	DATE				
DR.:	J.v.LIEMPT	CHK.:	R.o.t.BERG	APP.:	M.v.DRIEL	DWG. No.	REV. LTR.	SHEET
DATE:	19 JUN 95	DATE:	-	DATE:	-	188685	C	1 OF 1

CUSTOMER DRAWING FOR REFERENCE ONLY
WILL NOT BE UPDATED

© COPYRIGHT 19- BY AMP HOLLAND B.V.
ALL INTERNATIONAL RIGHTS RESERVED. AMP PRODUCTS MAY BE
COVERED BY U.S. AND FOREIGN AND/OR PATENTS PENDING.
THIS DRAWING IS UNPUBLISHED
RELEASED FOR PUBLICATION

AMP AMP HOLLAND B.V.
s-Hertogenbosch,
The Netherlands.

NAME
**STANDARD TIMER CONTACT
FOR P.C.B. APPLICATION**

