

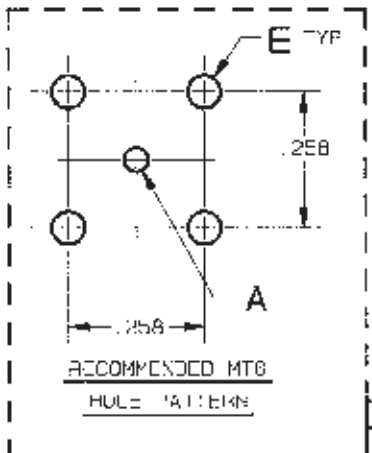
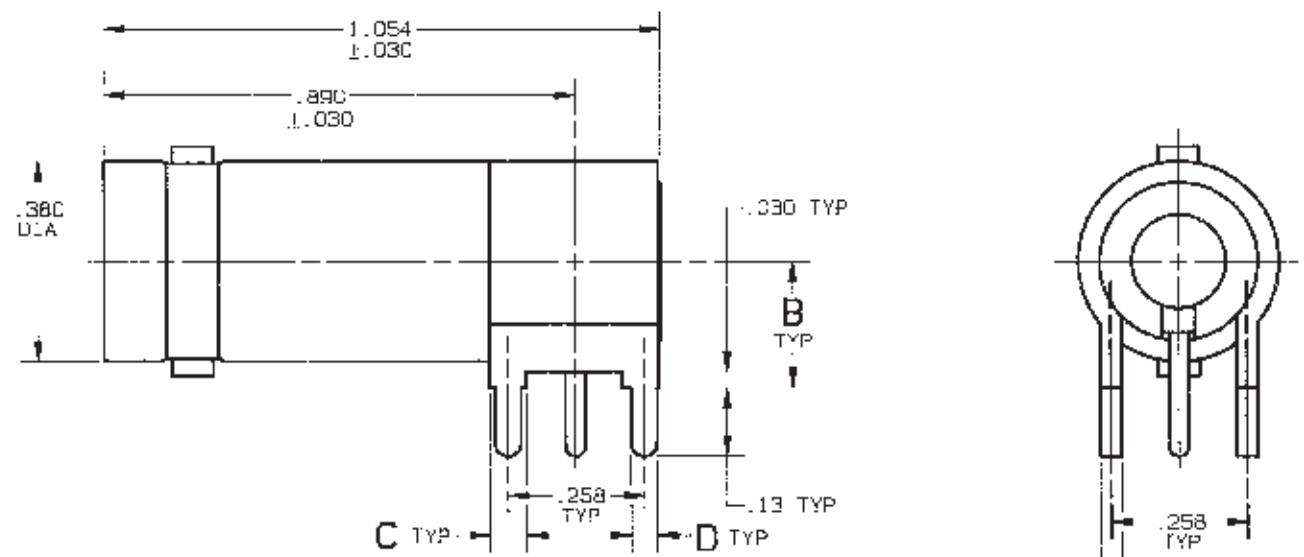
DISK #	UMG SIZE	DATA CONTAINED IN THIS DOCUMENT IS PROPRIETARY TO TROMPETER ELECTRONICS INC. AND SHALL NOT BE DISCLOSED, COPIED OR USED FOR PROCUREMENT OR MANUFACTURE WITHOUT EXPRESS WRITTEN PERMISSION.						
CS	B							

REVISIONS			1-0044		SH 1
REV	PO	DESCRIPTION	DWN	APPROVED	DATE
H	9448	CHANGE "C" DIM FROM .070 TO .090, -1 AND -2; DWG NO WAS 1000-0044; & REDWN	DKC	<i>[Signature]</i>	10-2-91

JASH NO	MODEL NO	LTR CODE	IMP	A DIA	B DIM	C DIM	D DIM	E DIA
1	CBJR20		50	.046	.24		.050	.0635
-2	UCBJR20		75	.02E		.090		
-3	UCBJR20A	A	50	.046	.34		.058	.070
-4	UCBJR20A		75	.02E				

INC	MM
.001	0.02
.005	0.13
.010	0.25
.020	0.51
.030	0.76
.040	1.02
.045	1.17
.050	1.27
.058	1.47
.0625	1.59
.090	2.29
.13	3.30
.24	6.10
.258	6.55
.34	8.64
.380	9.65
.890	22.51
1.054	26.77

-1 SHOWN



4. EXAMPLE OF COMPLETE MODEL NO:  
 U/CBJR20/A  
 LTR CODE (SEE TABLE)  
 BASIC MODEL NO (SEE TABLE)  
 75 OHM DESIGNATION-NONE REQD FOR 50 OHM
3. FINISH: TFS-1A (NICKEL)
2. 50 & 75 OHM RIGHT ANGLE CIRCUIT BOARD MOUNTING BNC RECEPTACLE
1. ALL DIM ARE IN INCHES

QTY	DESCRIPTION	PART NUMBER	ITEM			
TOL UNLESS SPECIFIED .XX ± .01 .XXX ± .005 .XXXX ± .0010 ANGLES ±			U/CBJR20/A			
DWN	DKC		B 13 91	MATERIAL	CONF IDENT	DRAWING NO.
CHK	DKC	7-14-91		14949	1-0044	H
ENGR	DKC					
APPR	<i>[Signature]</i>	10-2-91	SCALE 4/1	DATE 2-1-93	SHEET 1 OF 2	

NEXT ASSY