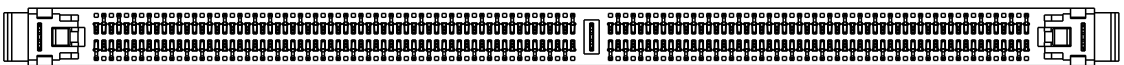
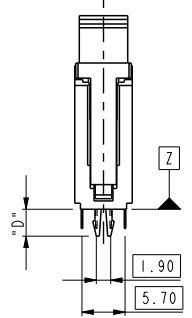
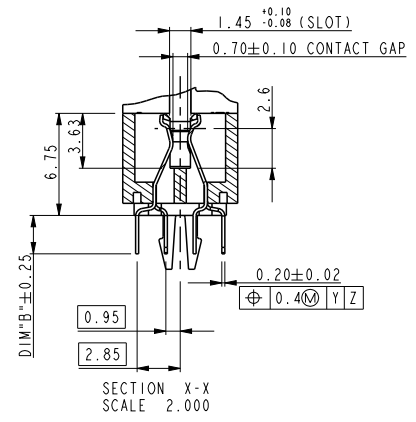
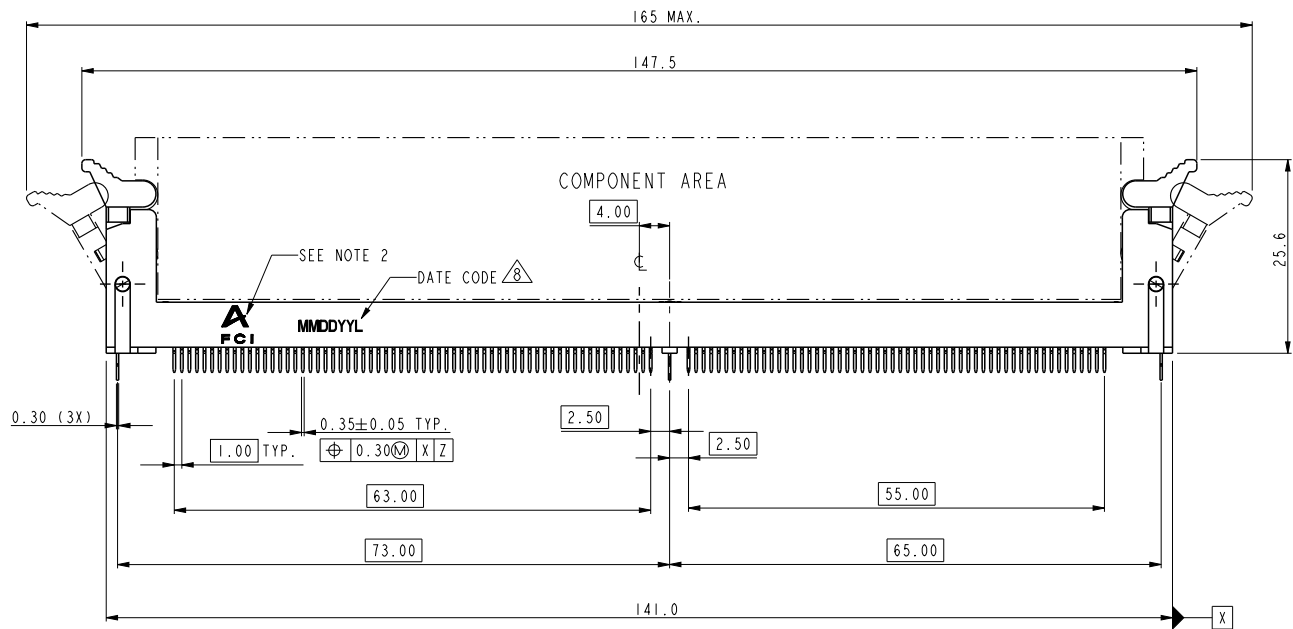
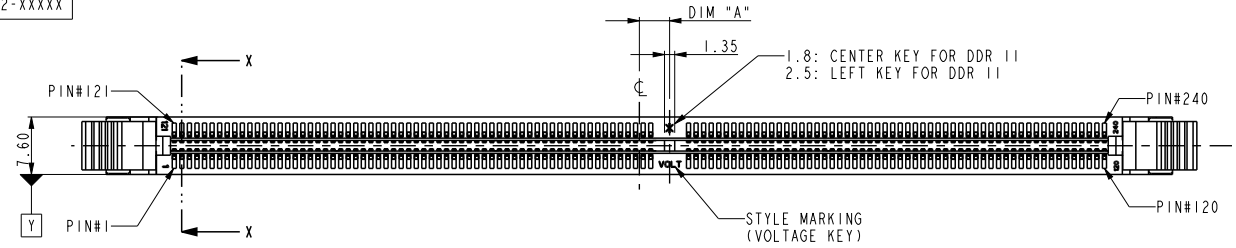


PRODUCT NO.
10093462-XXXX



PART NO.	DIM "A"	DESCRIPTION
10093462-1****	4.00	1.8V
10093462-2****	3.00	2.5V
10093462-3****	5.00	X.XV

spec ref	*	dr	Rick Bian	2010/07/08	projection	mm	size	A4	scale	0.500											
tolerance std	TOLERANCES UNLESS OTHERWISE SPECIFIED	eng	Nickor Zuo	2012/06/27			ecn no	ELX-DG-012034-1													
		chr	-	-				rel level	Released												
surface	<table border="1"> <tr> <td>linear</td> <td>0.X</td> <td>±0.38</td> </tr> <tr> <td></td> <td>0.XX</td> <td>±0.25</td> </tr> <tr> <td></td> <td>0.XXX</td> <td>±0.13</td> </tr> <tr> <td>angular</td> <td>0°</td> <td>±2°</td> </tr> </table>	linear	0.X	±0.38		0.XX	±0.25		0.XXX	±0.13	angular	0°	±2°	appr	Pei-Ming Zheng	2012/06/28	product family				
linear	0.X	±0.38																			
	0.XX	±0.25																			
	0.XXX	±0.13																			
angular	0°	±2°																			
y			title	DDR II 240P V/T METAL CLIP ASS'Y (FOR H3C)			dwg no	10093462		rev	B										
		www.fci.com	cat. no.	*	Product - Customer Drw			sheet 1 of 4													

ProjE File - REV C - 2009-06-09

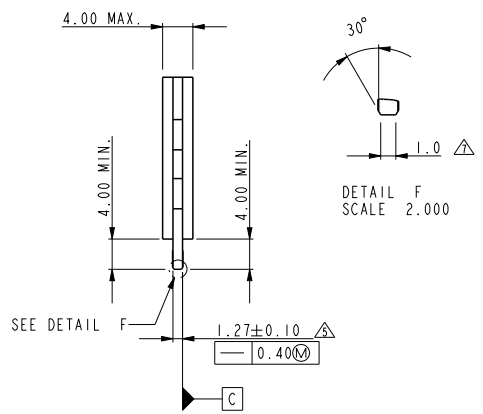
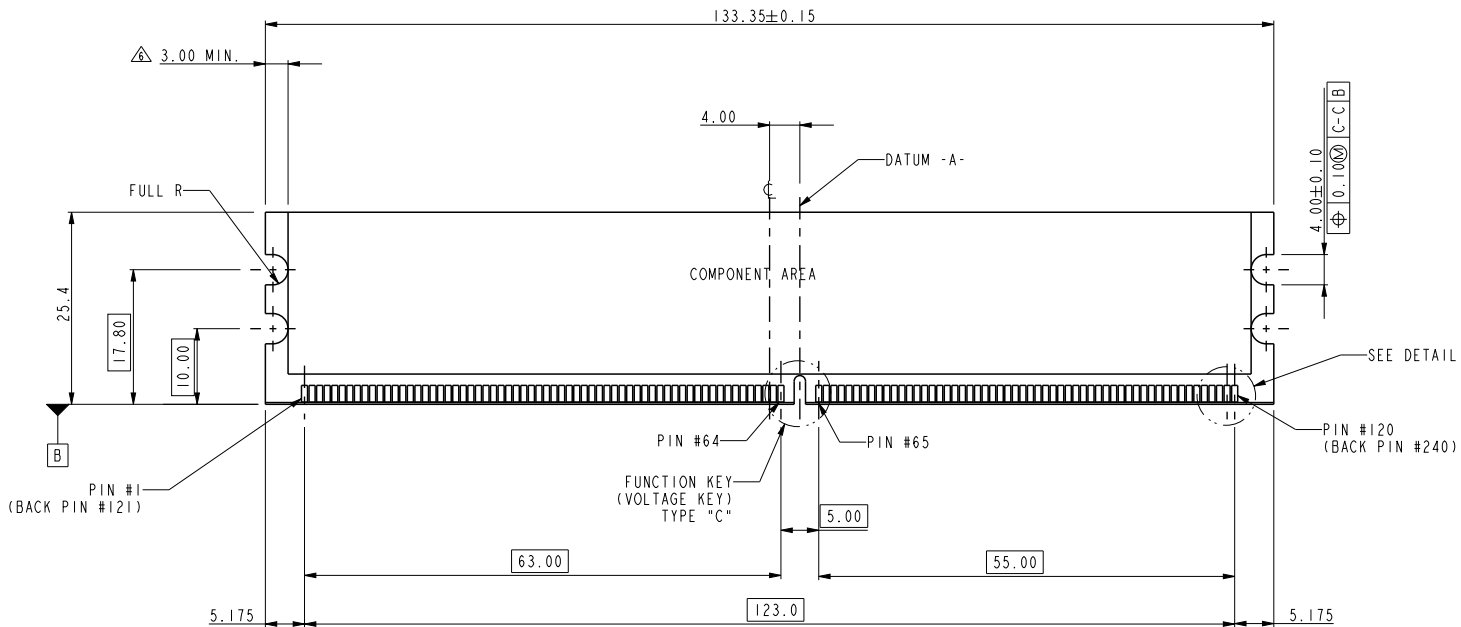


Copyright FCI.

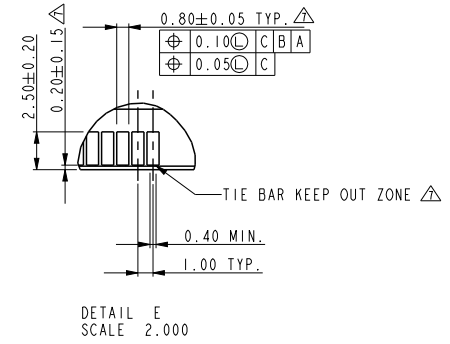
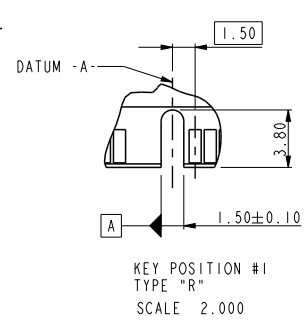
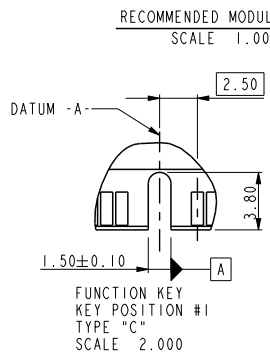
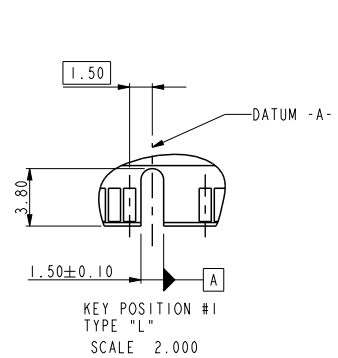
TYPE "R"	X.X VOLTAGE
TYPE "L"	2.5 VOLTAGE
TYPE "C"	1.8 VOLTAGE
SUB KEY POS #1	DESCRIPTION

A

B



C



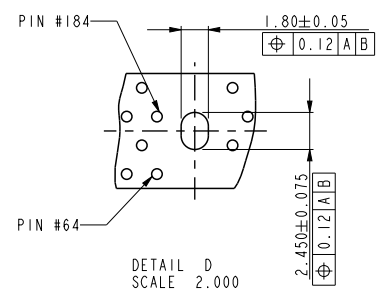
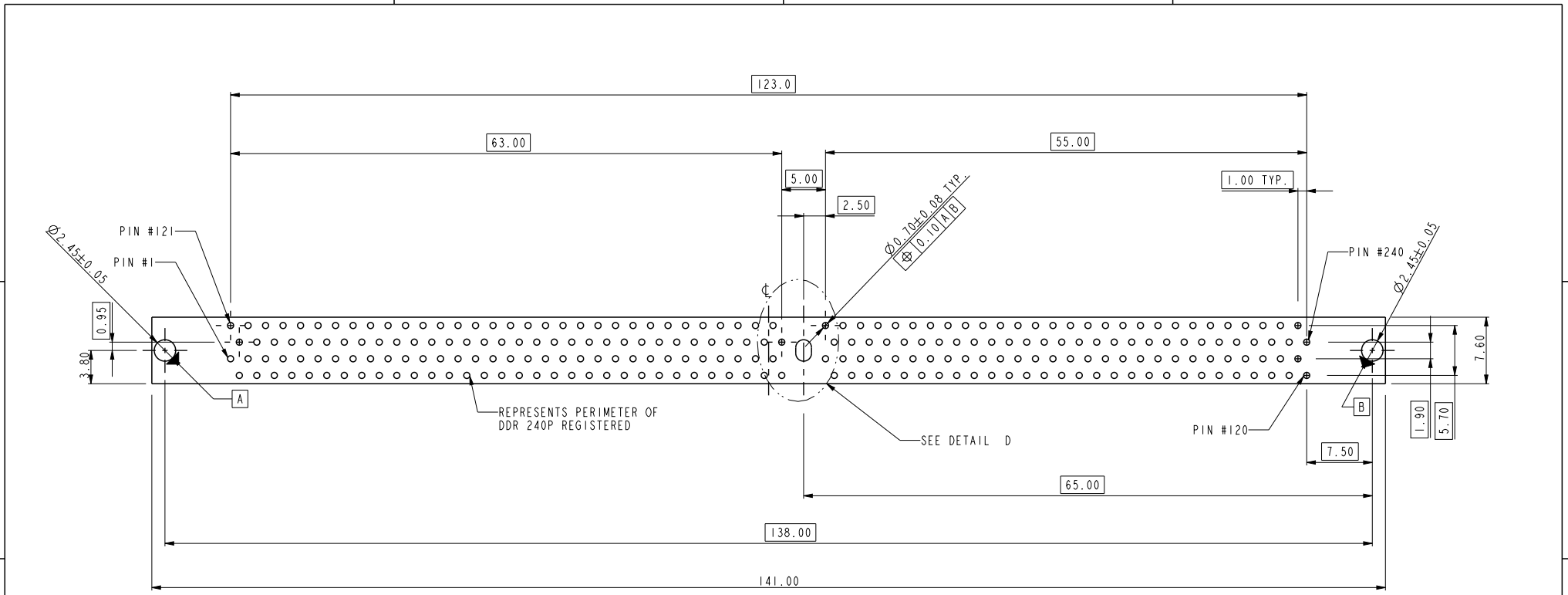
Copyright FCI.

spec ref	*	dr	Rick Bian	2010/07/08	projection	mm	size	A4	scale	0.500											
tolerance std	TOLERANCES UNLESS OTHERWISE SPECIFIED	eng	Nickor Zuo	2012/06/27			ecn no	ELX-DG-012034-1													
surface	<table border="1"> <tr> <td>linear</td> <td>0.X</td> <td>±0.38</td> </tr> <tr> <td></td> <td>0.XX</td> <td>±0.25</td> </tr> <tr> <td></td> <td>0.XXX</td> <td>±0.13</td> </tr> <tr> <td>angular</td> <td>0°</td> <td>±2°</td> </tr> </table>	linear	0.X	±0.38					0.XX	±0.25		0.XXX	±0.13	angular	0°	±2°	chr	-	-	product family	rel level
linear	0.X	±0.38																			
	0.XX	±0.25																			
	0.XXX	±0.13																			
angular	0°	±2°																			
<table border="1"> <tr> <td> </td> <td> </td> <td> </td> <td> title DDR II 240P V/T METAL CLIP ASS'Y (FOR H3C) </td> <td> cat. no. </td> <td> * </td> <td> product family </td> <td> Product - Customer Drw </td> <td> sheet 2 of 4 </td> <td> rev B </td> </tr> </table>				title DDR II 240P V/T METAL CLIP ASS'Y (FOR H3C)	cat. no.	*	product family	Product - Customer Drw	sheet 2 of 4	rev B	<table border="1"> <tr> <td> appr Pei-Ming Zheng </td> <td> 2012/06/28 </td> <td> product family </td> <td> dwg no 10093462 </td> <td> rev B </td> </tr> </table>	appr Pei-Ming Zheng	2012/06/28	product family	dwg no 10093462	rev B					
			title DDR II 240P V/T METAL CLIP ASS'Y (FOR H3C)	cat. no.	*	product family	Product - Customer Drw	sheet 2 of 4	rev B												
appr Pei-Ming Zheng	2012/06/28	product family	dwg no 10093462	rev B																	

PrdE File - REV C - 2009-06-09



Copyright FCI.



RECOMMENDED CIRCUIT BOARD HOLE LAYOUT

spec ref	*	dr	Rick Bian	2010/07/08	projection	mm	size	A4	scale	0.500											
tolerance std	TOLERANCES UNLESS OTHERWISE SPECIFIED	eng	Nickor Zuo	2012/06/27			ecn no		ELX-DG-012034-1												
		chr	-	-			rel level		Released												
surface	<table border="1"> <tr> <td>linear</td> <td>0.X</td> <td>± 0.38</td> </tr> <tr> <td></td> <td>0.XX</td> <td>± 0.25</td> </tr> <tr> <td></td> <td>0.XXX</td> <td>± 0.13</td> </tr> <tr> <td>angular</td> <td>0°</td> <td>$\pm 2^\circ$</td> </tr> </table>	linear	0.X	± 0.38		0.XX	± 0.25		0.XXX	± 0.13	angular	0°	$\pm 2^\circ$	appr	Pei-Ming Zheng	2012/06/28	product family		rev		B
linear	0.X	± 0.38																			
	0.XX	± 0.25																			
	0.XXX	± 0.13																			
angular	0°	$\pm 2^\circ$																			
y				title DDR II 240P V/T METAL CLIP ASS'Y (FOR H3C)		dwg no 10093462		sheet 3 of 4													
		www.fci.com		cat. no. *		Product - Customer Drw		PDS: Rev :B STATUS:Released Printed: Jun 28, 2012													

Prod File - REV C - 2009-06-09

10093462 - □ □ □ □

PLATING

CODE	CONTACT	SOLDERTAIL	UNDERPLATE
1	10u" (0.25um) MIN. GOLD	100u" (2.54um) MIN. TIN/LEAD	50u" (1.27um) MIN. NICKEL OVERALL
2	15u" (0.38um) MIN. GOLD		
3	30u" (0.76um) MIN. GOLD		
4	3u" (0.076um) MIN. GOLD		
6LF	10u" (0.25um) MIN. GOLD	100u" (2.54um) MIN. 100% TIN	50u" (1.27um) MIN. NICKEL OVERALL
7LF	15u" (0.38um) MIN. GOLD		
8LF	30u" (0.76um) MIN. GOLD		
9LF	3u" (0.076um) MIN. GOLD		

STYLE : MECHANICAL KEYING

- 1 : 1.8 VOLT. W/ CENTER KEY#1
- 2 : 2.5 VOLT. W/ LEFT KEY#1
- 3 : X.X VOLT. W/ RIGHT KEY#1

METAL CLIP

- 1 : WITH METAL CLIP + DIM "D"=3.05
- 2 : WITH METAL CLIP + DIM "D"=3.56
- 3 : WITH METAL CLIP + DIM "D"=3.43

TAIL LENGTH

CODE	DIM "B"
0	2.54
1	2.67
2	3.18
3	4.00

COLOR OF HOUSING AND EJECTOR

- 0 : BLACK HOUSING + IVORY EJECTOR
- 1 : BLUE HOUSING + IVORY EJECTOR
- 2 : BLACK HOUSING + BLACK EJECTOR
- 3 : PURPLE HOUSING + IVORY EJECTOR
- 4 : ORANGE HOUSING + IVORY EJECTOR
- 5 : GREEN HOUSING + IVORY EJECTOR
- 6 : RED HOUSING + IVORY EJECTOR
- 7 : IVORY HOUSING + IVORY EJECTOR
- 8 : YELLOW HOUSING + IVORY EJECTOR
- 9 : IVORY HOUSING + BLACK EJECTOR

NOTES:

- MATERIAL:
HOUSING: HIGH PERFORMANCE RESINS, GLASS FILLED UL94V-0 RATED.
EJECTOR: HIGH PERFORMANCE RESINS, GLASS FILLED UL94V-0 RATED.
TERMINAL: PHOSPHOR BRONZE.
METAL CLIP: COPPER ALLOY.
- FCI LOGO TO BE APPROXIMATELY LOCATED AS SHOWN ON PRINT.
- PRODUCT SPECIFICATION: GS-12-251.
- PACKAGING SPECIFICATION: GS-14-899.
- CARD THICKNESS APPLIES ACROSS TABS AND INCLUDES PLATING AND/OR METALIZATION.
- 3.00 mm MINIMUM APPLIES TO BOTH 4.00 mm WIDE NOTCH LENGTH AND COMPONENT KEEPOUT AREA.
- LEADING EDGE OF CONTACT PADS SPECIFIED BY THE KEEP OUT ZONE SHALL BE FREE OF BURRS AND EXTERNAL TIE BARS. FOR OPTIMUM PERFORMANCE, THE TIE BAR IS TO BE ON AN INTERNAL LAYER SO THAT THE REMNANT CANNOT CAUSE CONTACT DAMAGE.
- DATE CODE: MMDDYY IS ASSEMBLY DATE, L IS PRODUCTION LINE("D" DENOTES FCI DONGGUAN).
- THIS PRODUCT MEETS EUROPEAN UNION DIRECTIVES AND OTHER COUNTRY REGULATIONS AS DESCRIBED IN GS-22-008.
- THE HOUSING WILL WITH STAND EXPOSURE TO 260°C PEAK TEMPERATURE FOR 10 SECONDS IN A WAVE SOLDER APPLICATION.



Copyright FCI.

spec ref	*	dr	Rick Bian	2010/07/08	projection 	mm 	size	A4	scale	0.500
tolerance std	TOLERANCES UNLESS OTHERWISE SPECIFIED	eng	Nickor Zuo	2012/06/27			ecn no	ELX-DG-012034-1		
		chr	-	-				rel level	Released	
surface	✓	appr	Pei-Ming Zheng	2012/06/28	product family					
y	linear	0.X	±0.38	FCI	title	DDR II 240P V/T METAL CLIP ASS'Y (FOR H3C)	dwg no	10093462	rev	B
		0.XX	±0.25							
		0.XXX	±0.13							
	angular	0°	±2°	www.fci.com	cat. no.	*	Product - Customer Drw	sheet 4 of 4		