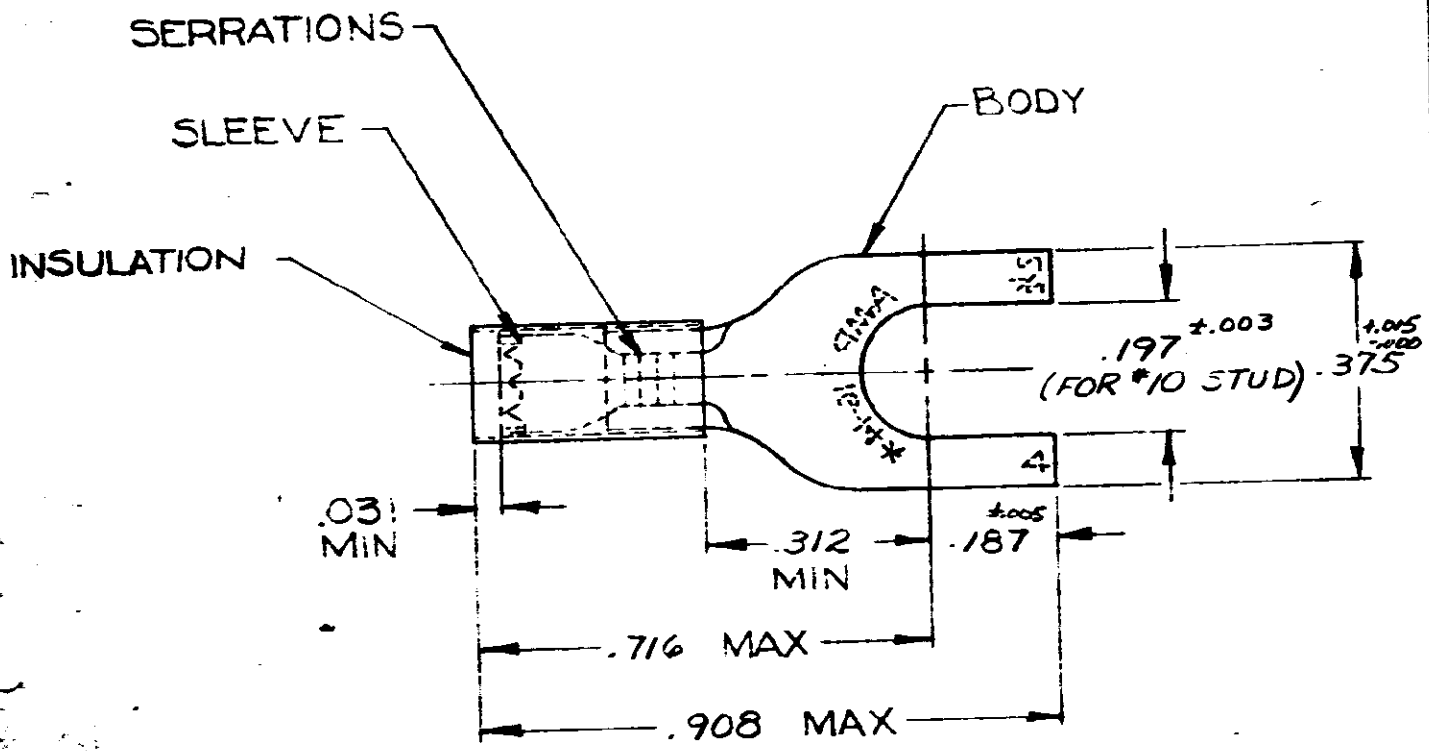


MADE IN AMERICAN PROJECTION

LOC 5 14 0
PRINT DIST

© 1965 BY AMP INCORPORATED. ALL RIGHTS RESERVED. AMP PRODUCTS COVERED BY PATENTS AND/OR PATENTS PENDING.

REVISIONS			
LTR	DESCRIPTION	DATE	APPROVED
A	REDRAWN, REVISED (ADDED TAPE NO. P-6079)	3-16-70	RCY
B	INACTIVATED 2--1 PER ECU P-9260	PMF 11/9/62	PMF
C	OBS. 2--1 G2591	RT 10-19-87	PMF
D	REV PER G-4732	JT 7/2/88	JT



TONGUE MATERIAL THK = .031 ±.002
FOR .105 TO .150 WIRE INSULATION DIA

32057	32057	OBSOLETE	BODY: COPPER (QQ-C-576) TIN PL (MIL-T-10727)
ON TAPE			SLEEVE: COPPER (QQ-C-576) INSULATION: NYLON COLOR: BLUE
1	WIRE TERMINAL	32057	MATERIAL & FINISH
QTY	DESCRIPTION	PART NO	
UNLESS OTHERWISE SPECIFIED DIMENSIONS ARE IN INCHES TOLERANCES ON: DECIMALS ±.008 ANGLES ± 5°			<p>AMP INCORPORATED HARRISBURG, PENNSYLVANIA</p>
MATERIAL			
SEE TABLE			<p>NAME: WIRE TERMINAL P.I.D.G. - SPADE WIRE SIZE: 16-14</p>
CONTRACT NO. #			SIZE: A
DR. <i>Am Enamering</i> 3-12-70			CODE IDENT NO.: 00779
CHK. <i>Ward</i> 3-16-70			NUMBER: 32057
APPD. <i>Ward</i> 3-16-70			
REL. <i>Ward</i> 3-17-70			
DSGN APPD. <i>Ward</i>			SCALE: NTS
OTHER APPD.			