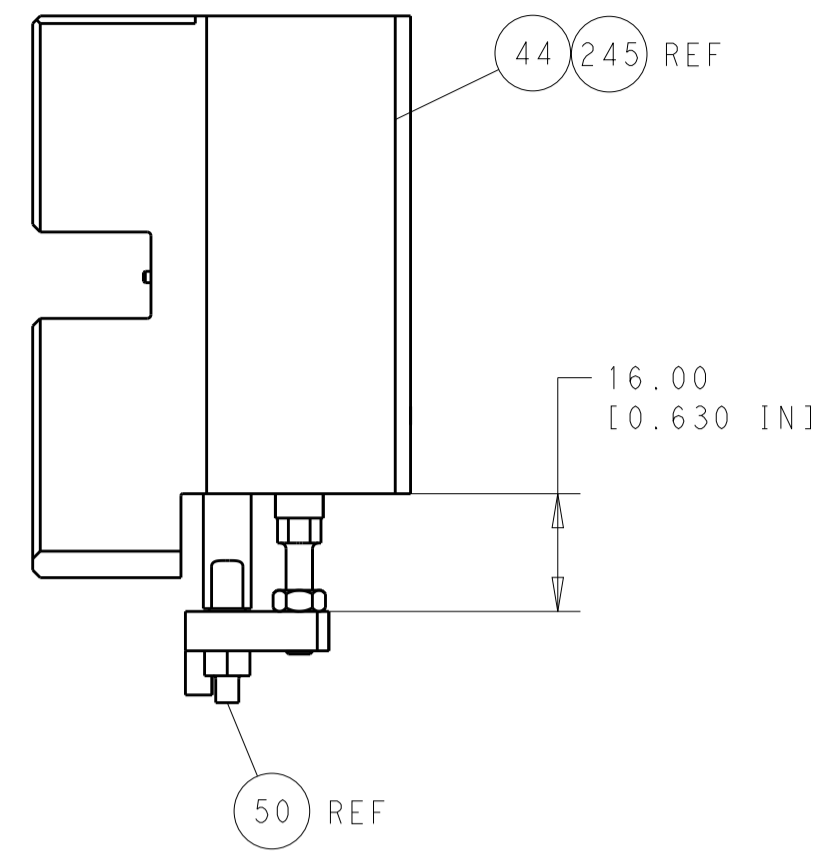
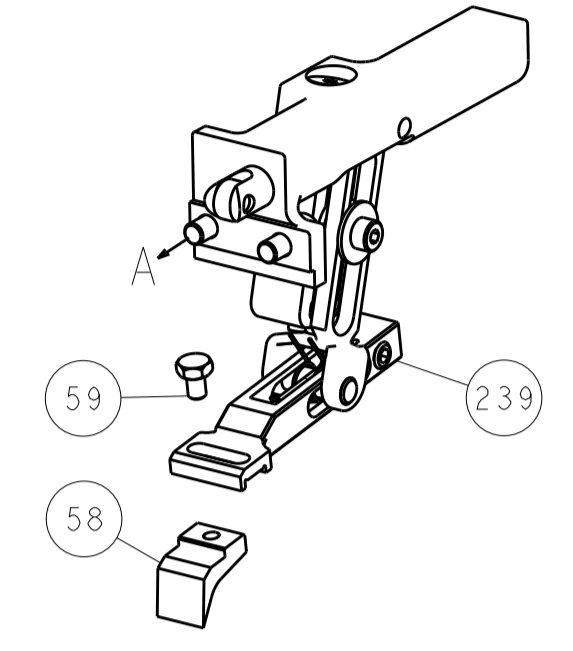


LOC	DIST	REV	DATE	BY	CHK	APPV
A	66					
REVISIONS			DESCRIPTION	DATE	BY	APPV
-			SEE SHEET 1	-	-	-

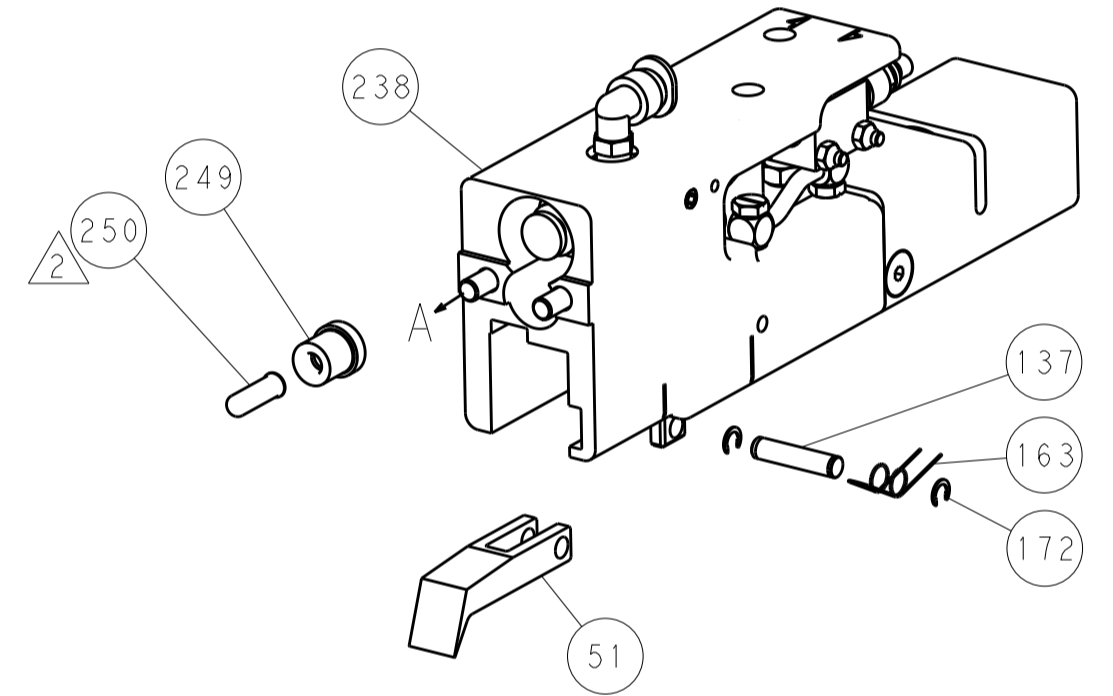


HOLDDOWN SET-UP

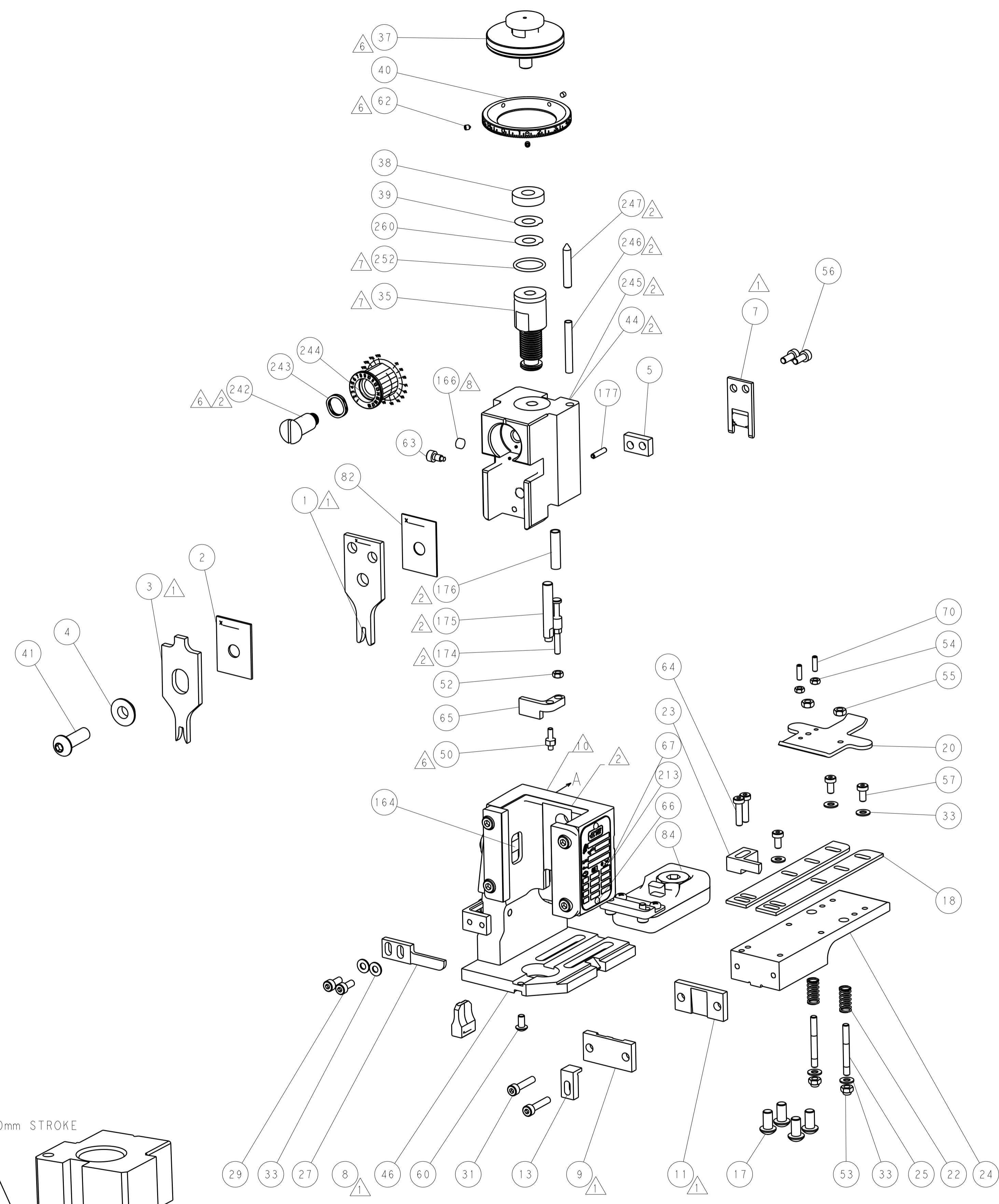
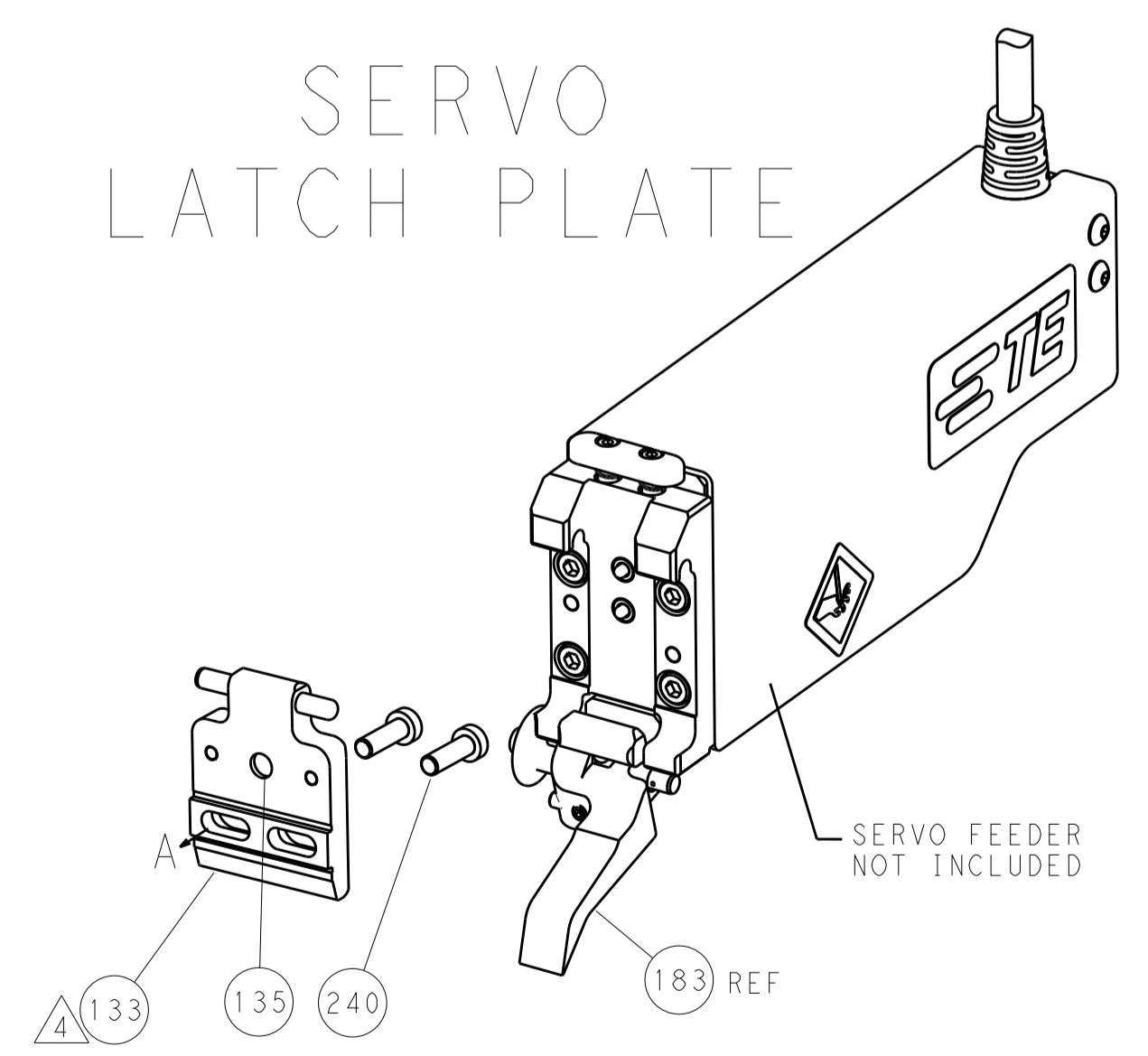
FEED TYPE
MECHANICAL



PNEUMATIC



SERVO
LATCH PLATE



CAM POSITIONS

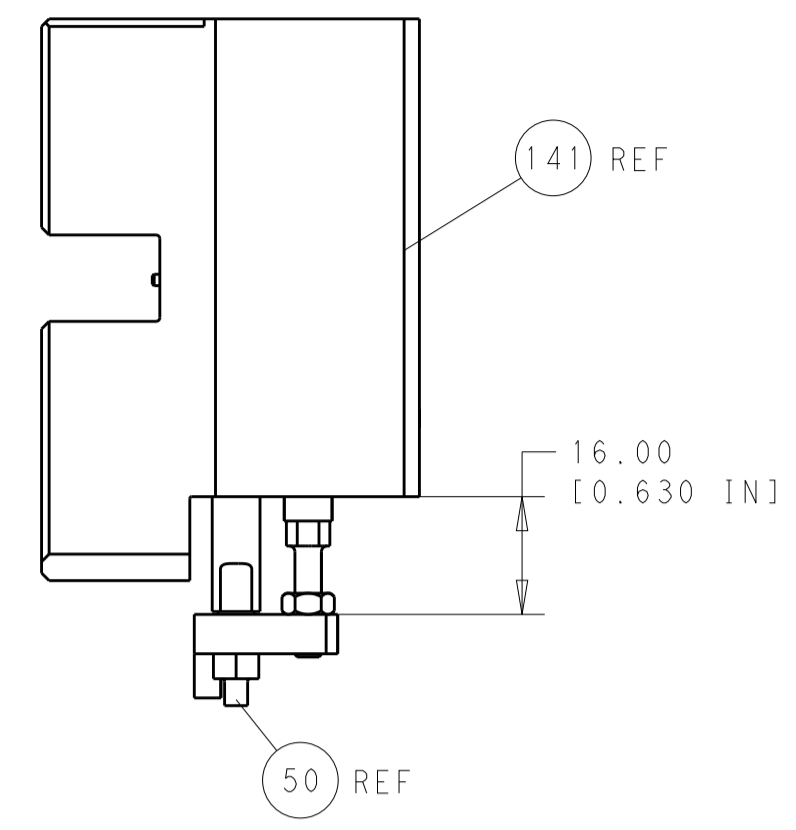


ATLANTIC VERSION
 Shown on sheets 1 of 4 & 2 of 4
 (Pacific version shown on sheets 3 of 4 & 4 of 4)

DIMENSIONS:		TOLERANCES UNLESS OTHERWISE SPECIFIED:		DWG		REV		DATE		NAME	
mm		0 PLC ±0.5		TY YIN		14FEB2014				STE TE Connectivity	
Ø		1 PLC ±0.13		CHK		14FEB2014				Harrisburg, PA 17105-3608	
H		2 PLC ±0.013		G. BAILEY		14FEB2014				PRODUCT SPEC	
A		3 PLC ±0.001		APPV		14FEB2014				APPLICATION SPEC	
R		4 PLC ±0.001		H. GUO		14FEB2014				SIZE	
FINISH		ANGLES ±0.001								CAGE CODE	
										DRAWING NO	
										RESTRICTED TO	
										A11 00779 ©=2150410	
										Customer Accessible Production Drawing	
										SCALE	
										1:1 SHEET 2 OF 4 REV A	

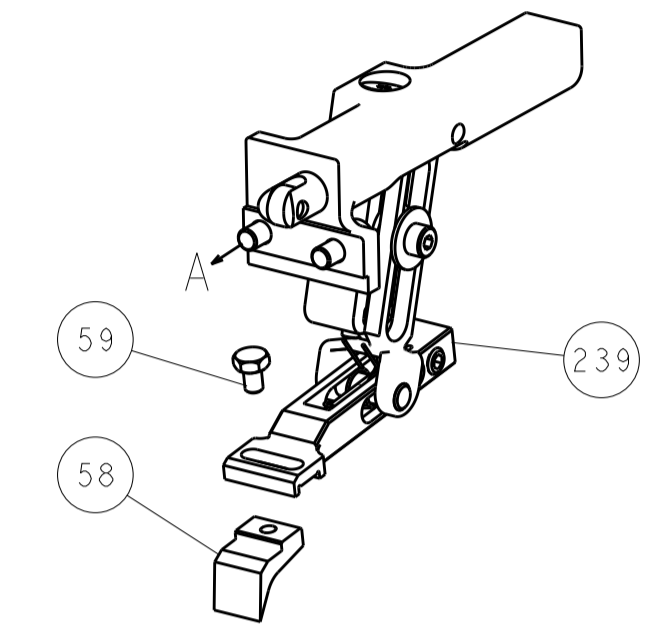
THIS DRAWING IS UNPUBLISHED. RELEASED FOR PUBLICATION
 BY TYCO ELECTRONICS CORPORATION. ALL RIGHTS RESERVED.

REV. NO.		REVISIONS				
LOC	DIST	DATE	DESCRIPTION	DATE	OWN	APVD
A	66	-	SEE SHEET 1	-	-	-

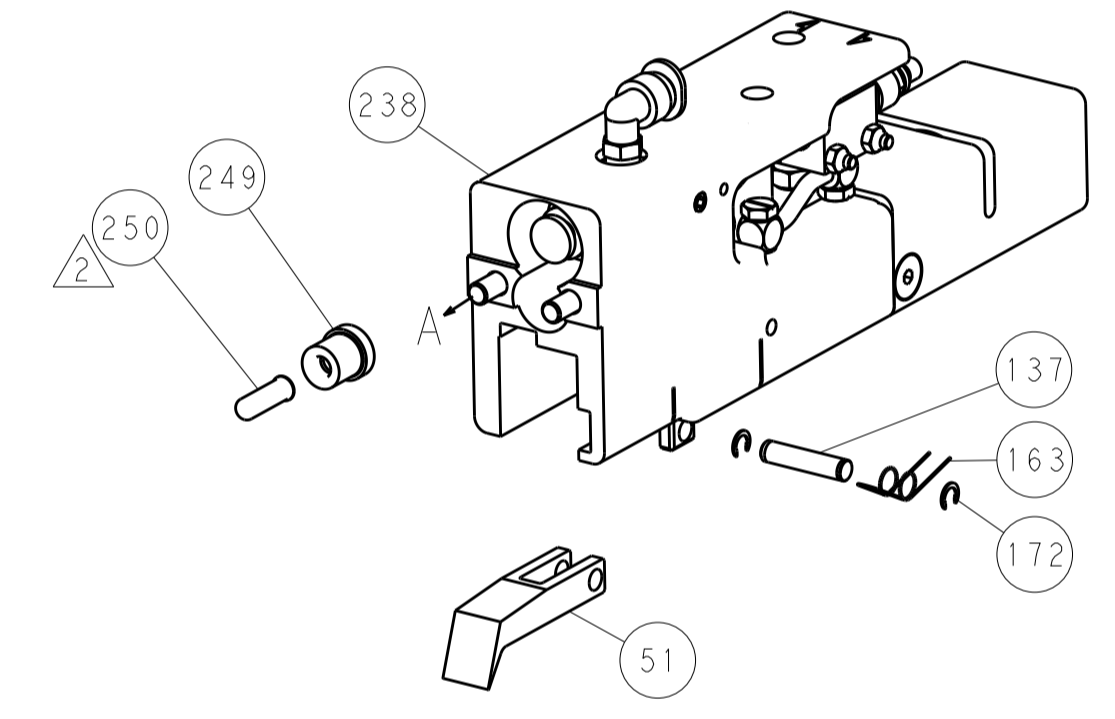


HOLDDOWN SET-UP

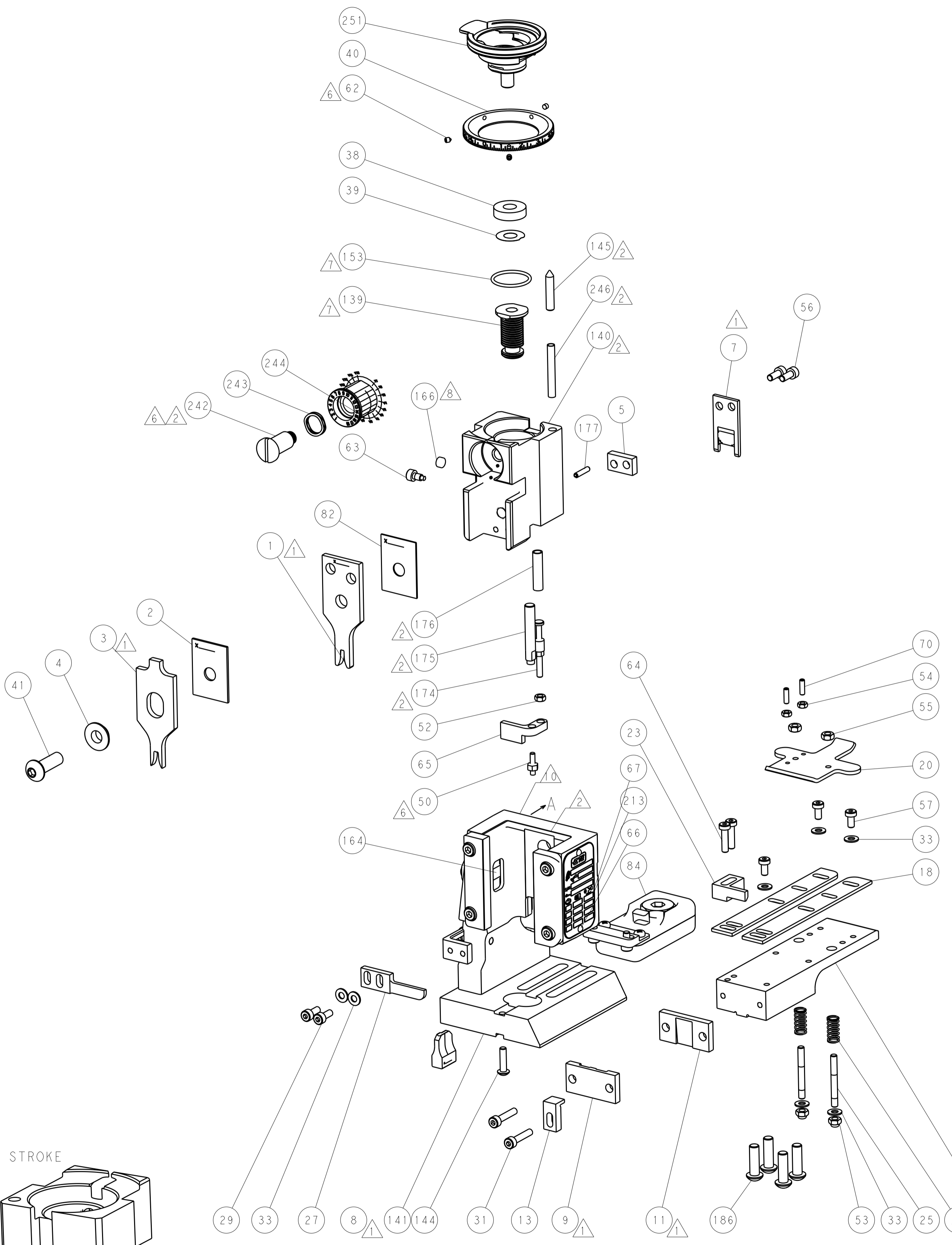
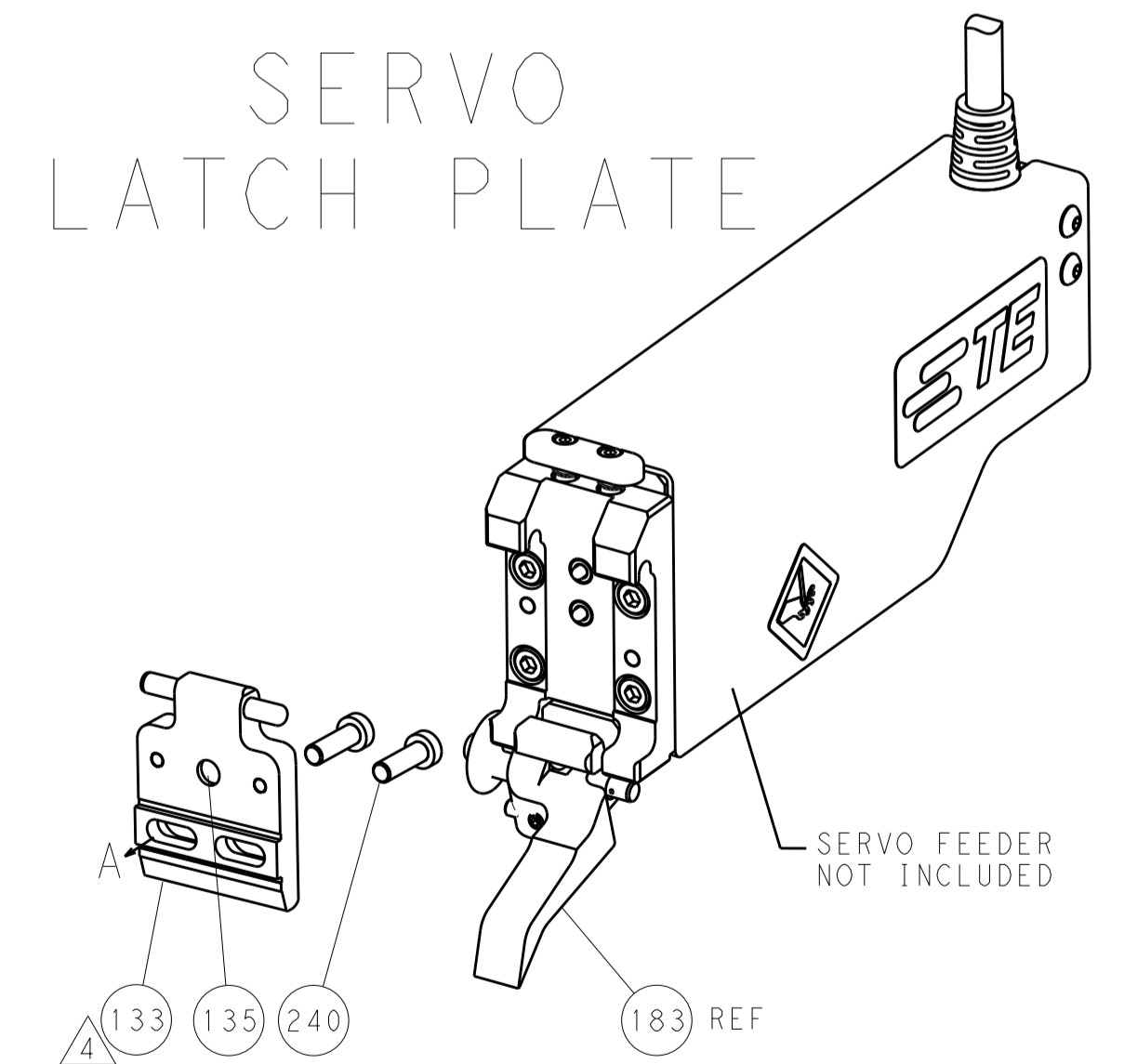
FEED TYPE
MECHANICAL



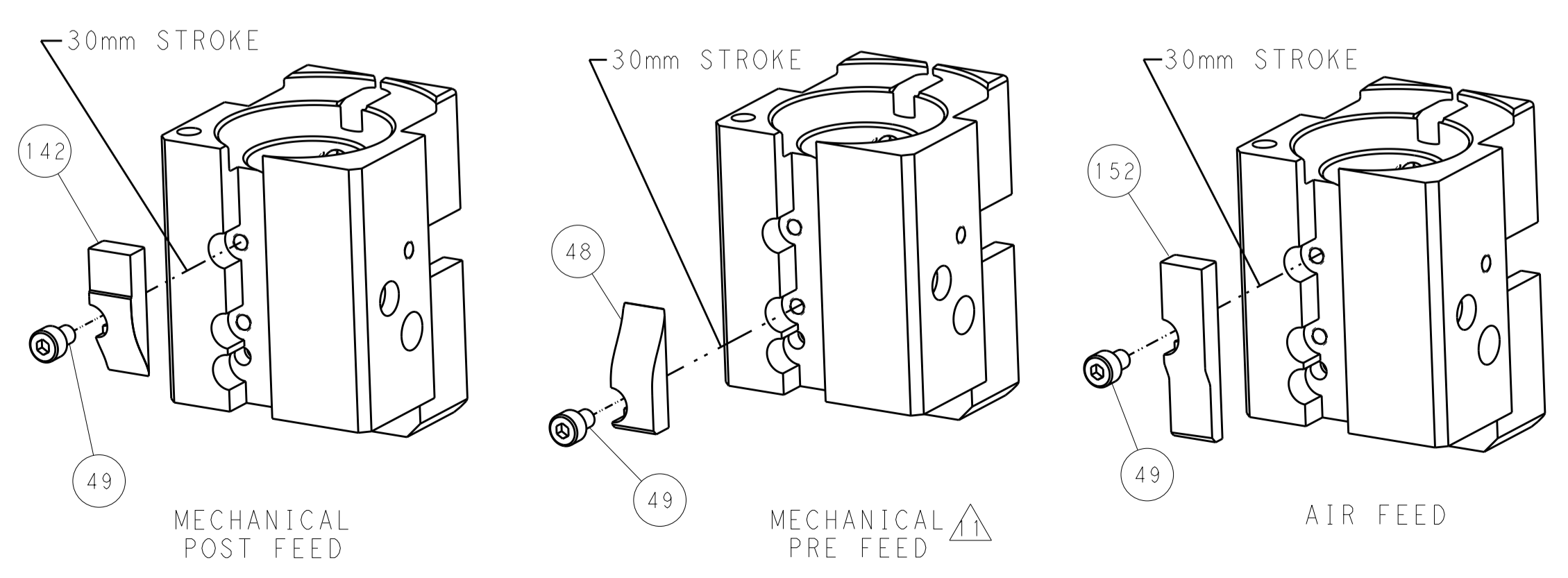
PNEUMATIC



SERVO LATCH PLATE



CAM POSITIONS



PACIFIC VERSION
 Shown on sheets 3 of 4 & 4 of 4
 (Atlantic version shown on sheets 1 of 4 & 2 of 4)

<small>THIS DRAWING IS UNPUBLISHED. RELEASED FOR PUBLICATION BY TYCO ELECTRONICS CORPORATION. ALL RIGHTS RESERVED.</small>		DWN Y. YIN 14FEB2014 CHK G. BAILEY 14FEB2014 APVD H. GUO 14FEB2014	NAME Ocean End Feed Applicator	SIZE A1	CAGE CODE 00779	DRAWING NO 2150410	RESTRICTED TO A
DIMENSIONS: mm		TOLERANCES UNLESS OTHERWISE SPECIFIED: 0 PLC ±.5 1 PLC ±0.5 2 PLC ±0.13 3 PLC ±0.013 4 PLC ±0.0013 ANGLES ±.1		PRODUCT SPEC APPLICATION SPEC		WEIGHT SCALE 1:1 SHEET 4 OF 4 REV A	
MATERIAL FINISH		CUSTOMER ACCESSIBLE PRODUCTION DRAWING		SCALE 1:1 SHEET 4 OF 4 REV A		SHEETS 1 & 2 ARE NOT REQUIRED FOR PACIFIC VERSION	