

Fig. 1

1. INTRODUCTION

AMP Extraction Tool 91136-1 is designed for removing pin and/or socket contacts from AMP Audio Microphone Connectors. Read this material thoroughly before extracting any contacts.

NOTE

All dimensions presented on this instruction sheet are in inches, unless otherwise stated.

2. DESCRIPTION

This tool consists of a plastic handle and two lance release tips for depressing the contact locking lances (see Figure 1).

3. CONTACT EXTRACTION

Refer to Figure 1 and proceed as follows:

1. Determine which contact is to be removed.
2. Look straight into FRONT (Mating Face) of housing. Notice location of slots in contact cavity for lance release tips.
3. Insert lance release tips straight into slots until tool bottoms on housing. The contact locking lances are now released.
4. Keeping tool bottomed on housing, grasp wire of contact to be removed and pull contact straight out BACK of housing.
5. Remove tool from contact cavity.

4. TOOL CERTIFICATION

AMP Extraction Tool 91136-1 should be certified with the information provided in Figure 2. Each tool should be inspected immediately upon arrival at your facility to be sure it has not been damaged in transit, and at regularly scheduled intervals to be sure it remains functional.

Additional tools can be purchased from:

AMP Incorporated
Eisenhower Boulevard
Harrisburg, Pennsylvania 17105

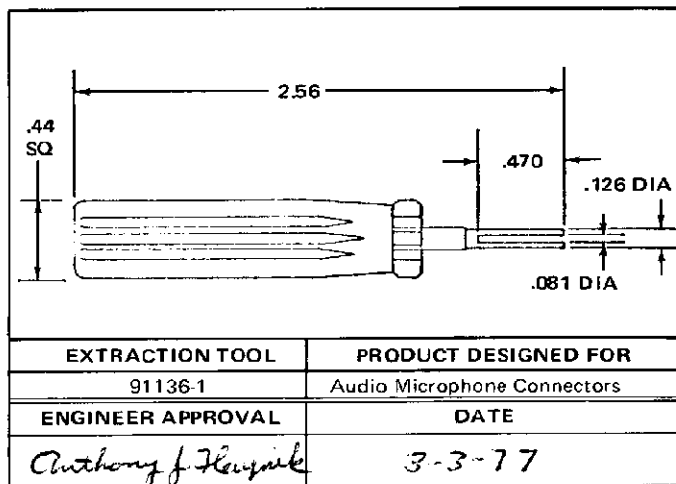


Fig. 2