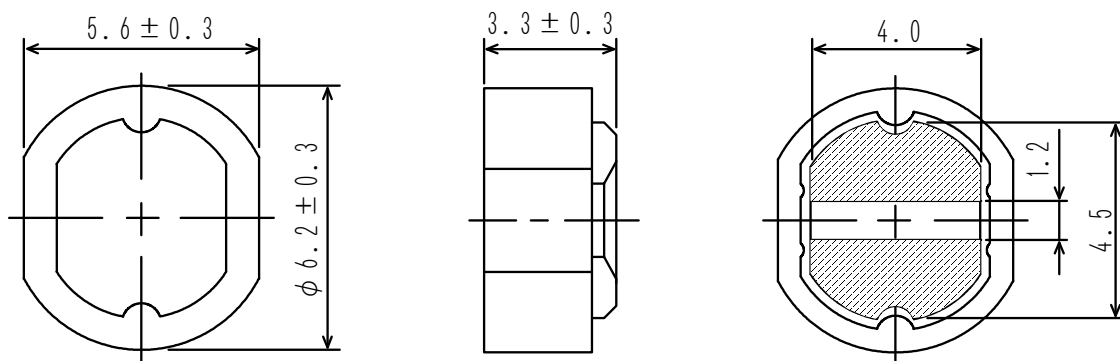
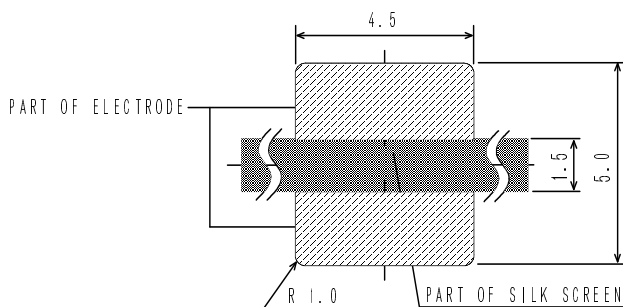


Type: CDR63
◆ Product Description

- 6.5 × 5.9mm Max.(L × W). 3.6mm Max. Height.
- Inductance range: 10 ~ 100 μ H.
- Rated current range: 0.3 ~ 0.8A.
- In addition to the standards versions shown here, custom inductors are also available to meet your exact requirements.


◆ Feature

- Magnetically shielded construction.
- Storage temperature range: -25°C ~ +85°C.
- Operating temperature range: -25°C ~ +85°C (Including coil's self temperature rise).
- Ideally used in Notebook PC ,LCD TV ,Game machine ,HDD,DSC/DVC, etc as DC-DC converter inductors.
- RoHS compliance.

◆ Dimensions (mm)

◆ Land Pattern (mm)


Type: CDR63
◆ Specification

Part name ※	Stamp	Inductance (μ H) ※1	D.C.R.(Ω) MAX. (at 20°C)	Rated Current (A) ※2	S.R.F. (MHz) [Typ.]
CDR63NP-100M□	A	10 \pm 20%	0.13	0.80	37.7
CDR63NP-120M□	B	12 \pm 20%	0.14	0.74	31.7
CDR63NP-150M□	C	15 \pm 20%	0.15	0.70	28.9
CDR63NP-180M□	D	18 \pm 20%	0.18	0.64	26.7
CDR63NP-220M□	E	22 \pm 20%	0.25	0.62	23.7
CDR63NP-270M□	F	27 \pm 20%	0.34	0.57	18.9
CDR63NP-330L□	G	33 \pm 15%	0.37	0.52	17.0
CDR63NP-390L□	H	39 \pm 15%	0.39	0.45	16.6
CDR63NP-470L□	J	47 \pm 15%	0.43	0.40	16.2
CDR63NP-560L□	K	56 \pm 15%	0.50	0.37	13.8
CDR63NP-680L□	L	68 \pm 15%	0.53	0.35	13.1
CDR63NP-820L□	M	82 \pm 15%	0.75	0.32	11.8
CDR63NP-101K□	N	100 \pm 10%	0.85	0.30	11.1

※ Description of part name

CDR63NP-100M□
└─ B Box
└─ C Carrier Tape

※1. Measuring frequency: 10 μ H ~ 82 μ H (at 2.52 MHz) ;
 100 μ H (at 1 kHz).

※2. Rated current: The D.C. current at which the inductance decreases to 80% of it's nominal value or when $\Delta t=40^{\circ}\text{C}$, whichever is lower($T_a=20^{\circ}\text{C}$).