

TIN LEAD PART NUMBER

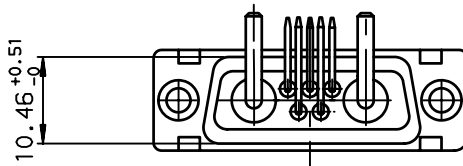
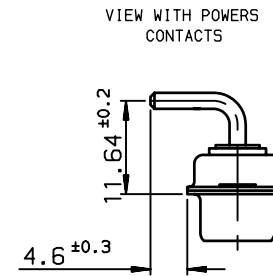
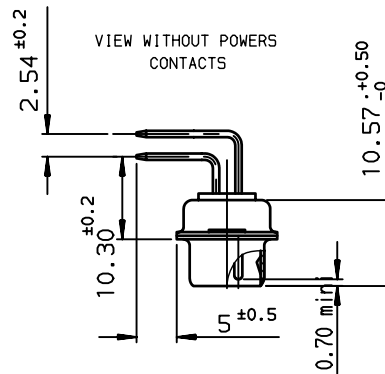
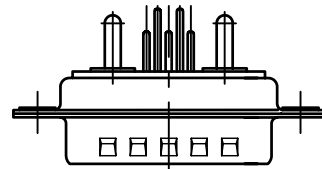
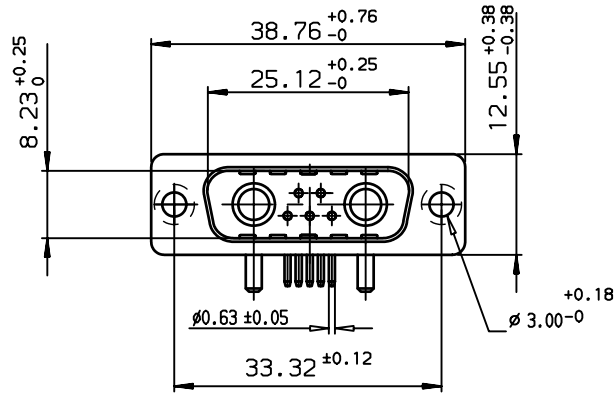
DA7W2P500A30

PART NUMBER

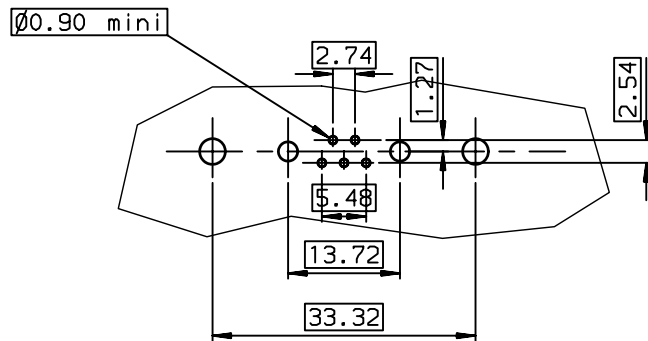
LEAD FREE PART NUMBER

DA7W2P500A30LF

PART NUMBER



LAYOUT DIMENSIONS (after plating)  
CONNECTOR SIDE VIEW



GENERAL CHARACTERISTICS AND ROHS INFORMATIONS:  
SEE DRAWING C01-8639-0000

European Views

www.fciconnect.com		surface ISO 1302 ✓	tolerance std ISO 406 ISO 1101	projection mm	size A3	Scale 1.5
TOLERANCES UNLESS OTHERWISE SPECIFIED				ANGULAR	0.X ±0.1	ECN L506-0095
				LINEAR	0.XX ±0.1	Spec ref -
				0.XX' ±2'	0.XXX ±0.1	
Product family		D-SUB		-		
title PIN CONNECTOR RIGHT ANGLED WITH POWERS CONTACTS .		dwg no C01-8639-1759		Rev. D		
catalog no		-		CUSTOMER sheet 1 of 1		

rev	ecn no	dr	date
B	-	DEB	2003/09/29
C	L505-001	MPE	2005/03/09
D	L506-0095	LGO	2006/06/27
-	-	-	-
-	-	-	-
-	-	-	-