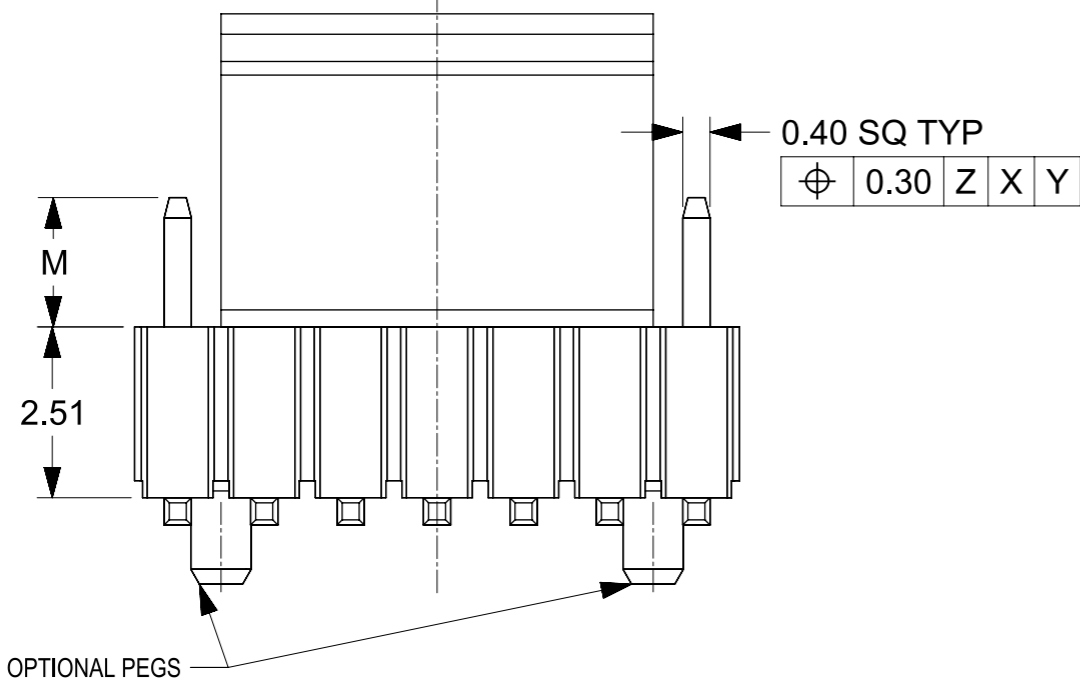
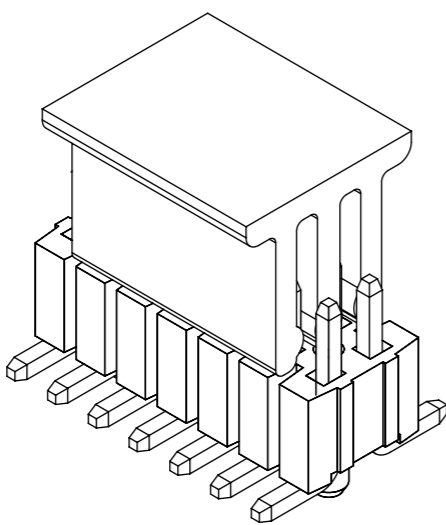


0.30	Z	X	Y
------	---	---	---

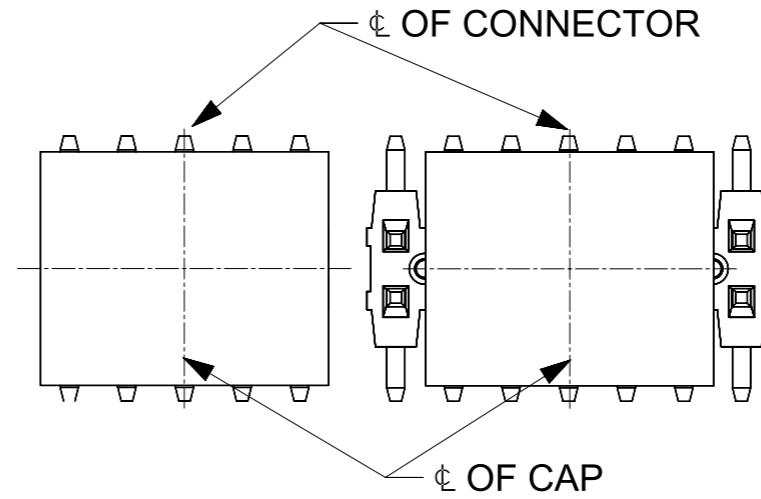


0.40	SQ	TYP	
0.30	Z	X	Y

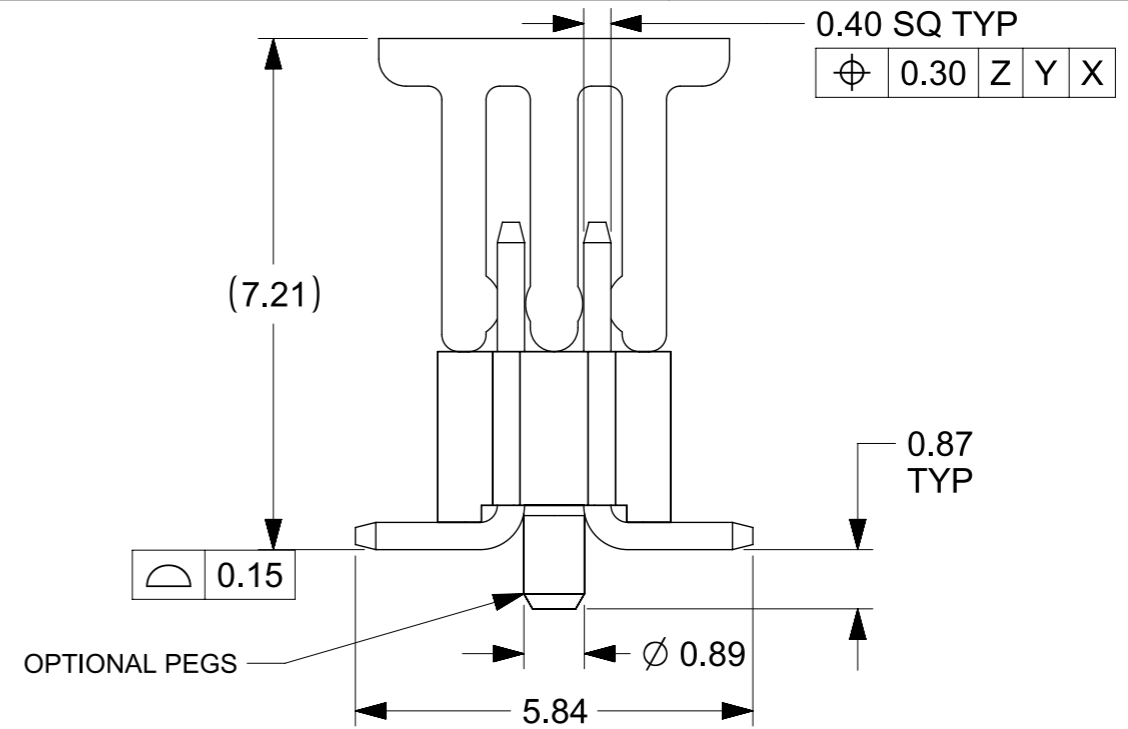
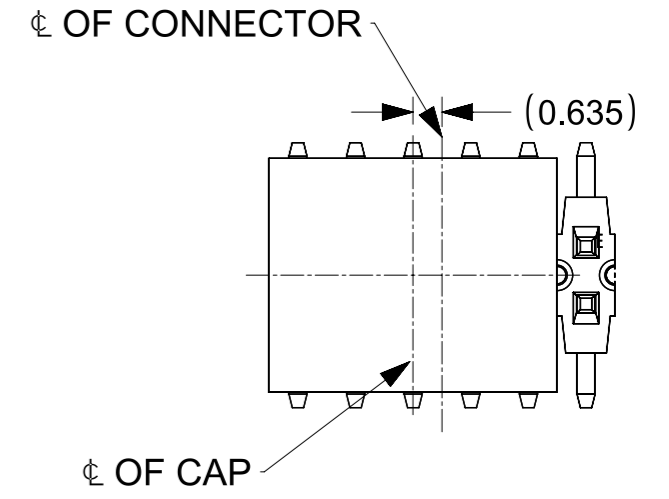


△ 6 CAP POSITION WITH RESPECT TO CONNECTOR

FOR CKT 10 & BELOW & CKT 14, 18, 22, 26, 30, 34, 38, 42, 46, 50, 54, 58, 62, 66, 70, 74, 78, 82, 86, 90, 94, 98



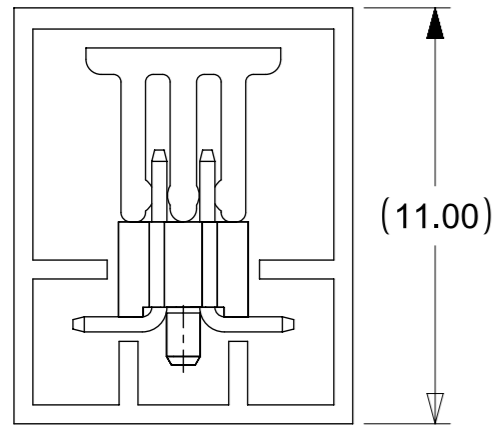
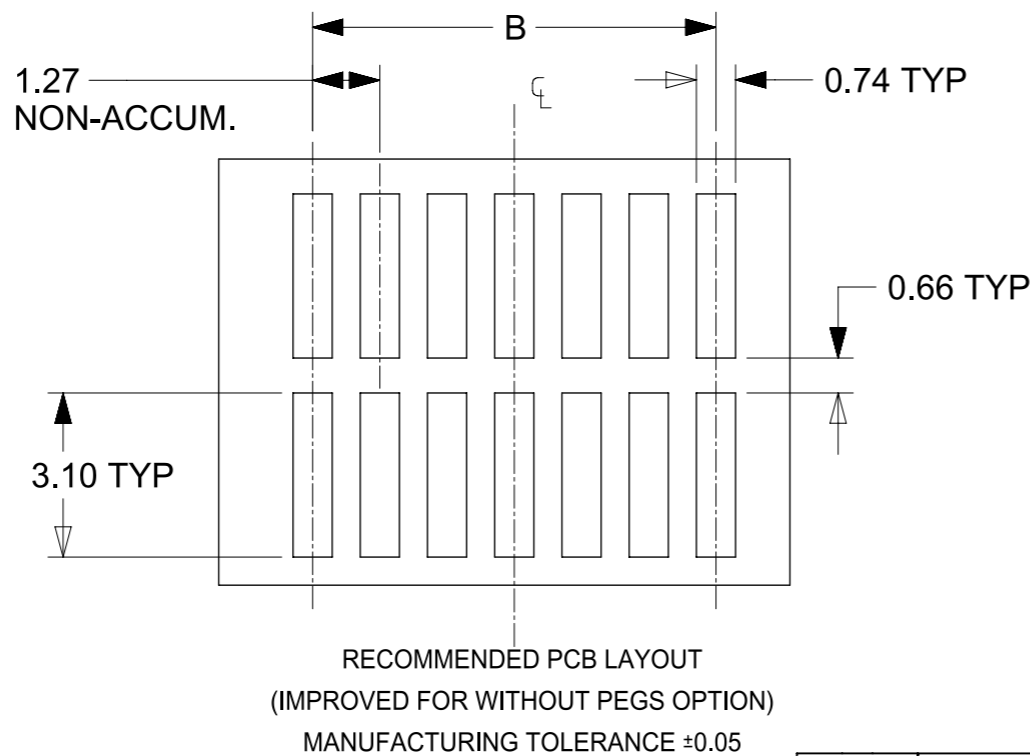
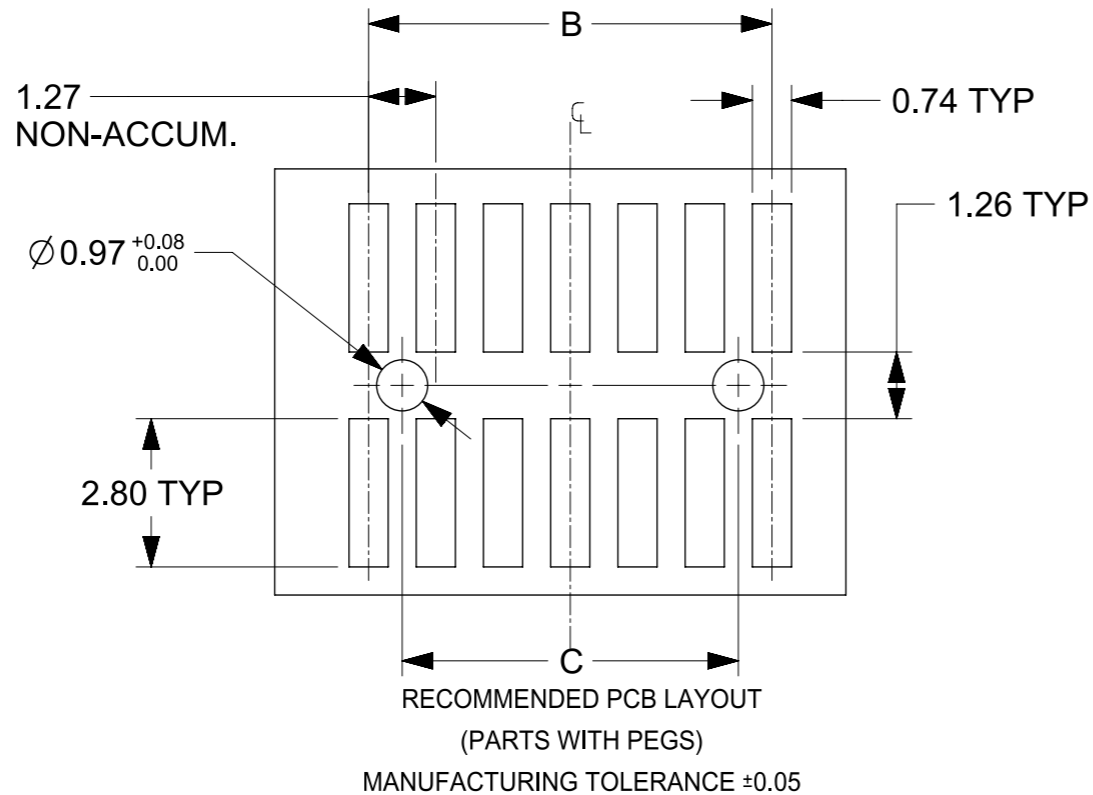
FOR 12, 16, 20, 24, 28, 32, 36, 40, 44, 48, 52, 56, 60, 64, 68, 72, 76, 80, 84, 86, 92, 96, 100



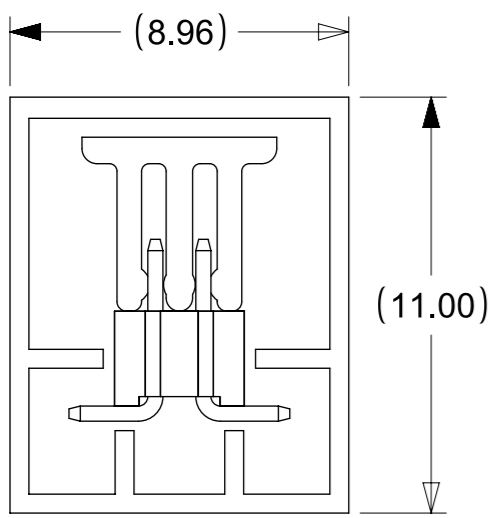
0.40	SQ	TYP	
0.30	Z	Y	X

THIS DRAWING CONTAINS INFORMATION THAT IS PROPRIETARY TO MOLEX ELECTRONIC TECHNOLOGIES, LLC AND SHOULD NOT BE USED WITHOUT WRITTEN PERMISSION										
QUALITY SYMBOLS	SHEET 3-5, ADD P/N	EC NO: 123611	DRWN: SCHEONG	CHK'D: GMENARLY	REV APPR: KHLIM	GENERAL TOLERANCES (UNLESS SPECIFIED)		DIMENSION UNITS	SCALE	
						4 PLACES ±	3 PLACES ±	mm	1:1	
▽ = 0	▽ = 0	▽ = 0	▽ = 0	▽ = 0	▽ = 0	ANGULAR TOL ± 3.0 °	2 PLACES ± 0.2	1 PLACE ±	0 PLACES ±	
▽ = 0	▽ = 0	▽ = 0	▽ = 0	▽ = 0	▽ = 0	DRAFT WHERE APPLICABLE MUST REMAIN WITHIN DIMENSIONS	DRAFT WHERE APPLICABLE MUST REMAIN WITHIN DIMENSIONS			
▽ = 0	▽ = 0	▽ = 0	▽ = 0	▽ = 0	▽ = 0		DRAWING SIZE	THIRD ANGLE PROJECTION		
▽ = 0	▽ = 0	▽ = 0	▽ = 0	▽ = 0	▽ = 0		A3			
							1.27MM PITCH SMT HEADER WITH CAP PACKED IN TUBE			
							PRODUCT CUSTOMER DRAWING			
RELEASE STATUS		RELEASE DATE				SERIES	MATERIAL NUMBER	CUSTOMER		
						87933	SEE TABLE	GENERAL MARKET		
							DOCUMENT NUMBER	DOC TYPE	DOC PART	SHEET NUMBER
							SD-87933-0001	PSD	000	1 OF 5

CKT SIZE	DIM A	DIM B	DIM C
4	2.54	1.27	-
6	3.81	2.54	-
8	5.08	3.81	-
10	6.35	5.08	3.81
12	7.62	6.35	-
14	8.89	7.62	-
16	10.16	8.89	-
18	11.43	10.16	-
20	12.70	11.43	10.16
22	13.97	12.70	-
24	15.24	13.97	-



PART WITH PEG & CAP  
PACKED IN TUBE



PART WITHOUT PEG &  
WITH CAP PACKED IN TUBE

NOTE:

- MATERIAL: HOUSING: LCP GLASS FILLED, COLOR: BLACK  
TERMINAL: COPPER ALLOY
- PIN PUSHOUT FORCE: 0.4KG MIN. IN EITHER DIRECTION.
- PLATING FINISH:
  - 2 MICRO INCH MIN. GOLD FLASH OVERALL, 50 MICRO INCH MIN. NICKEL UNDERPLATED
  - 100 MICRO INCH MIN. TIN OVERALL, 50 MICRO INCH MIN. NICKEL UNDERPLATED
  - 30 MICRO INCH MIN. GOLD PLATE IN SELECTED AREA AND 80 MICRO INCH MIN. TIN IN SELECTED AREA OVER, 50 MICRO INCH MIN. NICKEL UNDERPLATED
  - 15 MICRO INCH MIN. GOLD PLATE IN SELECTED AREA AND 80 MICRO INCH MIN. TIN IN SELECTED AREA OVER, 50 MICRO INCH MIN. NICKEL UNDERPLATED
  - 2 MICRO INCH MIN. GOLD FLASH IN SELECTED AREA AND 100 MICRO INCH MIN. TIN IN SELECTED AREA OVER, 50 MICRO INCH MIN. NICKEL UNDERPLATED
- THE ABOVE 14 CKT SHOWN IS FOR ILLUSTRATION ONLY.
- PARTS TO BE PACKED IN TUBE EXCEPT FOR 4 CKTS.
- POSITION OF CAP TO BE LOCATED AS SHOWN.
- IRREGULAR CIRCUIT CUTOFF WITHIN BREAKAWAY SECTION IS PERMISSIBLE. CUTTING OR CHIPPING OF THE MAIN BODY IS NOT ACCEPTABLE.
- PACKAGING SPECIFICATION REFER TO  
TUBE : PK-89990-565  
TAPE & REEL : PK-87933-300
- PRODUCT SPECIFICATION: 879330001\_PS
- MATED SERIES: 78120 EXCEPT FOR FULL TIN PLATING FINISH
- PARTS CONFORMS TO CLASS "B" REQUIREMENT TO COSMETIC SPECIFICATION PS-45499-002

THIS DRAWING CONTAINS INFORMATION THAT IS PROPRIETARY TO MOLEX ELECTRONIC TECHNOLOGIES, LLC AND SHOULD NOT BE USED WITHOUT WRITTEN PERMISSION													
QUALITY SYMBOLS	SHEET 3-5, ADD P/N	EC NO: 123611	DRWN: SCHEONG	CHK'D: GMENARLY	REV APPR: KHLIM	2017/08/22	2017/10/23	2017/11/07	GENERAL TOLERANCES (UNLESS SPECIFIED)		DIMENSION UNITS	SCALE	<b>molex</b> <sup>®</sup>
									ANGULAR TOL ± 3.0 °	4 PLACES ±	mm	NTS	
▽A = 0													1.27MM PITCH SMT HEADER WITH CAP PACKED IN TUBE
▽E = 0										DRWN BY	DATE		
▽F = 0										3 PLACES ±	SCHEONG	2016/09/14	
▽ = 0										2 PLACES ± 0.2	CHK'D BY	DATE	
▽C = 0										1 PLACE ±	GMENARLY	2016/12/16	
⊗ = 0										0 PLACES ±	APPR BY	DATE	
■ = 0										DRAFT WHERE APPLICABLE MUST REMAIN WITHIN DIMENSIONS		KHLIM	2016/12/19
▽ = 0										DRAWING SIZE	THIRD ANGLE PROJECTION		
										A3			
PRODUCT CUSTOMER DRAWING			SERIES	MATERIAL NUMBER	CUSTOMER								
			87933	SEE TABLE	GENERAL MARKET								
RELEASE STATUS			P1	RELEASE DATE	07.11.2017	01:39:41							
DOCUMENT NUMBER			DOC TYPE		DOC PART	SHEET NUMBER							
SD-87933-0001			PSD		000	2 OF 5							

9		8		7		6		5		4		3		2		1	
P/N WITH CAP PACKED IN T&R	TOOLED	NOT TOOLED	P/N WITH CAP PACKED IN TUBE	PEG	CKT SIZE	PLATING OPTIONS	DIM. M			P/N WITH CAP PACKED IN T&R	TOOLED	NOT TOOLED	P/N WITH CAP PACKED IN TUBE	PEG	CKT SIZE	PLATING OPTIONS	DIM. M
87933-0422		X	-	N	04	1	1.65			87933-0828		X	87933-0818	N	08	4	3.05
87933-0438		X	-	N	04	2	1.65			87933-0824		X	87933-0823	N	08	5	3.05
87933-0439		X	-	N	04	3	1.65			87933-1022	X		87933-1007	N	10	1	1.65
87933-0440		X	-	N	04	4	1.65			87933-1038	X		87933-1008	N	10	2	1.65
87933-0446		X	-	N	04	5	1.65			87933-1039	X		87933-1009	N	10	3	1.65
87933-0441		X	-	N	04	1	1.91			87933-1040	X		87933-1010	N	10	4	1.65
87933-0442		X	-	N	04	2	1.91			87933-1046	X		87933-1045	N	10	5	1.65
87933-0443		X	-	N	04	3	1.91			87933-1041		X	87933-1011	N	10	1	1.91
87933-0444		X	-	N	04	4	1.91			87933-1042		X	87933-1012	N	10	2	1.91
87933-0448		X	-	N	04	5	1.91			87933-1043		X	87933-1013	N	10	3	1.91
87933-0425		X	-	N	04	1	3.05			87933-1044		X	87933-1014	N	10	4	1.91
87933-0426		X	-	N	04	2	3.05			87933-1048		X	87933-1047	N	10	5	1.91
87933-0427		X	-	N	04	3	3.05			87933-1025	X		87933-1015	N	10	1	3.05
87933-0428		X	-	N	04	4	3.05			87933-1026	X		87933-1016	N	10	2	3.05
87933-0424		X	-	N	04	5	3.05			87933-1021	X		87933-1017	N	10	3	3.05
87933-0622		X	87933-0607	N	06	1	1.65			87933-1028	X		87933-1018	N	10	4	3.05
87933-0638		X	87933-0608	N	06	2	1.65			87933-1024	X		87933-1023	N	10	5	3.05
87933-0639		X	87933-0609	N	06	3	1.65			87933-1237		X	87933-1252	N	12	1	1.65
87933-0640		X	87933-0610	N	06	4	1.65			87933-1238		X	87933-1258	N	12	2	1.65
87933-0646		X	87933-0645	N	06	5	1.65			87933-1239		X	87933-1259	N	12	3	1.65
87933-0641		X	87933-0611	N	06	1	1.91			87933-1240		X	87933-1260	N	12	4	1.65
87933-0642		X	87933-0612	N	06	2	1.91			87933-1246		X	87933-1245	N	12	5	1.65
87933-0643		X	87933-0613	N	06	3	1.91			87933-1241		X	87933-1261	N	12	1	1.91
87933-0644		X	87933-0614	N	06	4	1.91			87933-1242		X	87933-1262	N	12	2	1.91
87933-0648		X	87933-0647	N	06	5	1.91			87933-1243		X	87933-1263	N	12	3	1.91
87933-0625		X	87933-0615	N	06	1	3.05			87933-1244		X	87933-1264	N	12	4	1.91
87933-0626		X	87933-0616	N	06	2	3.05			87933-1248		X	87933-1247	N	12	5	1.91
87933-0627		X	87933-0617	N	06	3	3.05			87933-1225		X	87933-1219	N	12	1	3.05
87933-0628		X	87933-0618	N	06	4	3.05			87933-1228		X	87933-1220	N	12	2	3.05
87933-0624		X	87933-0623	N	06	5	3.05			87933-1227		X	87933-1221	N	12	3	3.05
87933-0822		X	87933-0807	N	08	1	1.65			87933-1232		X	87933-1222	N	12	4	3.05
87933-0838		X	87933-0808	N	08	2	1.65			87933-1224		X	87933-1223	N	12	5	3.05
87933-0839		X	87933-0809	N	08	3	1.65										
87933-0840		X	87933-0810	N	08	4	1.65										
87933-0846		X	87933-0845	N	08	5	1.65										
87933-0841		X	87933-0811	N	08	1	1.91										
87933-0842		X	87933-0812	N	08	2	1.91										
87933-0843		X	87933-0813	N	08	3	1.91										
87933-0844		X	87933-0814	N	08	4	1.91										
87933-0848		X	87933-0847	N	08	5	1.91										
87933-0825		X	87933-0815	N	08	1	3.05										
87933-0826		X	87933-0816	N	08	2	3.05										
87933-0827		X	87933-0817	N	08	3	3.05										

THIS DRAWING CONTAINS INFORMATION THAT IS PROPRIETARY TO MOLEX ELECTRONIC TECHNOLOGIES, LLC AND SHOULD NOT BE USED WITHOUT WRITTEN PERMISSION

<b>QUALITY SYMBOLS</b> 	<b>SHEET 3-5, ADD P/N</b> EC NO: 123611 DRWN: SCHEONG CHK'D: GMENARLY APPR: KHLIM	2017/08/22 2017/10/23 2017/11/07	<b>GENERAL TOLERANCES (UNLESS SPECIFIED)</b> ANGULAR TOL ± 3.0 ° 4 PLACES ± 3 PLACES ± 2 PLACES ± 0.2 1 PLACE ± 0 PLACES ±	<b>DIMENSION UNITS</b> mm	<b>SCALE</b> NTS		
		DRWN BY SCHEONG	DATE 2016/09/14	<b>PRODUCT CUSTOMER DRAWING</b>			
		CHK'D BY GMENARLY	DATE 2016/12/16	SERIES 87933	MATERIAL NUMBER SEE TABLE		CUSTOMER GENERAL MARKET
		APPR BY KHLIM	DATE 2016/12/19	DOCUMENT NUMBER SD-87933-0001	DOC TYPE PSD		DOC PART 000

**DRAFT WHERE APPLICABLE MUST REMAIN WITHIN DIMENSIONS**  
**A3**



P/N WITH CAP PACKED IN T&R	TOOLED	NOT TOOLED	P/N WITH CAP PACKED IN TUBE	PEG	CKT SIZE	PLATING OPTIONS	DIM. M
87933-2437		X	87933-2407	N	24	1	1.65
87933-2438		X	87933-2408	N	24	2	1.65
87933-2439		X	87933-2409	N	24	3	1.65
87933-2440		X	87933-2410	N	24	4	1.65
87933-2446		X	87933-2445	N	24	5	1.65
87933-2441		X	87933-2411	N	24	1	1.91
87933-2442		X	87933-2412	N	22	2	1.91
87933-2443		X	87933-2413	N	24	3	1.91
87933-2444		X	87933-2414	N	24	4	1.91
87933-2448		X	87933-2447	N	24	5	1.91
87933-2425		X	87933-2415	N	24	1	3.05
87933-2426		X	87933-2416	N	24	2	3.05
87933-2427		X	87933-2417	N	24	3	3.05
87933-2428		X	87933-2418	N	24	4	3.05
87933-2424		X	87933-2423	N	24	5	3.05

THIS DRAWING CONTAINS INFORMATION THAT IS PROPRIETARY TO MOLEX ELECTRONIC TECHNOLOGIES, LLC AND SHOULD NOT BE USED WITHOUT WRITTEN PERMISSION													
<b>QUALITY SYMBOLS</b> 	SHEET 3-5, ADD P/N EC NO: 123611 DRWN: SCHEONG CHK'D: GMENARLY REV APPR: KHLIM	GENERAL TOLERANCES (UNLESS SPECIFIED)		DIMENSION UNITS	SCALE	 1.27MM PITCH SMT HEADER WITH CAP PACKED IN TUBE							
		ANGULAR TOL ± 3.0 °		mm	NTS								
		4 PLACES ±	DRWN BY	DATE	SCHEONG							2016/09/14	
		3 PLACES ±	3 PLACES ±	CHK'D BY	DATE	GMENARLY	2016/12/16	PRODUCT CUSTOMER DRAWING					
		2 PLACES ± 0.2	2 PLACES ±	APPR BY	DATE	KHLIM	2016/12/19						
		1 PLACE ±	1 PLACE ±	DRAWING SIZE	THIRD ANGLE PROJECTION	A3		SERIES	MATERIAL NUMBER	CUSTOMER			
		0 PLACES ±	0 PLACES ±	DRAFT WHERE APPLICABLE MUST REMAIN WITHIN DIMENSIONS				87933	SEE TABLE	GENERAL MARKET			
								DOCUMENT NUMBER	DOC TYPE	DOC PART	SHEET NUMBER		
								SD-87933-0001	PSD	000	5 OF 5		