



MICROCHIP

**Multimedia Expansion Board II (MEB II)
User's Guide**

Note the following details of the code protection feature on Microchip devices:

- Microchip products meet the specification contained in their particular Microchip Data Sheet.
- Microchip believes that its family of products is one of the most secure families of its kind on the market today, when used in the intended manner and under normal conditions.
- There are dishonest and possibly illegal methods used to breach the code protection feature. All of these methods, to our knowledge, require using the Microchip products in a manner outside the operating specifications contained in Microchip's Data Sheets. Most likely, the person doing so is engaged in theft of intellectual property.
- Microchip is willing to work with the customer who is concerned about the integrity of their code.
- Neither Microchip nor any other semiconductor manufacturer can guarantee the security of their code. Code protection does not mean that we are guaranteeing the product as "unbreakable."

Code protection is constantly evolving. We at Microchip are committed to continuously improving the code protection features of our products. Attempts to break Microchip's code protection feature may be a violation of the Digital Millennium Copyright Act. If such acts allow unauthorized access to your software or other copyrighted work, you may have a right to sue for relief under that Act.

Information contained in this publication regarding device applications and the like is provided only for your convenience and may be superseded by updates. It is your responsibility to ensure that your application meets with your specifications. MICROCHIP MAKES NO REPRESENTATIONS OR WARRANTIES OF ANY KIND WHETHER EXPRESS OR IMPLIED, WRITTEN OR ORAL, STATUTORY OR OTHERWISE, RELATED TO THE INFORMATION, INCLUDING BUT NOT LIMITED TO ITS CONDITION, QUALITY, PERFORMANCE, MERCHANTABILITY OR FITNESS FOR PURPOSE. Microchip disclaims all liability arising from this information and its use. Use of Microchip devices in life support and/or safety applications is entirely at the buyer's risk, and the buyer agrees to defend, indemnify and hold harmless Microchip from any and all damages, claims, suits, or expenses resulting from such use. No licenses are conveyed, implicitly or otherwise, under any Microchip intellectual property rights.

Trademarks

The Microchip name and logo, the Microchip logo, dsPIC, FlashFlex, KEELOQ, KEELOQ logo, MPLAB, PIC, PICmicro, PICSTART, PIC³² logo, rPIC, SST, SST Logo, SuperFlash and UNI/O are registered trademarks of Microchip Technology Incorporated in the U.S.A. and other countries.

FilterLab, Hampshire, HI-TECH C, Linear Active Thermistor, MTP, SEEVAL and The Embedded Control Solutions Company are registered trademarks of Microchip Technology Incorporated in the U.S.A.

Silicon Storage Technology is a registered trademark of Microchip Technology Inc. in other countries.


Analog-for-the-Digital Age, Application Maestro, BodyCom, chipKIT, chipKIT logo, CodeGuard, dsPICDEM, dsPICDEM.net, dsPICworks, dsSPEAK, ECAN, ECONOMONITOR, FanSense, HI-TIDE, In-Circuit Serial Programming, ICSP, Mindi, MiWi, MPASM, MPF, MPLAB Certified logo, MPLIB, MPLINK, mTouch, Omniscient Code Generation, PICC, PICC-18, PICDEM, PICDEM.net, PICkit, PICtail, REAL ICE, rLAB, Select Mode, SQI, Serial Quad I/O, Total Endurance, TSHARC, UniWinDriver, WiperLock, ZENA and Z-Scale are trademarks of Microchip Technology Incorporated in the U.S.A. and other countries.

SQTP is a service mark of Microchip Technology Incorporated in the U.S.A.

GestIC and ULPP are registered trademarks of Microchip Technology Germany II GmbH & Co. KG, a subsidiary of Microchip Technology Inc., in other countries.

All other trademarks mentioned herein are property of their respective companies.

© 2013-2014, Microchip Technology Incorporated, Printed in the U.S.A., All Rights Reserved.

 Printed on recycled paper.

ISBN: 978-1-62077-976-7

**QUALITY MANAGEMENT SYSTEM
CERTIFIED BY DNV
= ISO/TS 16949 =**

Microchip received ISO/TS-16949:2009 certification for its worldwide headquarters, design and wafer fabrication facilities in Chandler and Tempe, Arizona; Gresham, Oregon and design centers in California and India. The Company's quality system processes and procedures are for its PIC[®] MCUs and dsPIC[®] DSCs, KEELOQ[®] code hopping devices, Serial EEPROMs, microperipherals, nonvolatile memory and analog products. In addition, Microchip's quality system for the design and manufacture of development systems is ISO 9001:2000 certified.



MULTIMEDIA EXPANSION BOARD II (MEB II) USER'S GUIDE

Table of Contents

Chapter 1. Introduction

1.1 Kit Contents	11
1.2 System Diagram	11
1.3 Multimedia Features	13
1.4 MEB and MEB II Differences	17

Chapter 2. Hardware

2.1 Hardware Features	19
-----------------------------	----

Appendix A. Board Layout and Schematics

A.1 Board Layout	32
A.2 Schematics	35

Appendix B. Bill of Materials.....	49
---	-----------

Multimedia Expansion Board II (MEB II) User's Guide

NOTES:



MULTIMEDIA EXPANSION BOARD II (MEB II) USER'S GUIDE

Preface

NOTICE TO CUSTOMERS

All documentation becomes dated, and this manual is no exception. Microchip tools and documentation are constantly evolving to meet customer needs, so some actual dialogs and/or tool descriptions may differ from those in this document. Please refer to our web site (www.microchip.com) to obtain the latest documentation available.

Documents are identified with a “DS” number. This number is located on the bottom of each page, in front of the page number. The numbering convention for the DS number is “DSXXXXXXXXA”, where “XXXXXXXX” is the document number and “A” is the revision level of the document.

For the most up-to-date information on development tools, see the MPLAB® IDE online help. Select the Help menu, and then Topics to open a list of available online help files.

INTRODUCTION

This chapter contains general information that will be useful to know before using the Multimedia Expansion Board II (MEB II). Items discussed in this chapter include:

- [Document Layout](#)
- [Conventions Used in this Guide](#)
- [Recommended Reading](#)
- [The Microchip Web Site](#)
- [Development Systems Customer Change Notification Service](#)
- [Customer Support](#)
- [Document Revision History](#)

DOCUMENT LAYOUT

This document describes how to use the Multimedia Expansion Board II (MEB II) as a development tool to emulate and debug firmware on a target board. This user's guide is composed of the following chapters:

- **Chapter 1. “Introduction”** provides a brief overview of the starter kit, highlighting its features and uses.
- **Chapter 2. “Hardware”** provides the hardware descriptions of the starter kit.
- **Appendix A. “Board Layout and Schematics”** provides a block diagram, board layouts, and detailed schematics of the starter kit.
- **Appendix B. “Bill of Materials”** provides the bill of materials for the components used in the design and manufacture of the starter kit.

Multimedia Expansion Board II (MEB II) User's Guide

CONVENTIONS USED IN THIS GUIDE

This manual uses the following documentation conventions:

DOCUMENTATION CONVENTIONS

Description	Represents	Examples
Italic characters	Referenced books	<i>MPLAB IDE User's Guide</i>
	Emphasized text	...is the <i>only</i> compiler...
Initial caps	A window	the Output window
	A dialog	the Settings dialog
	A menu selection	select Enable Programmer
Quotes	A field name in a window or dialog	"Save project before build"
Underlined, italic text with right angle bracket	A menu path	<u><i>File>Save</i></u>
Bold characters	A dialog button	Click OK
	A tab	Click the Power tab
Text in angle brackets < >	A key on the keyboard	Press <Enter>, <F1>
Plain Courier New	Sample source code	#define START
	Filenames	autoexec.bat
	File paths	c:\mcc18\h
	Keywords	_asm, _endasm, static
	Command-line options	-Opa+, -Opa-
	Bit values	0, 1
	Constants	0xFF, 'A'
<i>Italic Courier New</i>	A variable argument	<i>file.o</i> , where <i>file</i> can be any valid filename
Square brackets []	Optional arguments	mcc18 [options] <i>file</i> [options]
Curly brackets and pipe character: { }	Choice of mutually exclusive arguments; an OR selection	errorlevel {0 1}
Ellipses...	Replaces repeated text	var_name [, var_name...]
	Represents code supplied by user	void main (void) { ... }
Notes	A Note presents information that we want to re-emphasize, either to help you avoid a common pitfall or to make you aware of operating differences between some device family members. A Note can be in a box, or when used in a table or figure, it is located at the bottom of the table or figure.	Note: This is a standard note box.
		CAUTION This is a caution note. Note 1: This is a note used in a table.

RECOMMENDED READING

This user's guide describes how to use the starter kit. The following Microchip documents are available and recommended as supplemental reference resources.

Release Notes for the Multimedia Expansion Board

For the latest information, Microchip has a dedicated web page for the Multimedia Expansion Board II (MEB II), which can be accessed at:
<http://www.microchip.com/meb2>

Family Reference Manual Sections

Family Reference Manual sections are available, which explain the operation of the PIC32 microcontroller family architecture and peripheral modules. The specifics of each device family are discussed in the individual family's device data sheet.

Device Data Sheets

Refer to the appropriate device data sheet for device-specific information and specifications. These documents may be obtained from the Microchip web site or your local sales office.

Reference information found in these data sheets includes:

- Device memory maps
- Device pinout and packaging details
- Device electrical specifications
- List of peripherals included on the devices

PIC32MX Flash Programming Specification (DS60001145)

Refer to this document for information on instruction sets and firmware development.

MPLAB[®] XC32 C/C++ Compiler User's Guide (DS50001686)

This document details the use of Microchip's MPLAB XC32 Compiler for PIC32 microcontrollers to develop 32-bit applications.

MPLAB[®] X IDE User's Guide (DS50002027)

Consult this document for more information pertaining to the installation and implementation of the MPLAB X IDE software.

THE MICROCHIP WEB SITE

Microchip provides online support via our web site at <http://www.microchip.com>. This web site makes files and information easily available to customers. Accessible by most Internet browsers, the web site contains the following information:

- **Product Support** – Data sheets and errata, application notes and sample programs, design resources, user's guides and hardware support documents, latest software releases and archived software
- **General Technical Support** – Frequently Asked Questions (FAQs), technical support requests, online discussion groups, Microchip consultant program member listings
- **Business of Microchip** – Product selector and ordering guides, latest Microchip press releases, listings of seminars and events; and listings of Microchip sales offices, distributors and factory representatives

Multimedia Expansion Board II (MEB II) User's Guide

DEVELOPMENT SYSTEMS CUSTOMER CHANGE NOTIFICATION SERVICE

Microchip's customer notification service helps keep customers current on Microchip products. Subscribers will receive e-mail notification whenever there are changes, updates, revisions or errata related to a specified product family or development tool of interest.

To register, access the Microchip web site at www.microchip.com, click on Customer Change Notification and follow the registration instructions.

The Development Systems product group categories are:

- **Compilers** – The latest information on Microchip C compilers and other language tools
- **Emulators** – The latest information on the Microchip in-circuit emulator, MPLAB REAL ICE™
- **In-Circuit Debuggers** – The latest information on the Microchip in-circuit debugger, MPLAB ICD 3
- **MPLAB X IDE** – The latest information on Microchip MPLAB X IDE, the Windows® Integrated Development Environment for development systems tools
- **Programmiers** – The latest information on Microchip programmers including the PICkit™ 3 development programmer

CUSTOMER SUPPORT

Users of Microchip products can receive assistance through several channels:

- Distributor or Representative
- Local Sales Office
- Field Application Engineer (FAE)
- Technical Support

Customers should contact their distributor, representative or field application engineer (FAE) for support. Local sales offices are also available to help customers. A listing of sales offices and locations is included in the back of this document.

Technical support is available through the web site at: <http://support.microchip.com>

DOCUMENT REVISION HISTORY

Revision A (November 2013)

This is the initial release of this document.

Revision B (March 2014)

This revision includes the following updates:

- Added item 9 (MPLAB REAL ICE In-Circuit Emulator) to **1.3 “Multimedia Features”**
- Updated **Figure 1-3: “Multimedia Expansion Board II (MEB II) Layout (Bottom)”**
- Updated **Figure 2-4: “EBI SRAM Memory”**
- Updated **Figure 2-8: “802.11b/g Transceiver”**
- Updated **Figure 2-11: “microSD Card Slot”**
- Updated **Figure 2-14: “Push Button and User Controlled LEDs”**
- Updated **Figure A-1: “MEB II Layout (Top Assembly)”**
- Updated **Figure A-2: “MEB II Layout (Bottom Assembly)”**
- Updated all schematics (see **Figure A-5** through **Figure A-20**)

Multimedia Expansion Board II (MEB II) User's Guide

NOTES:

Chapter 1. Introduction

Thank you for purchasing the Microchip Technology Multimedia Expansion Board II (MEB II). The MEB II is a compact, highly versatile development board, which in conjunction with a PIC32 starter kit and a display daughter board, provides a system for developing a wide range of multimedia applications. The MEB II kit includes a 4.3" WQVGA PCAP touch display daughter board and supports detachable display boards allowing for a variety of resolutions.

This chapter covers the following topics:

- [Kit Contents](#)
- [System Diagram](#)
- [Multimedia Features](#)
- [MEB and MEB II Differences](#)

1.1 KIT CONTENTS

The Multimedia Expansion Board II (MEB II) contains the following items:

- Multimedia Expansion Board II (MEB II) (Mother Board)
- 4.3" WQVGA Display Board (Daughter Board)
- Multimedia Expansion Board II (MEB II) Information Sheet

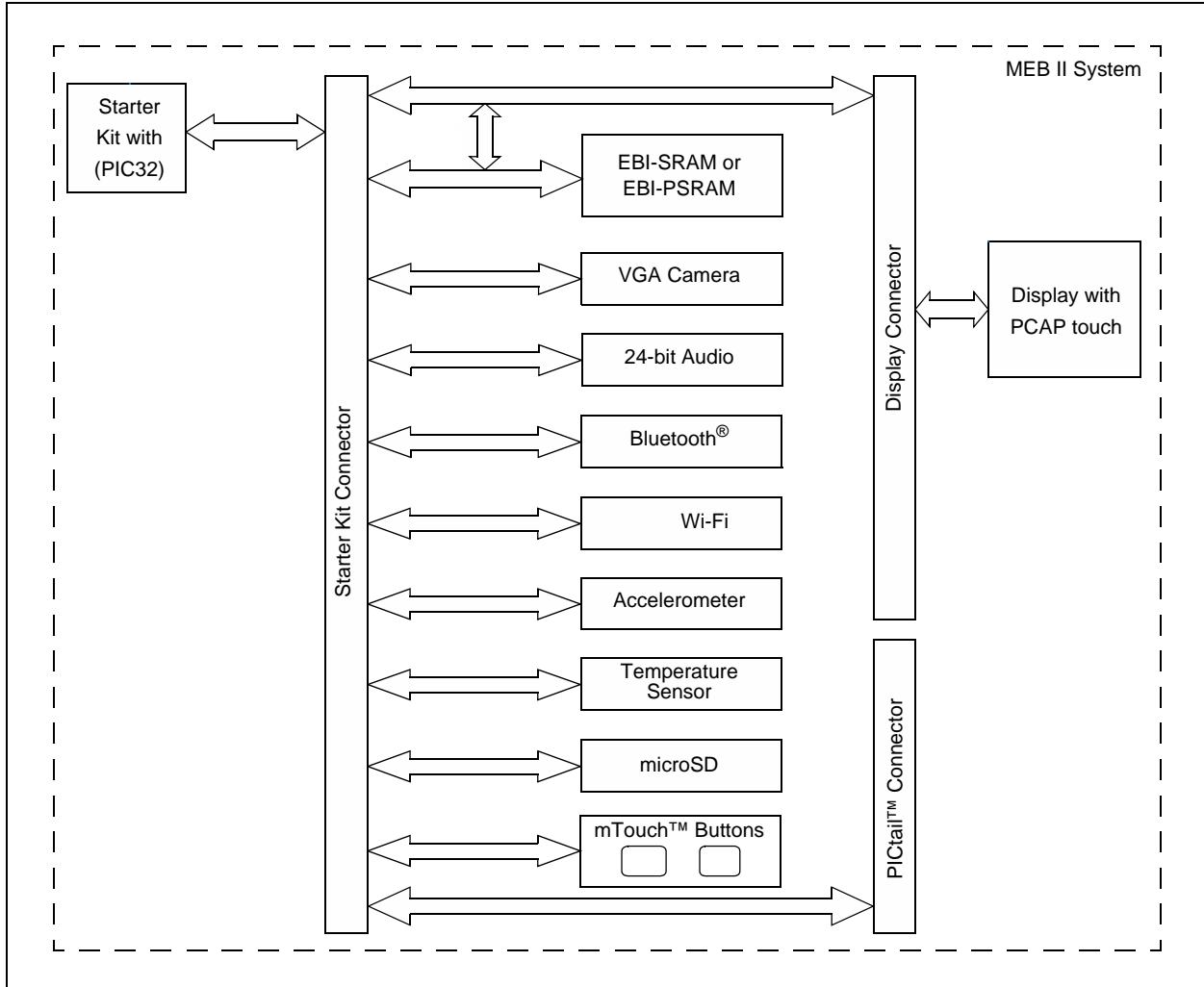
<p>Note: If you are missing any part of a kit, contact a Microchip sales office for assistance. A list of Microchip offices for sales and service is provided on the back page of this document.</p>

1.2 SYSTEM DIAGRAM

The MEB II system consists of the PIC32 Starter Kit, MEB II mother board, and a display daughter board (4.3" PCAP touch), as shown in [Figure 1-1](#). MEB II is a mother board that contains all the necessary components and interfaces to support the multimedia features. PIC32 starter kit connects to MEB II through a 168-pin board-to-board connector and contains the PIC32 microcontroller with additional components (debug, memory, communication etc). Refer to <http://www.microchip.com/meb2> for supported PIC32 Starter Kits and other additional information. The display daughter board is connected to the MEB II using a 60-pin board-to-board connector (detachable), providing flexibility to support a variety of displays.

Multimedia Expansion Board II (MEB II) User's Guide

FIGURE 1-1: MEB II SYSTEM DIAGRAM



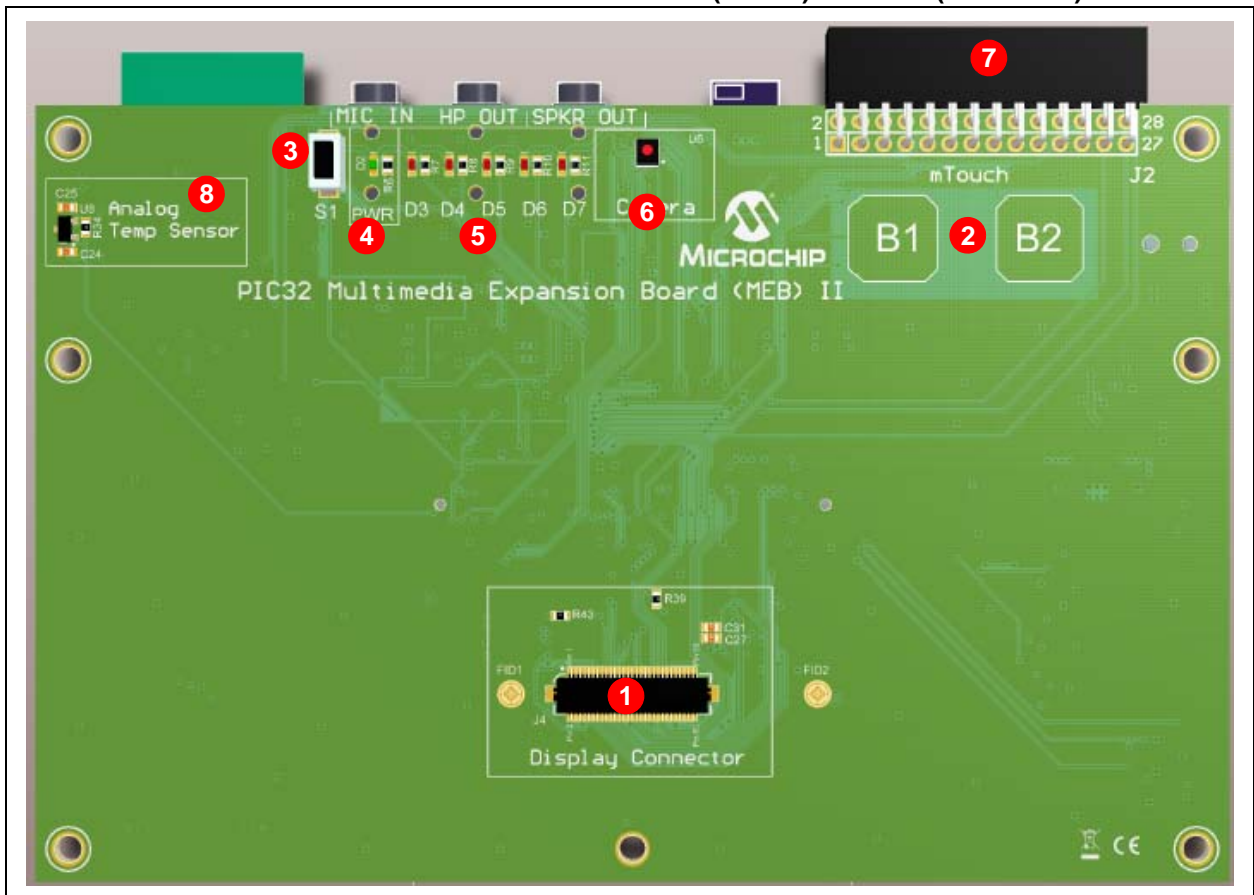
1.3 MULTIMEDIA FEATURES

The component layout of the MEB II is shown in [Figure 1-2](#) and [Figure 1-3](#). As mentioned previously, the MEB II kit also includes a 4.3" PCAP touch display board. The component layout of this board is shown in [Figure 1-4](#) and [Figure 1-5](#).

The top side of the MEB II includes these key features, as shown in [Figure 1-2](#):

1. Display daughter board connector (60-pin Hirose board-to-board connector)
2. mTouch™ buttons
3. Push Button
4. Power LED
5. User LEDs
6. VGA Camera (OVM7690)
7. PICtail™ Connector
8. Analog temperature sensor

FIGURE 1-2: MULTIMEDIA EXPANSION BOARD II (MEB II) LAYOUT (TOP VIEW)

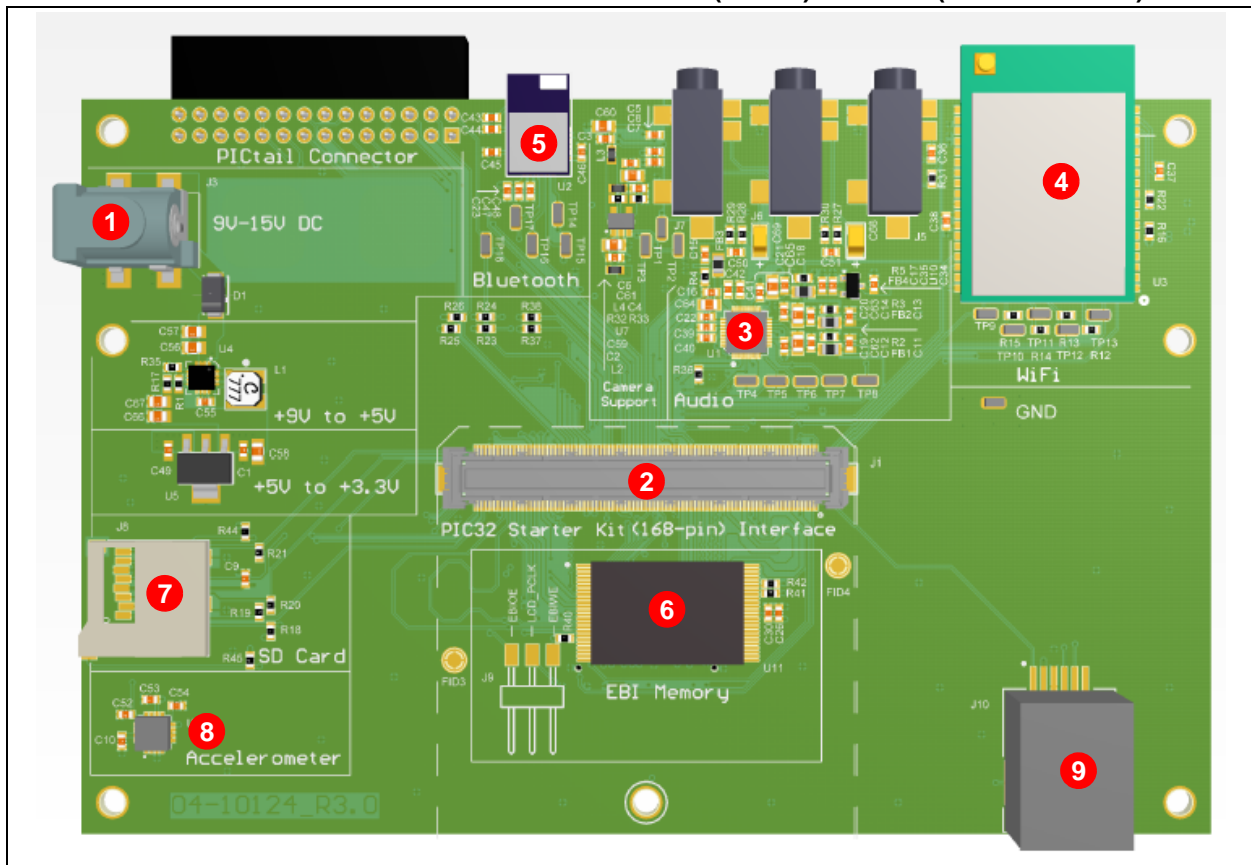


Multimedia Expansion Board II (MEB II) User's Guide

The bottom side of the MEB II includes these key features, as shown in [Figure 1-3](#):

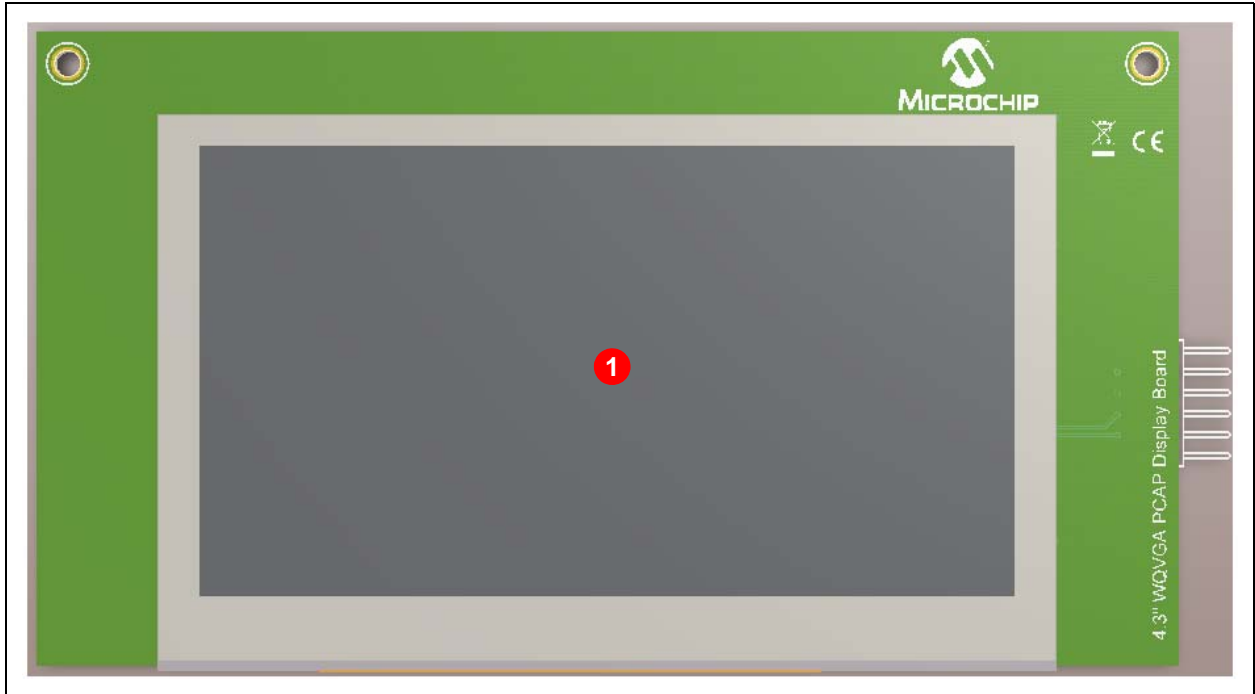
1. Regulated 5V and 3.3V power supply for powering the board through a 9-15V DC Adapter.
2. PIC32 Starter Kit connector (168-pin Hirose board-to-board connector).
3. 24-bit stereo audio codec (AK4953A).
4. Integrated 802.11bg wireless module (MRF24WG0MA).
5. Low-cost Bluetooth® HCI transceiver (BTM805).
6. EBI SRAM memory (IS61WV102416BLL).
7. microSD slot.
8. Analog accelerometer (ADXL325).
9. MPLAB® REAL ICE™ In-Circuit Emulator.

FIGURE 1-3: MULTIMEDIA EXPANSION BOARD II (MEB II) LAYOUT (BOTTOM VIEW)



The top side of the 4.3" WQVGA PCAP touch display board includes this key feature, as shown in [Figure 1-4](#): 1) 4.3" WQVGA glass with PCAP touch panel.

FIGURE 1-4: WQVGA PCAP TOUCH DISPLAY BOARD LAYOUT (TOP VIEW)

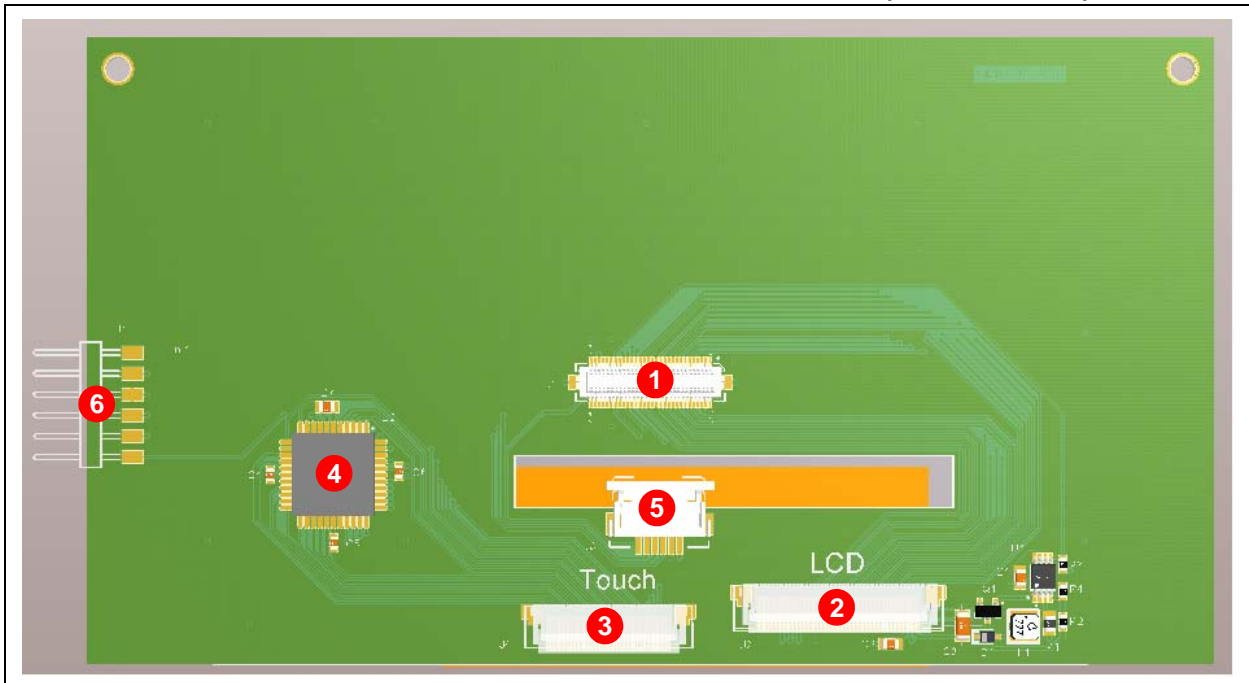


Multimedia Expansion Board II (MEB II) User's Guide

The bottom side of the 4.3" WQVGA PCAP touch display board includes these key features, as shown in [Figure 1-5](#):

1. 60-pin MEB II connector.
2. Display panel connector.
3. PCAP touch connector.
4. Microchip touch controller (MTCH6301).
5. 6-in PCAP touch connector for future use.
6. PICKit™ Serial Analyzer interface (optional)

FIGURE 1-5: WQVGA PCAP TOUCH DISPLAY BOARD LAYOUT (BOTTOM VIEW)



1.4 MEB AND MEB II DIFFERENCES

Table 1-1 describes the differences between the first (MEB) and second (MEB II) generation boards.

TABLE 1-1: MEB BOARD DIFFERENCES

Feature	MEB II	MEB
Starter Kit Connector	160-pin Hirose FX10 series board-to-board connector	132-pin Hirose FX10 series board-to-board connector
Starter Kit	Refer to: http://www.microchip.com/meb2	Refer to: http://www.microchip.com/meb
Display	Low-Cost Controllerless (LCC) graphics	On-board graphics controller (SSD1926)
	60-pin display connector	N/A
	Includes a 4.3" WQVGA display with projected capacitive touch(MTCH6301)	3.2" QVGA display with resistive touch
	Supports up to 7" WVGA display through a connector	N/A
External SRAM (EBI)	ISSI 2 MB external synchronous RAM (IS61WV102416BLL-10TLI)	N/A
VGA Camera	Available on board	N/A
Audio	24-bit audio codec (AK4953A)	24-bit audio codec (WM8731)
Bluetooth®	Low cost Bluetooth™ HCI transceiver	N/A
Wi-Fi	IEEE 802.11b/g (MRF24WG0MA) transceiver module	IEEE 802.11b (MRF24WB0MA) transceiver module
Accelerometer	ADXL325 3-axis analog accelerometer	BMA150 3-axis digital accelerometer and temperature sensor
Temperature Sensor	MCP9700T analog temperature sensor	Temperature sensor in BMA150
microSD	Connects to Host CPU on the starter kit	Connects to the graphics controller
mTouch™ Buttons	Two touch buttons; additional touch button support through a PICtail™ connector	Touch button support through a PICtail™ connector
PICtail™ Connector	Yes	Yes
EEPROM	N/A	128-byte EEPROM (24LC08)
SPI Flash	See Note 1	2 MB SST25VF016 serial Flash
CPLD	See Note 2	Xilinx XC2C64A for port enhancement
Joystick	N/A	Available

Note 1: Serial Quad Flash support through the PIC32 Starter Kit.

2: Port enhancement is not necessary due to extended connector and available device pins.

Multimedia Expansion Board II (MEB II) User's Guide

NOTES:

Chapter 2. Hardware

This chapter describes the hardware features used in the MEB II and the 4.3" WQVGA PCAP Touch Display Board.

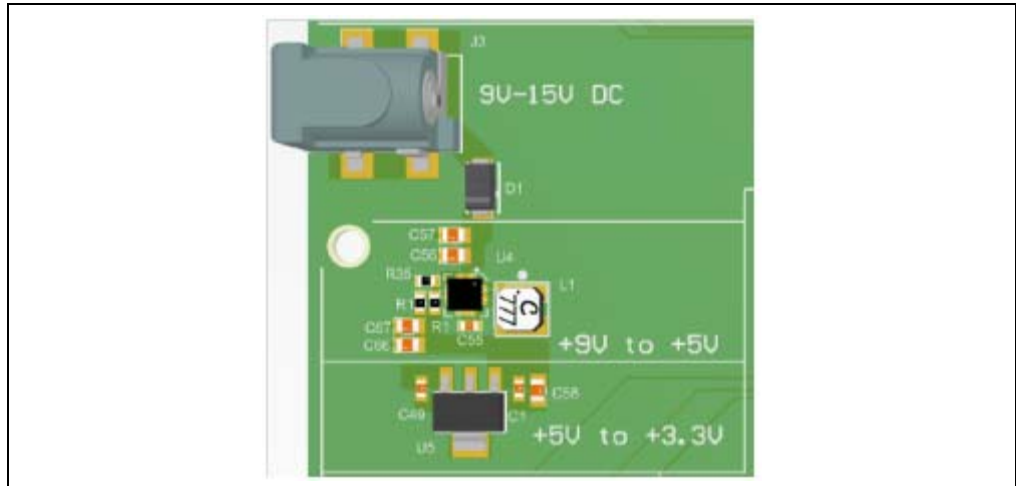
2.1 HARDWARE FEATURES

Note: Refer to [Appendix A. "Board Layout and Schematics"](#) and [Appendix B. "Bill of Materials"](#) for the schematics and manufacturer and part number information of the hardware components used in the Multimedia Expansion Board II (MEB II) and the 4.3" WQVGA PCAP Touch Display Board.

2.1.1 Power Supply

Power can be supplied to the MEB II in two ways: 1) through the DC connector (J3) located on the MEB II (Figure 2-1), and 2) through the USB on the Starter Kit. By connecting a 9-15V power supply to the DC connector or the USB device on the Starter Kit, the MEB II, Display Daughter Board and the Starter Kit will receive the proper voltages. However, if the application plans to use multiple features of the MEB II, it is recommended to use a 9V to 15V DC power supply.

FIGURE 2-1: 9V TO 15V DC POWER SUPPLY



CAUTION

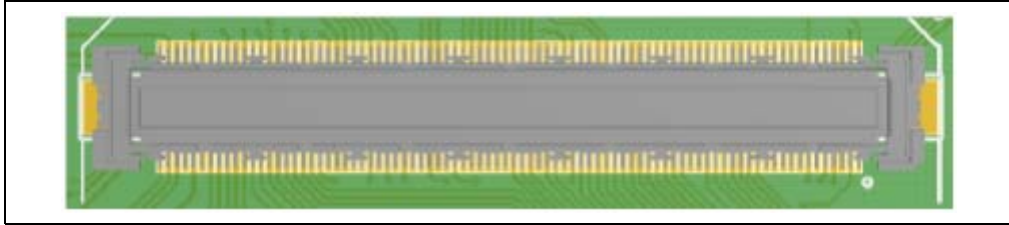
When connecting the Multimedia Expansion Board II (MEB II) to a starter kit, do not have power applied to either the starter kit or the DC power supply. Failure to heed this caution could result in hardware damage.

Multimedia Expansion Board II (MEB II) User's Guide

2.1.2 Starter Kit Connector

The starter kit connector, as shown in [Figure 2-2](#), is a high-speed, 168-pin Hirose FX10 board-to-board connector that is used to connect the MEB II to PIC32 starter kits.

FIGURE 2-2: STARTER KIT CONNECTOR



CAUTION

When connecting the Multimedia Expansion Board II (MEB II) to a starter kit, do not have power applied through either the starter kit or the DC power supply. Failure to heed this caution could result in hardware damage.

After connecting a PIC32 starter kit, applications can be developed and run using the rich features of the MEB II. [Table 2-1](#) shows the Starter Kit Connector pin and the MEB II component mapping.

TABLE 2-1: STARTER KIT CONNECTOR MAPPING

Starter Kit Connector			MEB II	
Pin Number	Signal	Pin Type	Component	Description
1	SS1	O	Audio Codec	Left-Right Clock
64	RH3	O		Audio Power Down
82	SDA2	I/O		I ² C Data
94	SDI1	I		Audio Serial Data Output
96	REFCLKO1	O		External Master Clock Input
112	SCL2	I/O		Serial Clock
117	SDO1	O		Audio Serial Data Input
118	SCK1	O		Audio Bit Clock
7	RB1	O	EBI-SRAM/Display	Horizontal Sync.
68	EBIWE	O		Pixel Clock
77	RJ3	O		Reset
78	EBICS2	O		Chip Select
103	RB4	O		Data Enable
108	RH9	O		Vertical Sync
116	RH13	O		Stand-by
131	EBID15	I/O		R0
132	LCD_B7	I/O		B7
133	LCD_R1	I/O		R1
134	EBID3	I/O		B6
135	LCD_R2	I/O	R2	
136	EBID2	I/O	B5	
137	EBID11	I/O	R3	

TABLE 2-1: STARTER KIT CONNECTOR MAPPING (CONTINUED)

Starter Kit Connector			MEB II	
Pin Number	Signal	Pin Type	Component	Description
138	EBID1	I/O	EBI-SRAM/Display	B4
139	EBID12	I/O		R4
140	EBID0	I/O		B3
141	EBID13	I/O		R5
142	EBID4	I/O		B2
143	EBID14	I/O		R6
144	LCD_B1	I/O		B1
145	LCD_R7	I/O		R7
146	LCD_B0	I/O		B0
147	EBID10	I/O		G0
148	LCD_G7	I/O		G7
149	LCD_G1	I/O		G1
150	EBID9	I/O		G6
151	EBID5	I/O		G2
152	EBID8	I/O		G5
153	EBID6	I/O		G3
154	EBID7	I/O		G4
155	EBIOE	O	Pixel Clock	
13	MCLR	I/O	Touch	Touch Controller Reset (System Reset in general)
110	RH10	O		Touch Wake-up
124	SCL1	I/O		Serial Clock
126	SDA1	I/O		Serial Data
92	AN42	I	mTouch button	Touch Button B1
111	AN28	I		Touch Button B2
80	RJ7	O	VGA Camera	Power Down
86	RA9	I		Vertical Sync
90	OC5	O		System Input Clock
104	SDA3	I/O		Serial Data
106	SCL3	I/O		Serial Clock
19	INT2	I		VGA Camera Pixel
93	RE8	O	VGA Camera Regulator	Shutdown
27	EBIA1/RK1	I/O	EBI-SRAM/ VGA Camera	Address 1/VGA Camera Data 1
31	EBIA3/RK2	I/O		Address 3/VGA Camera Data 2
61	EBIA16/RK0	I/O		Address 16/VGA Camera Data 0
63	EBIA17/RK3	I/O		Address 17/VGA Camera Data 3
65	EBIA18/RK4	I/O		Address 17/VGA Camera Data 4
67	EBIA19/RK5	I/O		Address 17/VGA Camera Data 5
73	EBIA20/RK6	I/O		Address 17/VGA Camera Data 6
75	EBIA21/RK7	I/O		Address 17/VGA Camera Data 7

Multimedia Expansion Board II (MEB II) User's Guide

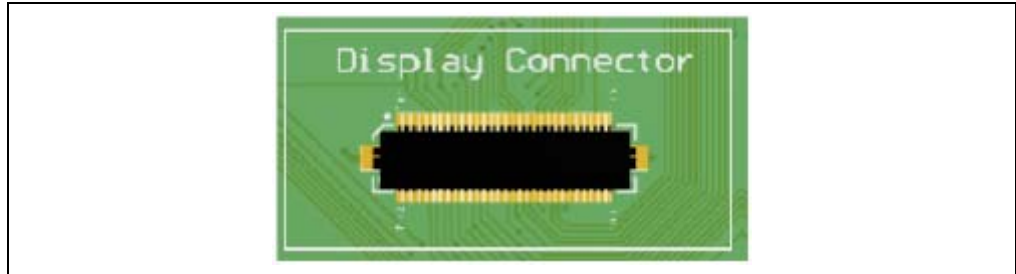
TABLE 2-1: STARTER KIT CONNECTOR MAPPING (CONTINUED)

Starter Kit Connector			MEB II	
Pin Number	Signal	Pin Type	Component	Description
25	EBIA0	O	EBI-SRAM	Address 0
29	EBIA2	O		Address 2
33	EBIA4	O		Address 4
35	EBIA5	O		Address 5
37	EBIA6	O		Address 6
43	EBIA7	O		Address 7
47	EBIA9	O		Address 9
49	EBIA10	O		Address 10
51	EBIA11	O		Address 11
53	EBIA12	O		Address 12
55	EBIA13	O		Address 13
57	EBIA14	O		Address 14
59	EBIA15	O		Address 15
79	EBIA23	O		Sleep Enable
81	EBIBS0	O		Bank Select 0 (Lower Bank)
83	EBIBS1	O		Bank Select 1 (Upper Bank)
14	INT0	I	Wi-Fi	Wi-Fi Interrupt
85	RH14	O		Sleep
89	SDI4	I		Serial Data Out
105	SDO4	O		Serial Data In
95	SS4	O		Chip Select
120	RJ0	O		Reset
114	SCK4	I/O		Serial Clock
87	SCK2	I	Bluetooth	Serial Transmit
107	RB2	O		Regulator Enable
122	U2RTS	O		Request-to-Send
91	U2CTS	I/O		Serial Clear-to-Send
88	U2TX	O		Serial Receive/mTouch Button Analog Channel
119	AN6	O	Accelerometer	X-axis Out
121	AN7	O		Y-axis Out
123	AN8	O		Z-axis Out
23	AN23	I	Temperature Sensor	Temp. Sense channel
163	SD_DATA3/SD_CD	I/O	microSD	Data 3/Card Detect
164	SD_DATA2	I/O		Data 2
165	SD_DATA1	I/O		Data 1
166	SD_DATA0	I/O		Data 0
167	SD_CLK	O		Clock
168	SD_CMD	O		Command
76	RJ5	I		Mechanical Card Detect
4	RA0	O	Fire Button	
113	RH0	O	LED1	
62	RH2	O	LED2	
115	RH1	O	LED3	
92	RH6	O	LED4	
84	RH11	O	LED5	

2.1.3 Display Connector

The MEB II supports display on a separate daughter card through a 60-pin Hirose DF12 board-to-board display connector, as shown in [Figure 2-3](#).

FIGURE 2-3: DISPLAY CONNECTOR



CAUTION

When connecting the Multimedia Expansion Board II (MEB II) to a starter kit or to the display daughter board, do not have power applied through either the starter kit or the DC power supply. Failure to heed this caution could result in hardware damage.

The MEB II supports a variety of displays through the daughter board and the kit includes a 4.3" WQVGA Projected Capacitive (PCAP) Touch display. Refer to [2.1.15 "4.3" WQVGA PCAP Touch Display Daughter Board](#) for additional details. [Table 2-2](#) shows the display connector functional mapping.

Multimedia Expansion Board II (MEB II) User's Guide

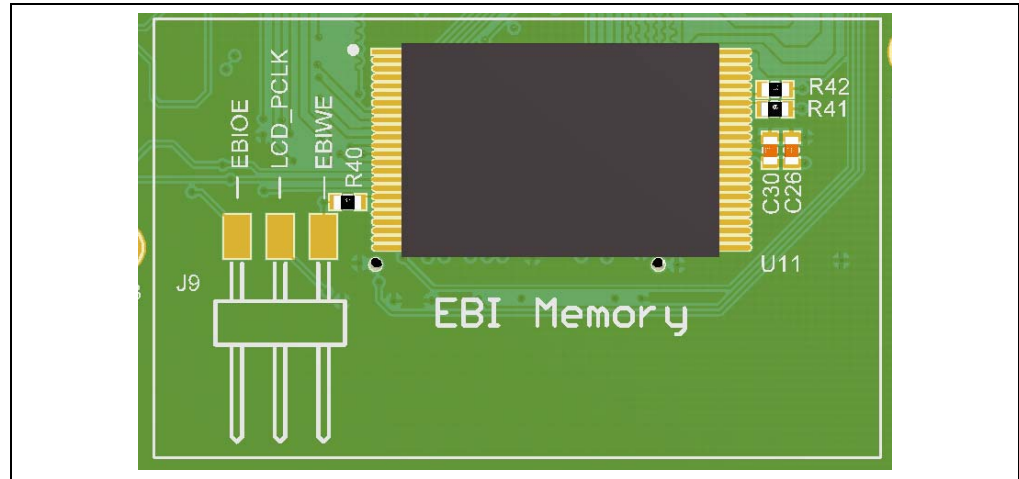
TABLE 2-2: DISPLAY CONNECTOR

Display Connector				
Pin Number	Signal	Pin Type	Description	
9	G4	I/O	Display RGB Data	
10	G0	I/O		
11	G5	I/O		
12	G1	I/O		
13	G6	I/O		
14	G2	I/O		
15	G7	I/O		
16	G3	I/O		
17	R0	I/O		
18	B0	I/O		
19	R1	I/O		
20	B1	I/O		
21	R2	I/O		
22	B2	I/O		
23	R3	I/O		
24	B3	I/O		
25	R4	I/O		
26	B4	I/O		
31	R5	I/O	Display Pixel Clock	
32	B5	I/O		
33	R6	I/O		
34	B6	I/O		
35	R7	I/O		
36	B7	I/O		
37	PCLK	I/O		
38	STBYB	I/O		Display Stand-by
39	VSYNC	I/O		Display Vertical Sync
40	HSYNC	I/O		Display Horizontal Sync
41	DE	I/O		Display Data Enable
42	CS	I/O		Display Chip Select
43	INT	I/O		Touch interrupt
44	SCL	I/O		Touch Serial Clock
45	WAKE	I/O		Touch Wake
46	SDA	I/O		Touch Serial Data
47	BLN	I/O		Display Backlight Enable
48	RESET	I/O		Display Reset
55	MCLR	I/O	System Reset	

2.1.4 EBI SRAM Memory (Optional)

The MEB II includes an External Bus Interface (EBI) routed to support both asynchronous SRAM and pseudo-SRAM memories. By default, these memories are not populated on the board and users can populate them as needed. The interface is routed considering both ISSI SRAM (IS61WV51216BLL-10TLI) and pseudo-SRAM (IS66WVE4M16BLL-70BLI) memories, as shown in [Figure 2-4](#).

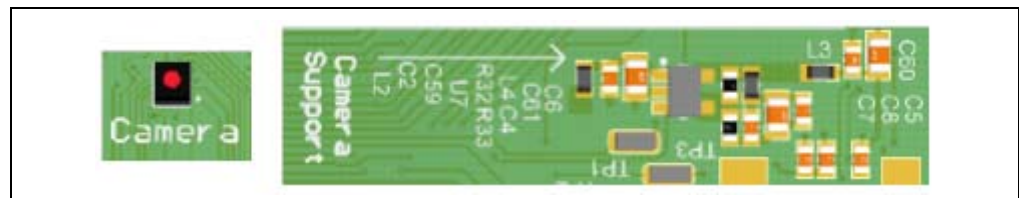
FIGURE 2-4: EBI SRAM MEMORY



2.1.5 VGA Camera Sensor

The MEB II includes an Omnivision OVM7690 VGA camera sensor with an active array size of 640 x 480 (VGA resolution), as shown in [Figure 2-5](#). The PIC32 microcontroller uses the I²C interface to control the sensor and the sensor communicates the image data through an 8-bit (DATA7-DATA0) data bus.

FIGURE 2-5: VGA CAMERA SENSOR

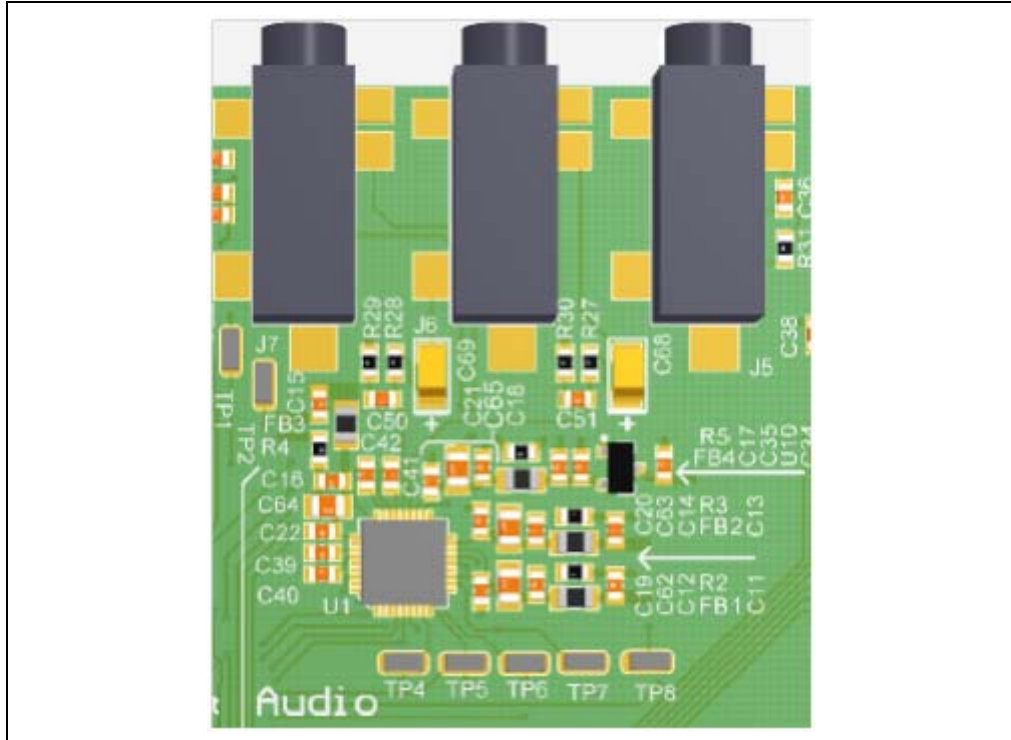


Multimedia Expansion Board II (MEB II) User's Guide

2.1.6 24-bit Audio Codec

The MEB II includes an Asahi Kasei AKM4953A 24-bit audio codec for high-quality audio, as shown in [Figure 2-6](#). The AK4953A is low power consumption 24-bit stereo codec with a microphone, headphone, and speaker amplifiers, which is suitable for portable applications with a recording/playback function. The I2C interface of the audio codec is used by the PIC32 device for control and the I²S interface is used for audio.

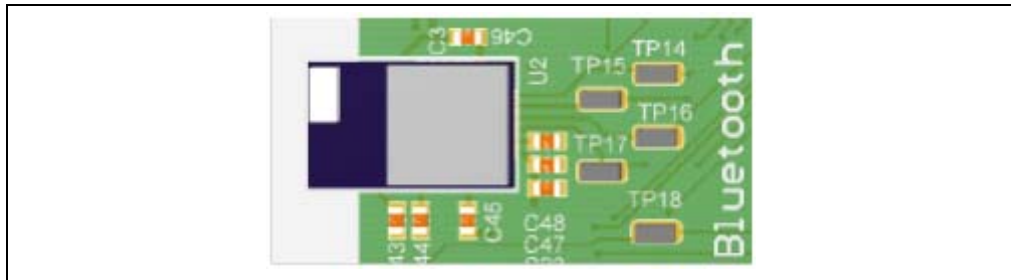
FIGURE 2-6: 24-BIT AUDIO CODEC



2.1.7 Bluetooth[®] HCI Transceiver

The Flaircomm BTM805 Bluetooth[®] Host Control Interface (HCI) module is included in the MEB II, adding Bluetooth capability, as shown in [Figure 2-7](#). The PIC32 microcontroller communicates with the Bluetooth module through the UART interface.

FIGURE 2-7: BLUETOOTH[®] TRANSCEIVER

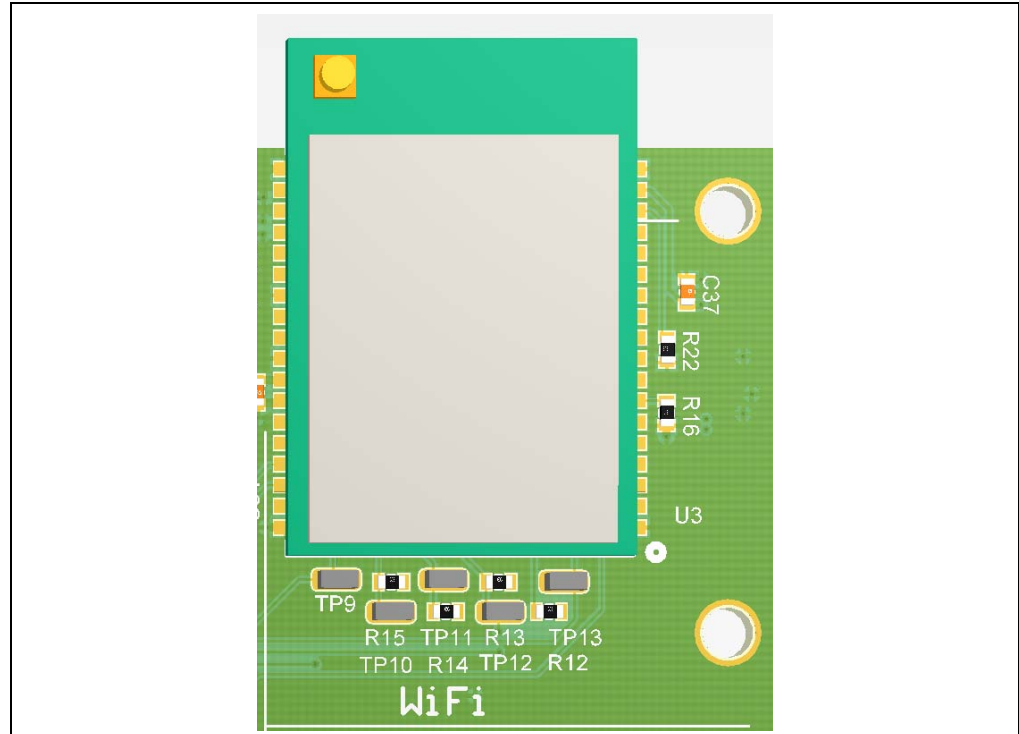


Note: In an application, since Bluetooth and microSD share the same pins on the board, only one can be used at any given time.

2.1.8 802.11b/g Wireless Transceiver

The MEB II includes 802.11b/g wireless connectivity through the Microchip MRF24WG0MA device, as shown in [Figure 2-8](#). The PIC32 microcontroller uses the SPI bus interface to communicate to the wireless module.

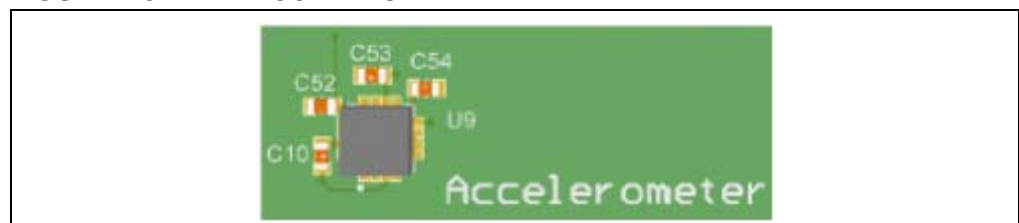
FIGURE 2-8: 802.11b/g TRANSCEIVER



2.1.9 Accelerometer

The MEB II includes an Analog Devices ADXL325BCPZ analog 3-axis accelerometer, as shown in [Figure 2-9](#). The ADXL325 is a small, low power, 3-axis accelerometer with signal conditioned voltage outputs that measures acceleration with a minimum full-scale range of $\pm 5g$. The accelerometer uses three analog channels from the PIC32 microcontroller for the three axes (x, y and z).

FIGURE 2-9: ACCELEROMETER

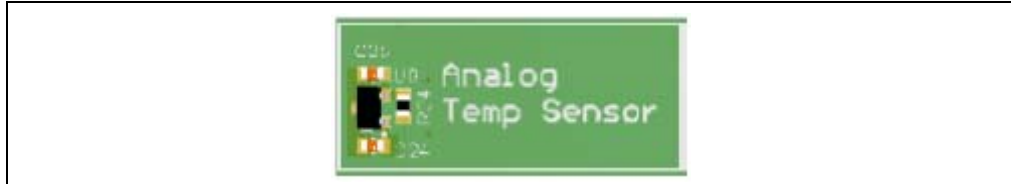


Multimedia Expansion Board II (MEB II) User's Guide

2.1.10 Temperature Sensor

The MEB II includes a Microchip MCP9700T analog temperature sensor, as shown in [Figure 2-10](#). The MCP9700T uses one analog channel on the PIC32 microcontroller. The MCP9700 Linear Active Thermistor™ IC is an analog temperature sensor that converts temperature to an analog voltage. The MCP9700 provides a low-cost solution for applications that require measurement of a relative change of temperature with $\pm 1^{\circ}\text{C}$ accuracy at room temperature.

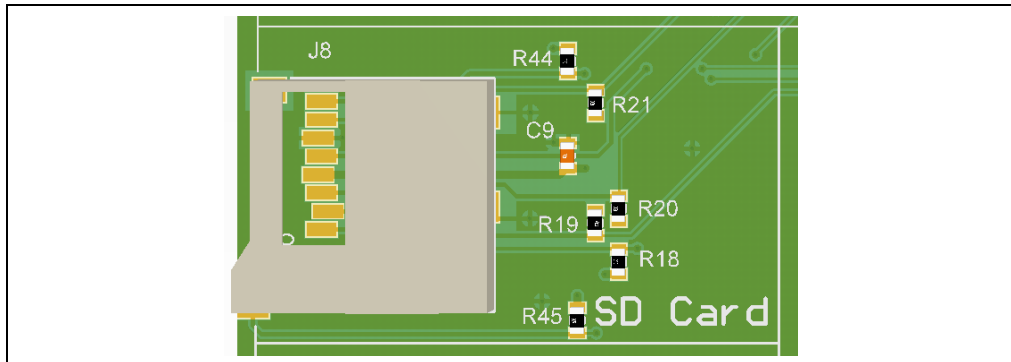
FIGURE 2-10: TEMPERATURE SENSOR



2.1.11 microSD Card Slot

The MEB II includes a microSD card slot that interfaces to the PIC32 microcontroller through an SD Interface, as shown in [Figure 2-11](#).

FIGURE 2-11: microSD CARD SLOT



Note: In an application, since Bluetooth and microSD share the same pins on the board, only one can be used at any given time.

2.1.12 Touch Buttons

The MEB II includes two touch buttons that use the Microchip mTouch™ technology, as shown in [Figure 2-12](#). These two touch buttons are interfaced to the PIC32 through two analog channels.

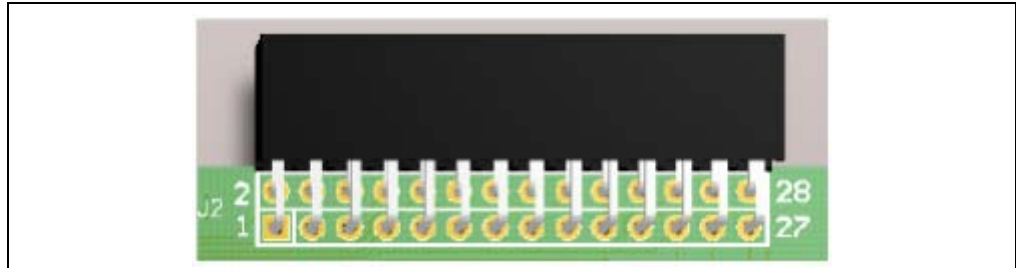
FIGURE 2-12: TOUCH BUTTONS



2.1.13 PICtail™ Connector

The MEB II includes an I/O expansion slot, which enables the use of several of Microchip's PICtail™ daughter boards, as shown in [Figure 2-13](#). For more information on how to interface to the board, as not all daughter boards are compatible, refer to the specific PICtail daughter board schematic.

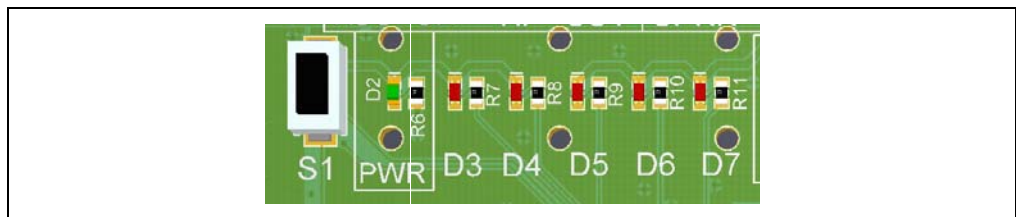
FIGURE 2-13: PICtail™ CONNECTOR



2.1.14 Push Button and User Controlled LEDs

The MEB II includes one power LED, five user-controlled LEDs, and one Push Button, as shown in [Figure 2-14](#).

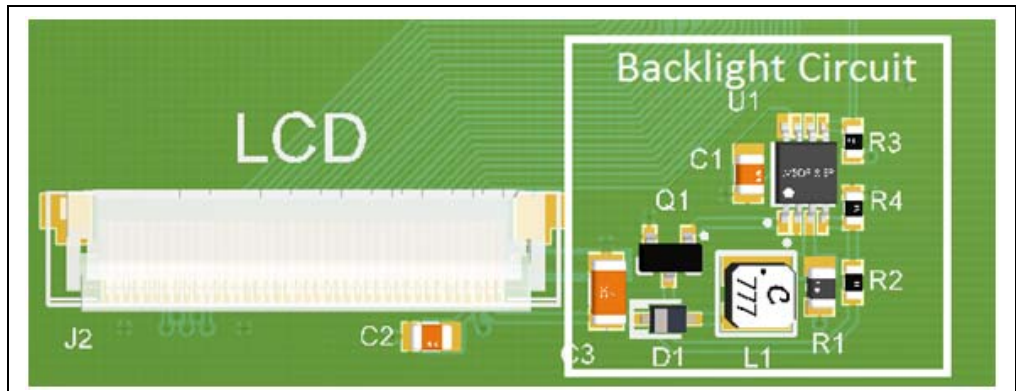
FIGURE 2-14: PUSH BUTTON AND USER CONTROLLED LEDs



2.1.15 4.3" WQVGA PCAP Touch Display Daughter Board

The 4.3" WQVGA PCAP touch display daughter board includes a 4.3" WQVGA display and a Microchip MTCH6301 touch controller to support the PCAP touch screen overlay on the display. The daughter board connects to the MEB II Development Board through a 60-pin board-to-board connector. Refer to [1.3 "Multimedia Features"](#) for additional information on the display daughter board component layout. [Figure 2-15](#) shows the display connector.

FIGURE 2-15: DISPLAY PANEL CONNECTOR AND BACKLIGHT CIRCUIT

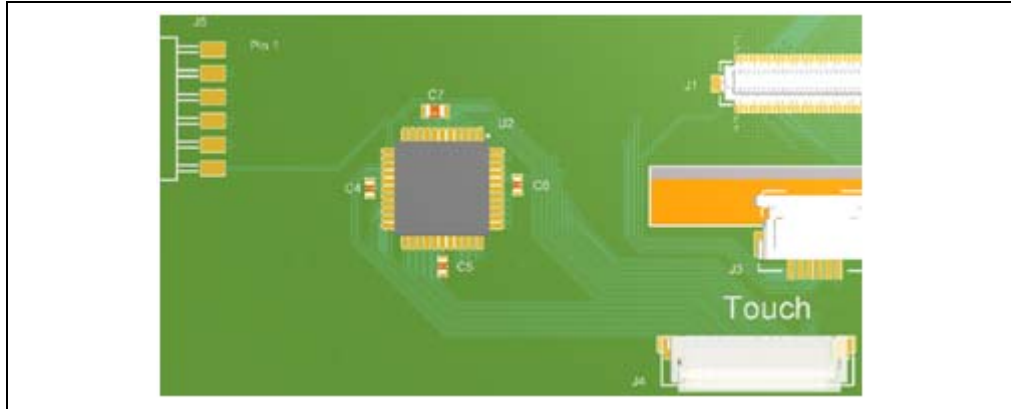


Multimedia Expansion Board II (MEB II) User's Guide

2.1.16 MTCH6301 Touch Controller

The MTCH6301 is a turn-key PCAP controller that allows easy integration of multi-touch and gestures to create a rich user interface. The MTCH6301 supports up to 13 receive (RX) and 18 transmit (TX) channels, and sensor sizes up to 4.3". The MTCH6301 communicates with the PIC32 microcontroller through a serial I²C bus and an interrupt, as shown in [Figure 2-16](#).

FIGURE 2-16: MTCH6301 TOUCH CONTROLLER



Appendix A. Board Layout and Schematics

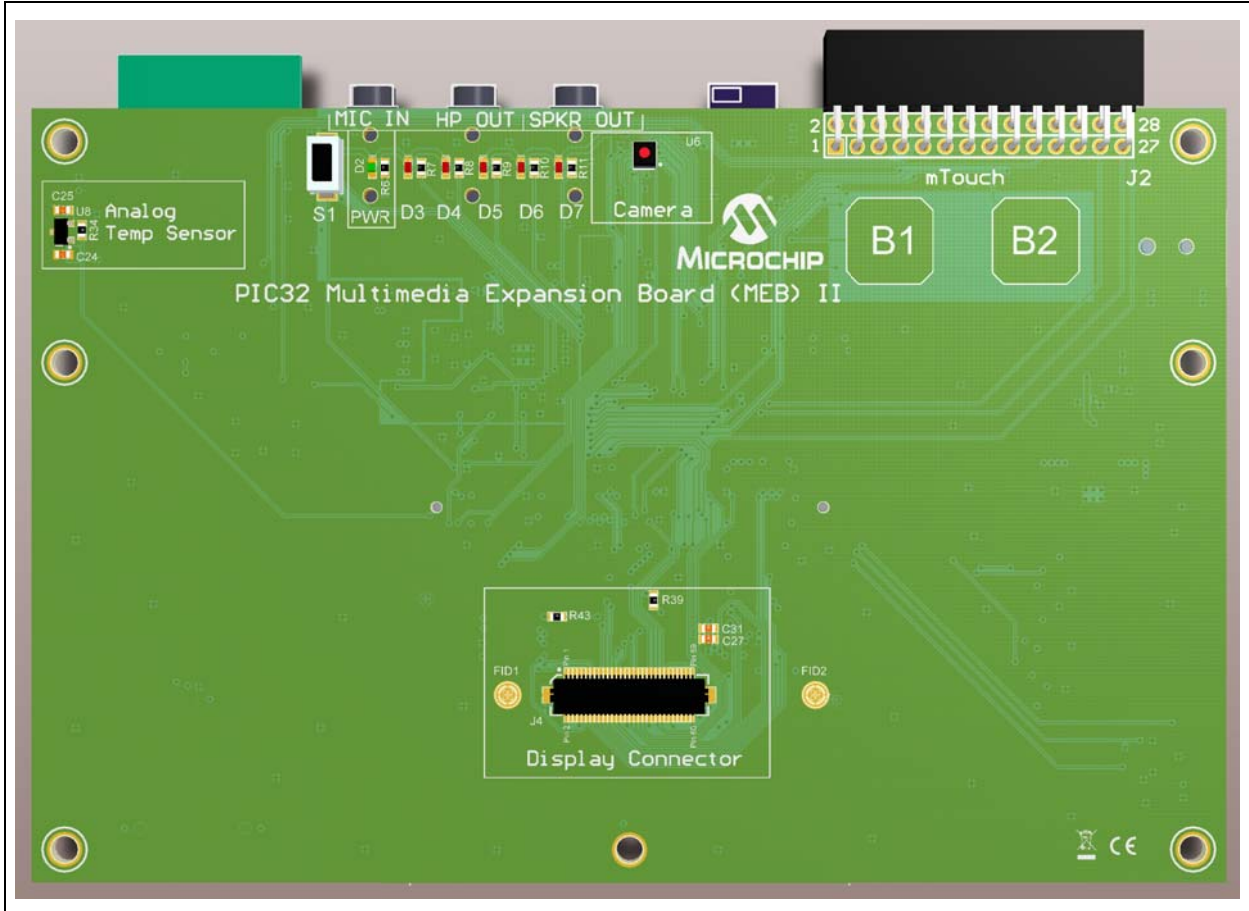
This appendix provides examples of the board layout and component schematics for the Multimedia Expansion Board II (MEB II) and includes the following figures:

- **Figure A-1: “MEB II Layout (Top Assembly)”**
- **Figure A-2: “MEB II Layout (Bottom Assembly)”**
- **Figure A-3: “4.3” WQVGA PCAP Touch Board Layout (Top Assembly)”**
- **Figure A-4: “4.3” WQVGA PCAP Touch Board Layout (bottom Assembly)”**
- **Figure A-5: “Power Supply”**
- **Figure A-6: “Starter Kit Connector”**
- **Figure A-7: “Display connector”**
- **Figure A-8: “EBI SRAM Memory”**
- **Figure A-9: “VGA Camera Sensor and 2.8V Regulator”**
- **Figure A-10: “24-bit Audio Codec”**
- **Figure A-11: “Bluetooth® Transceiver”**
- **Figure A-12: “802.11b/g Transceiver”**
- **Figure A-13: “Accelerometer”**
- **Figure A-14: “Temperature Sensor”**
- **Figure A-15: “microSD Card Slot”**
- **Figure A-16: “Touch Buttons”**
- **Figure A-17: “PICtail™ Connector”**
- **Figure A-18: “Push Button and User Controlled LEDs”**
- **Figure A-19: “Display Panel Connector and Backlight Circuit”**
- **Figure A-20: “Touch Controller”**

Multimedia Expansion Board II (MEB II) User's Guide

A.1 BOARD LAYOUT

FIGURE A-1: MEB II LAYOUT (TOP ASSEMBLY)



Board Layout and Schematics

FIGURE A-2: MEB II LAYOUT (BOTTOM ASSEMBLY)

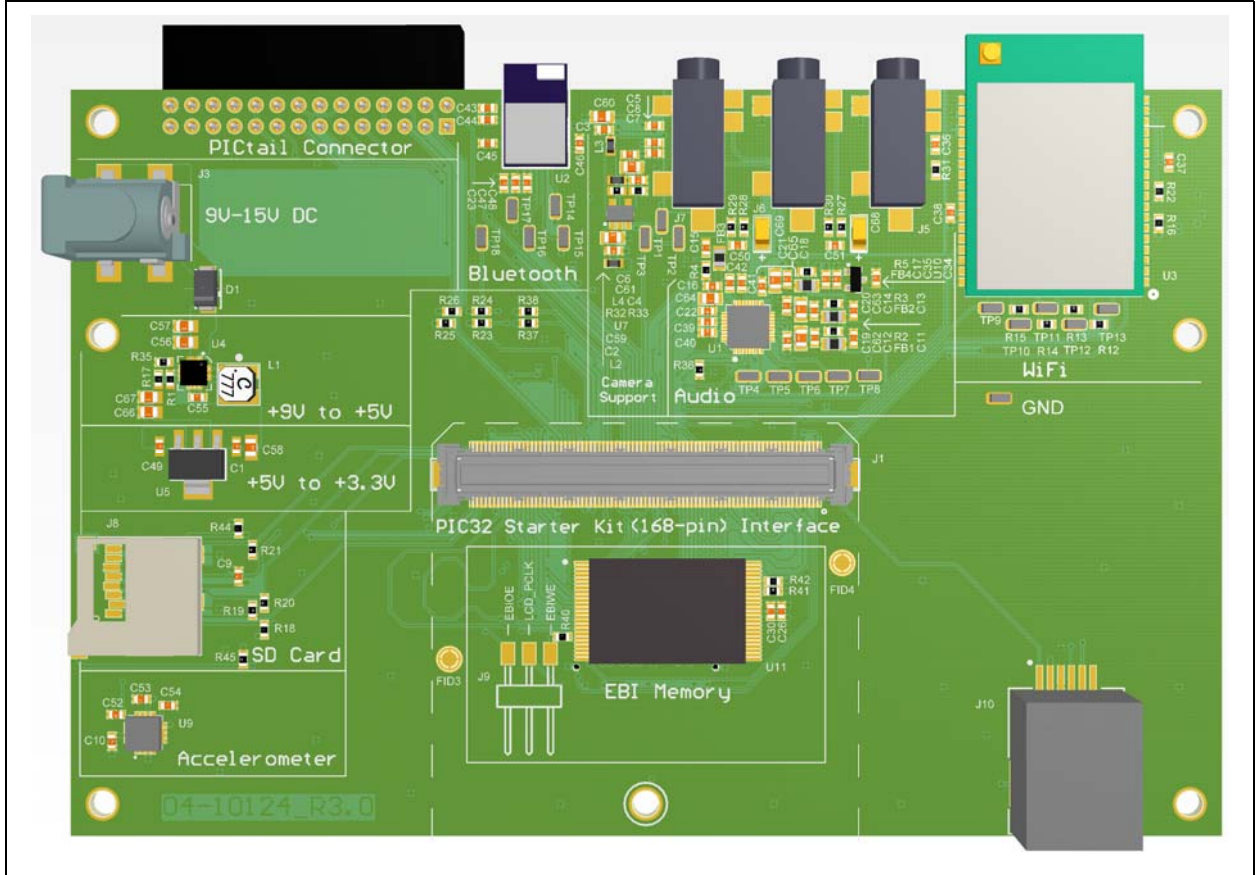
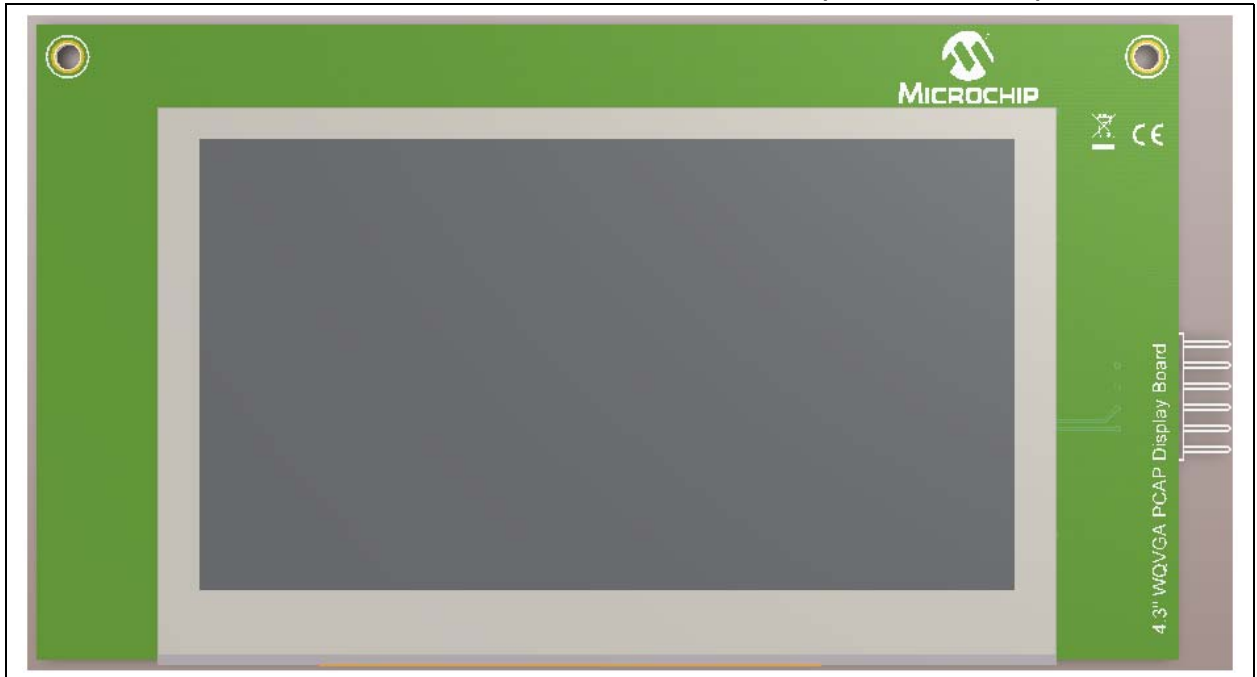
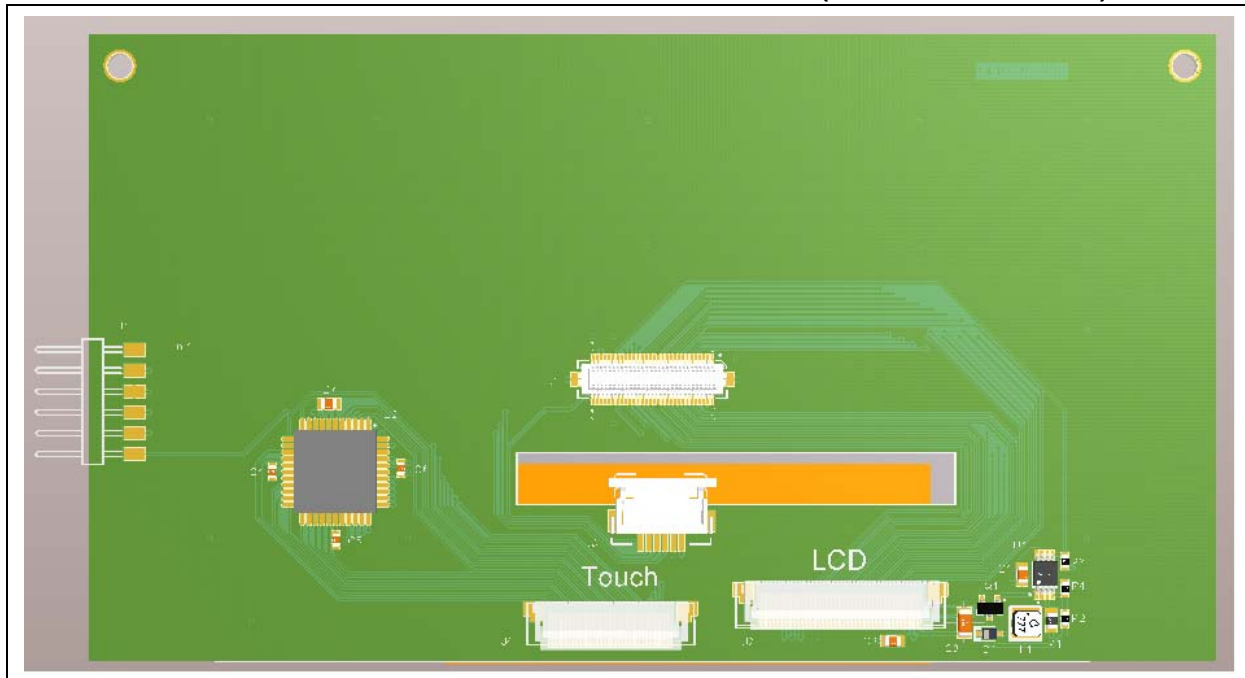


FIGURE A-3: 4.3" WQVGA PCAP TOUCH BOARD LAYOUT (TOP ASSEMBLY)



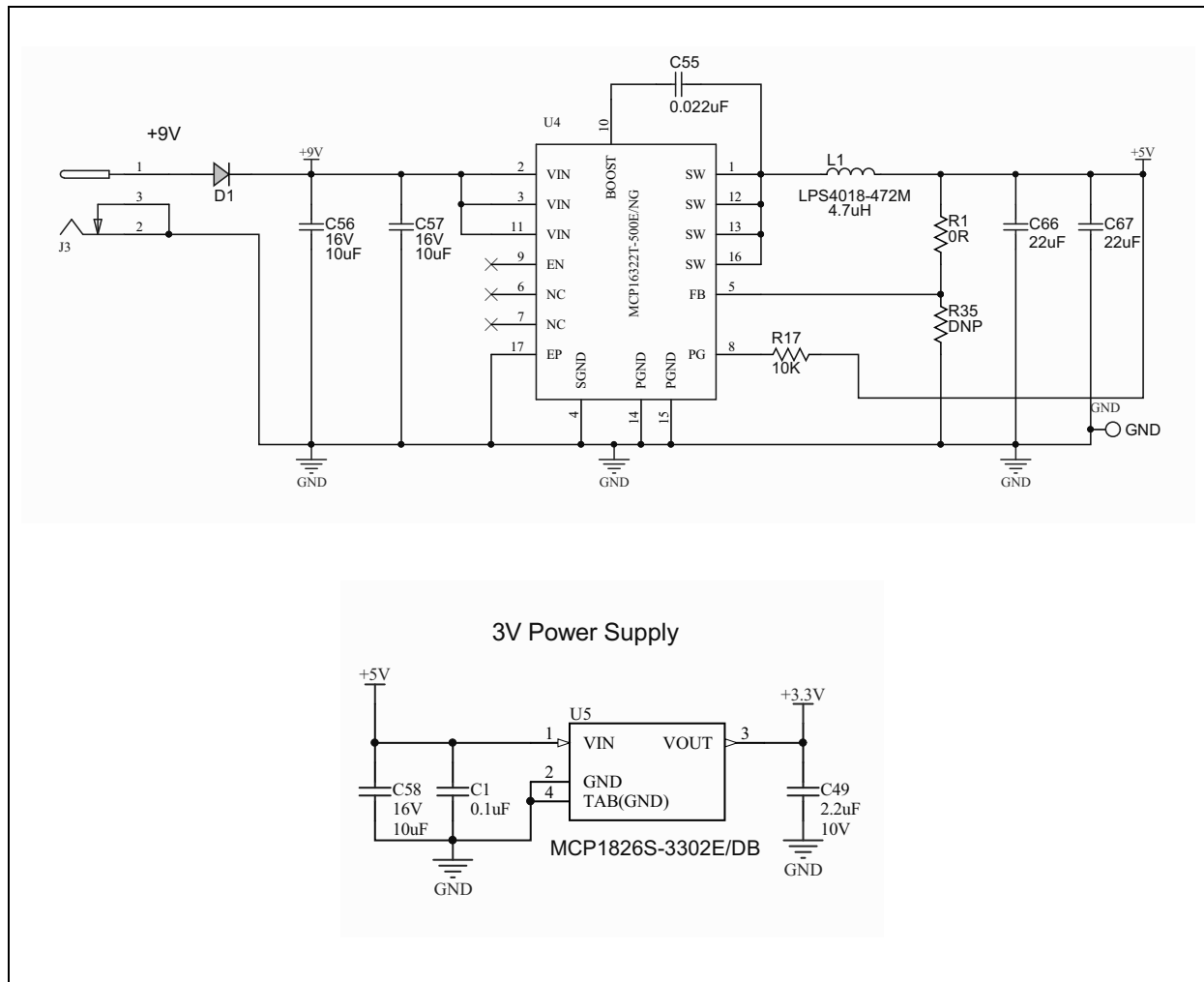
Multimedia Expansion Board II (MEB II) User's Guide

FIGURE A-4: 4.3" WQVGA PCAP TOUCH BOARD LAYOUT (BOTTOM ASSEMBLY)



A.2 SCHEMATICS

FIGURE A-5: POWER SUPPLY



Multimedia Expansion Board II (MEB II) User's Guide

FIGURE A-6: STARTER KIT CONNECTOR

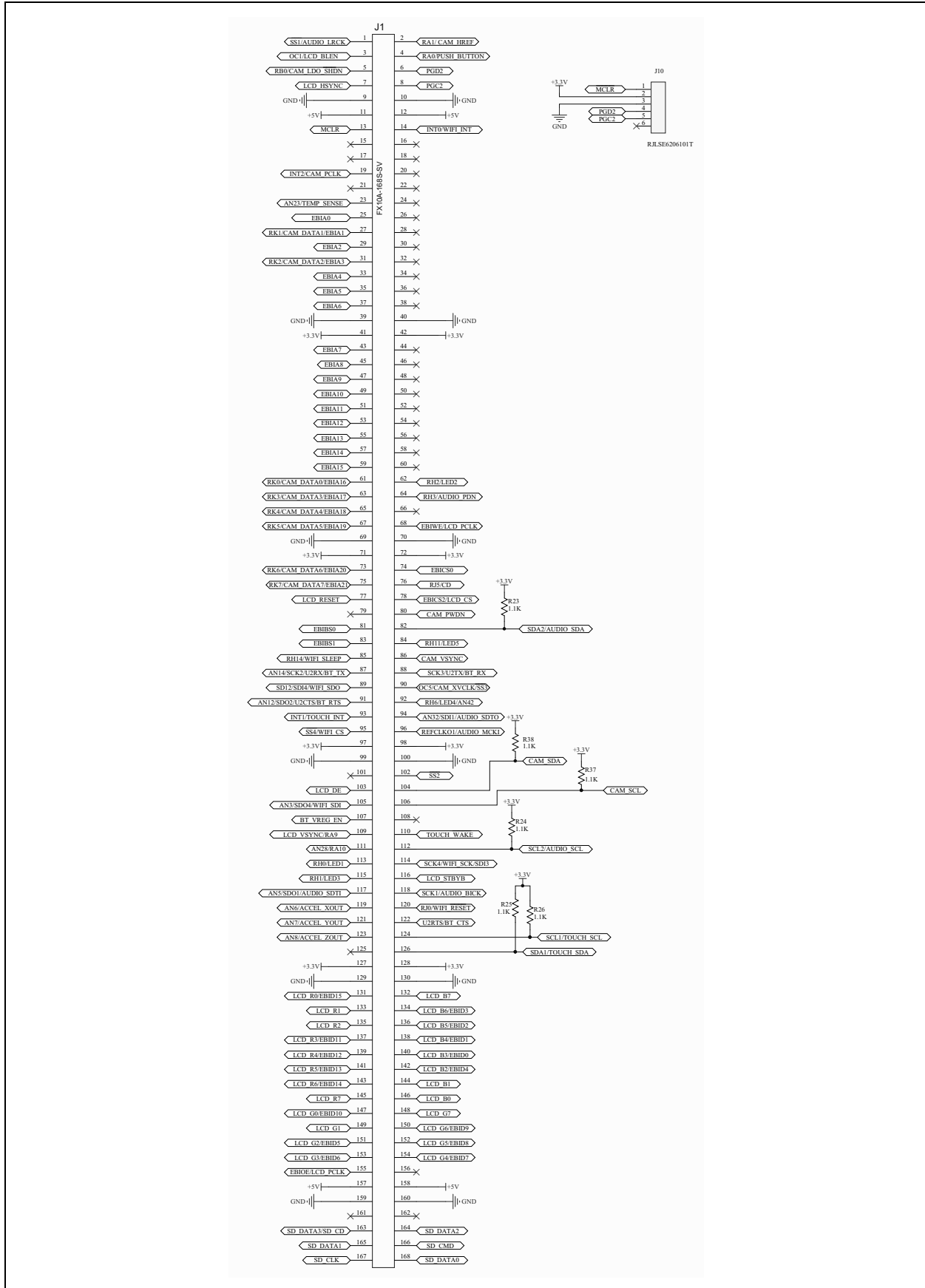
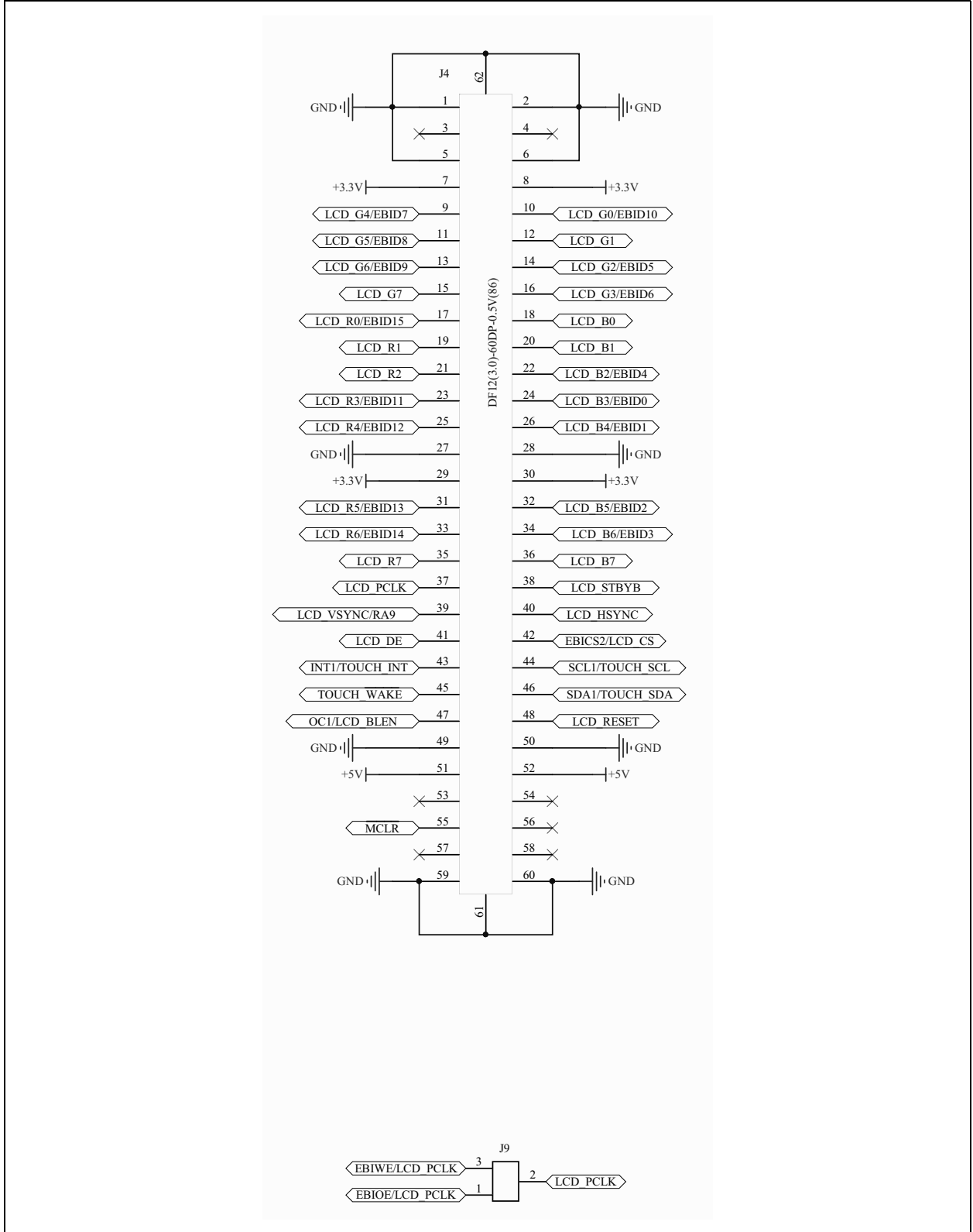


FIGURE A-7: DISPLAY CONNECTOR



Multimedia Expansion Board II (MEB II) User's Guide

FIGURE A-8: EBI SRAM MEMORY

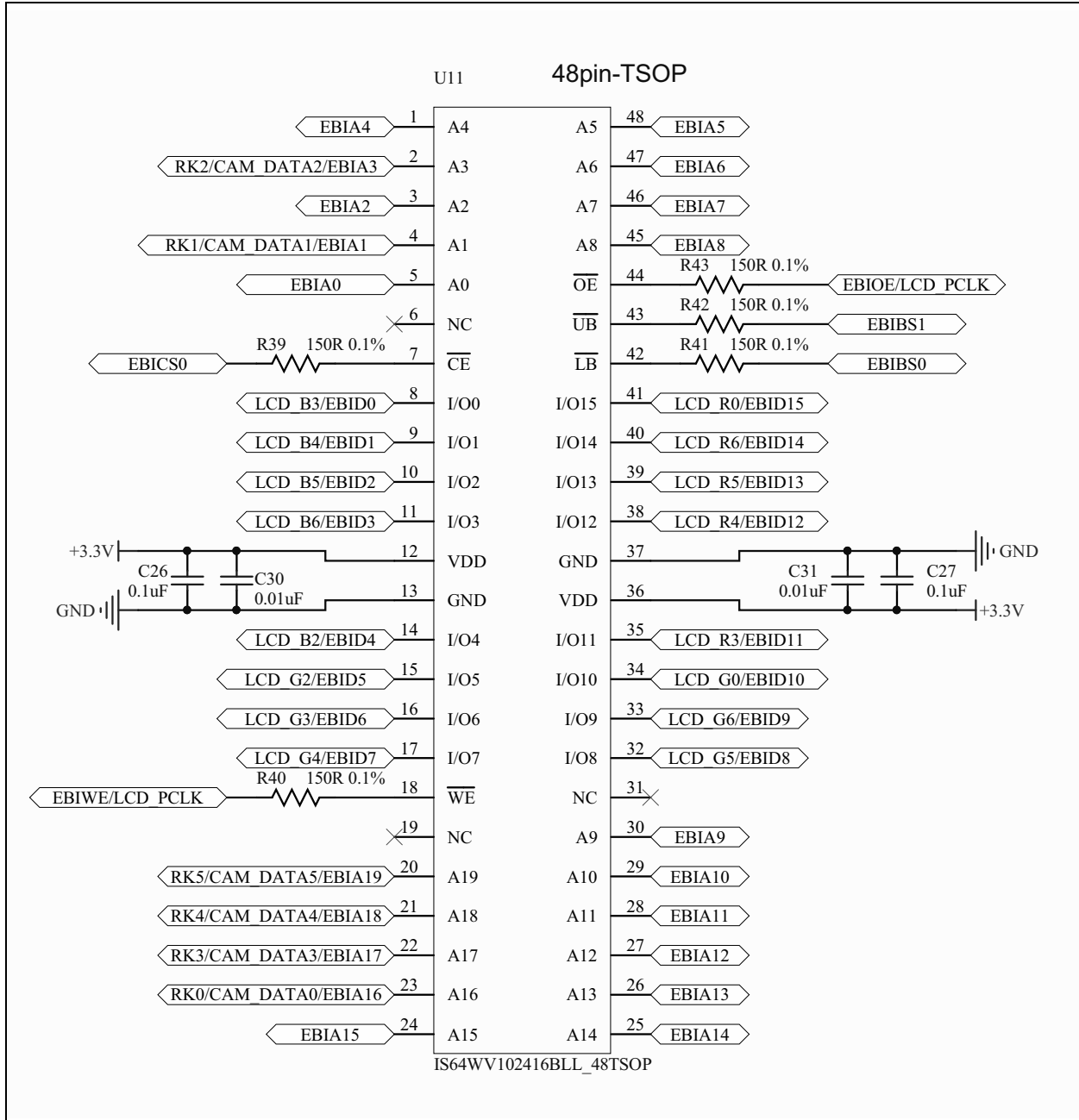
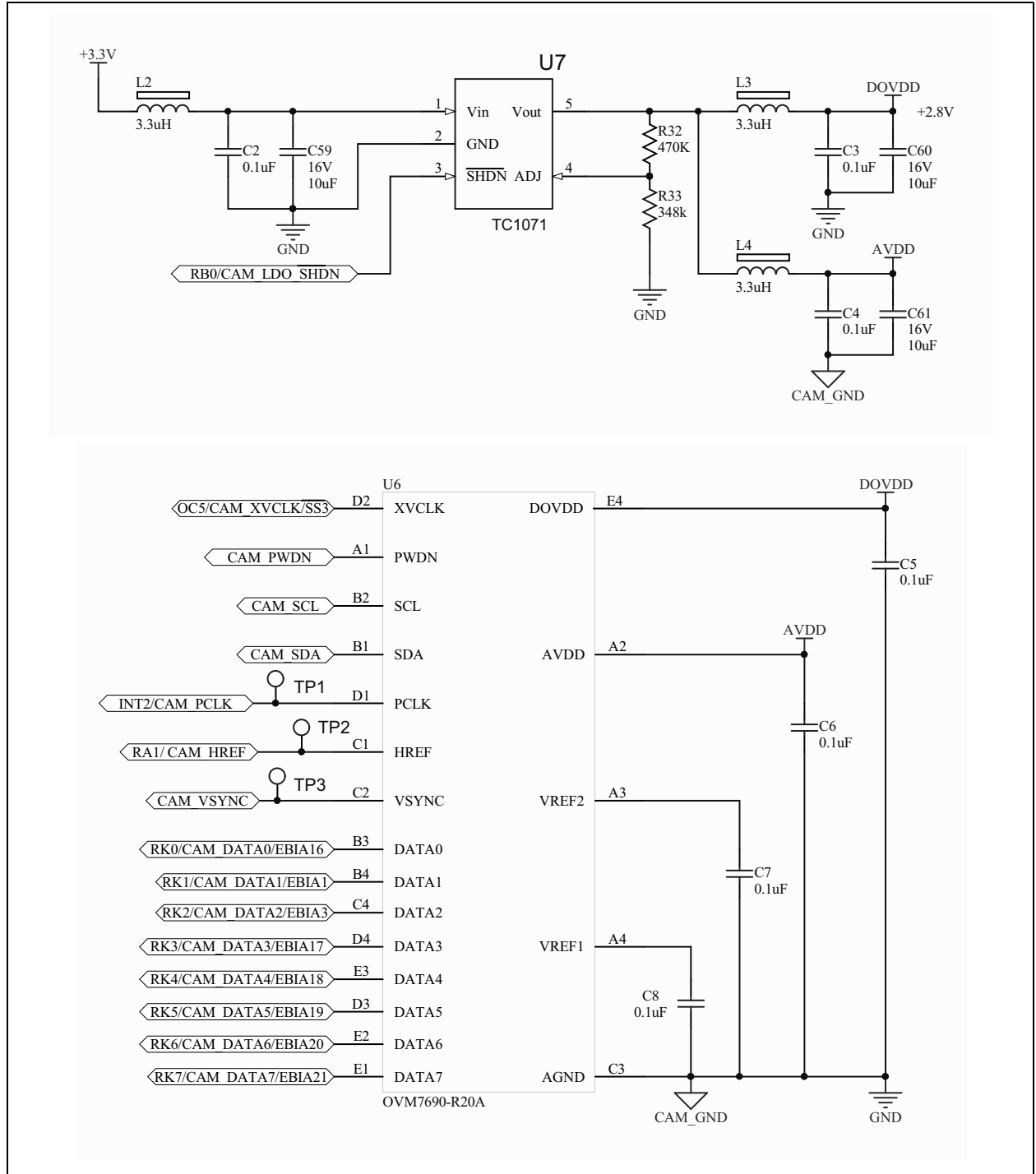
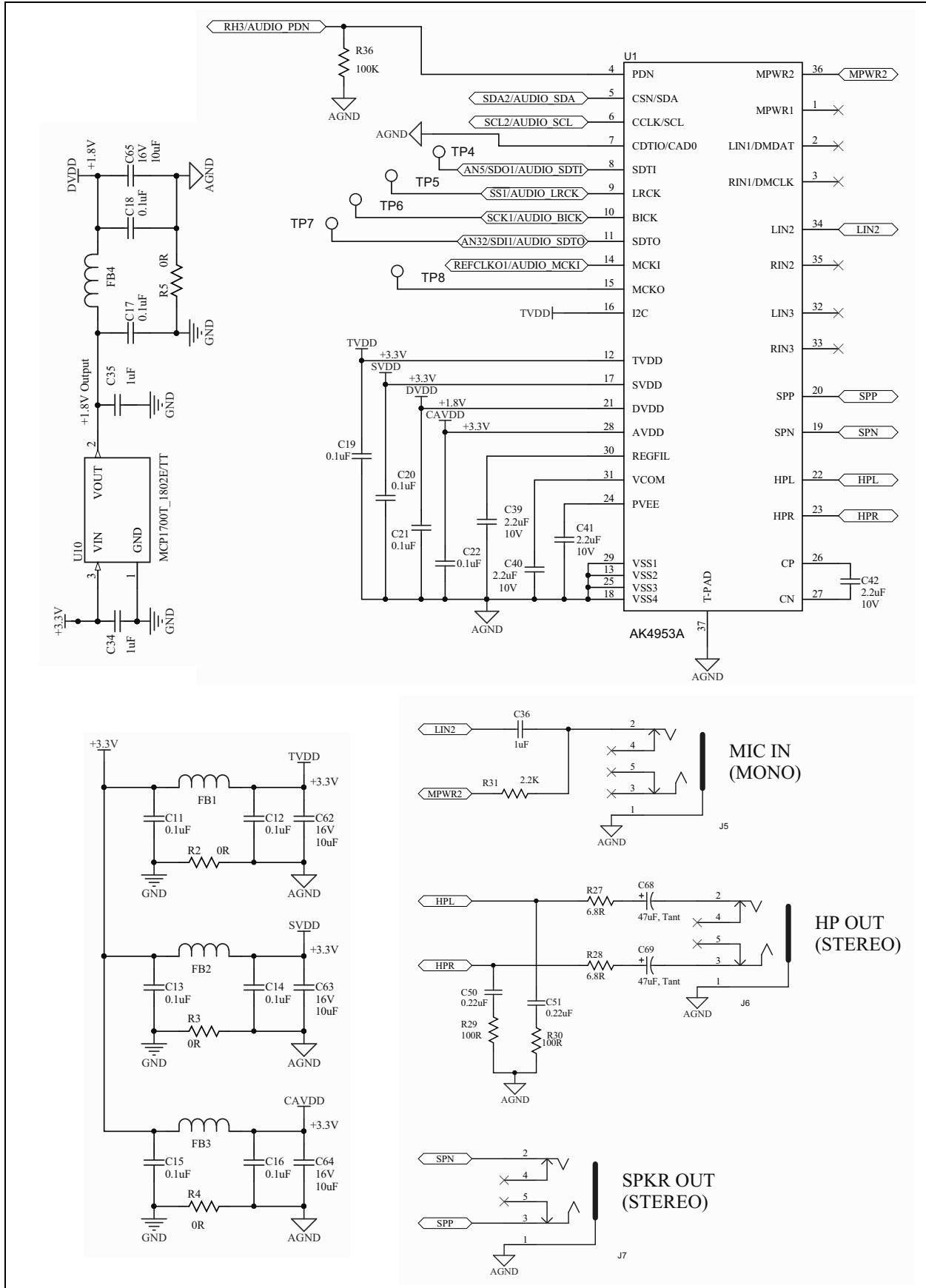


FIGURE A-9: VGA CAMERA SENSOR AND 2.8V REGULATOR



Multimedia Expansion Board II (MEB II) User's Guide

FIGURE A-10: 24-BIT AUDIO CODEC



Board Layout and Schematics

FIGURE A-11: BLUETOOTH® TRANSCEIVER

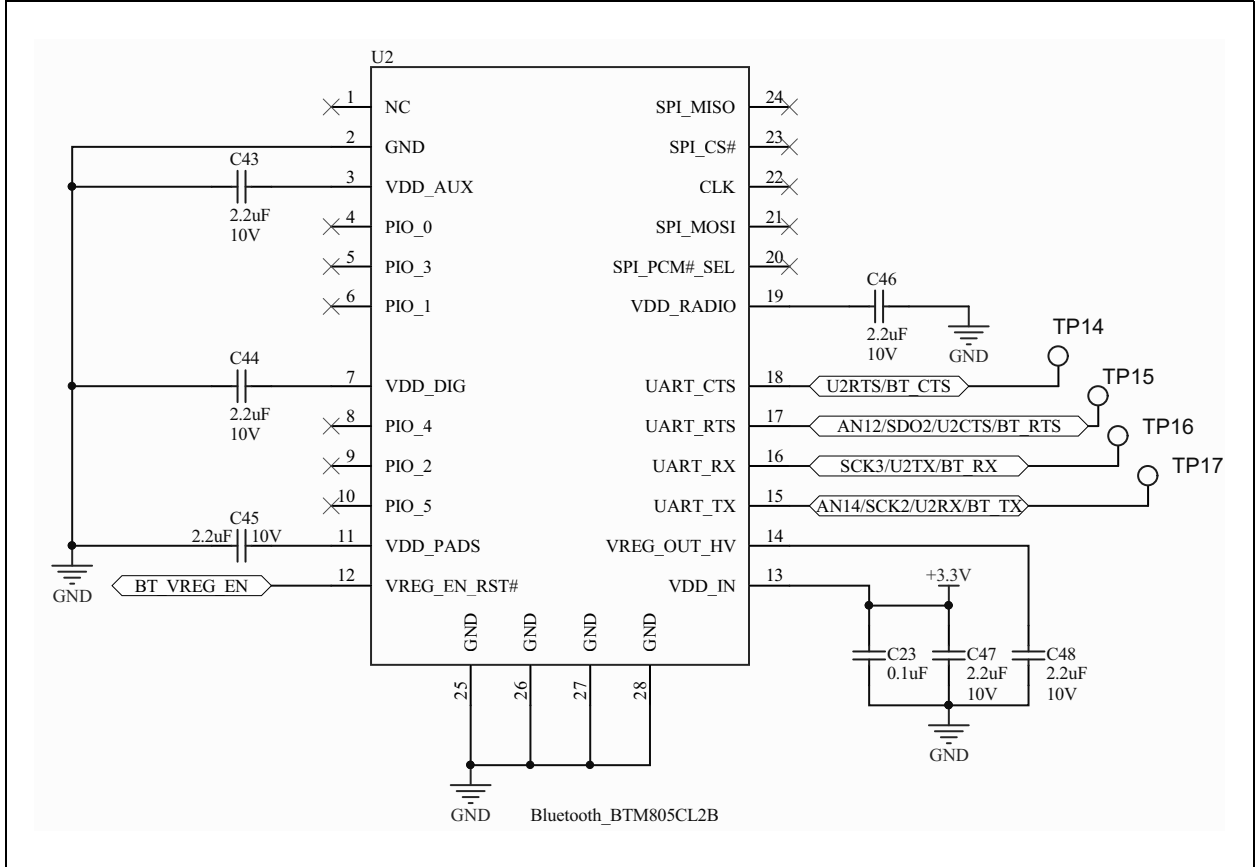
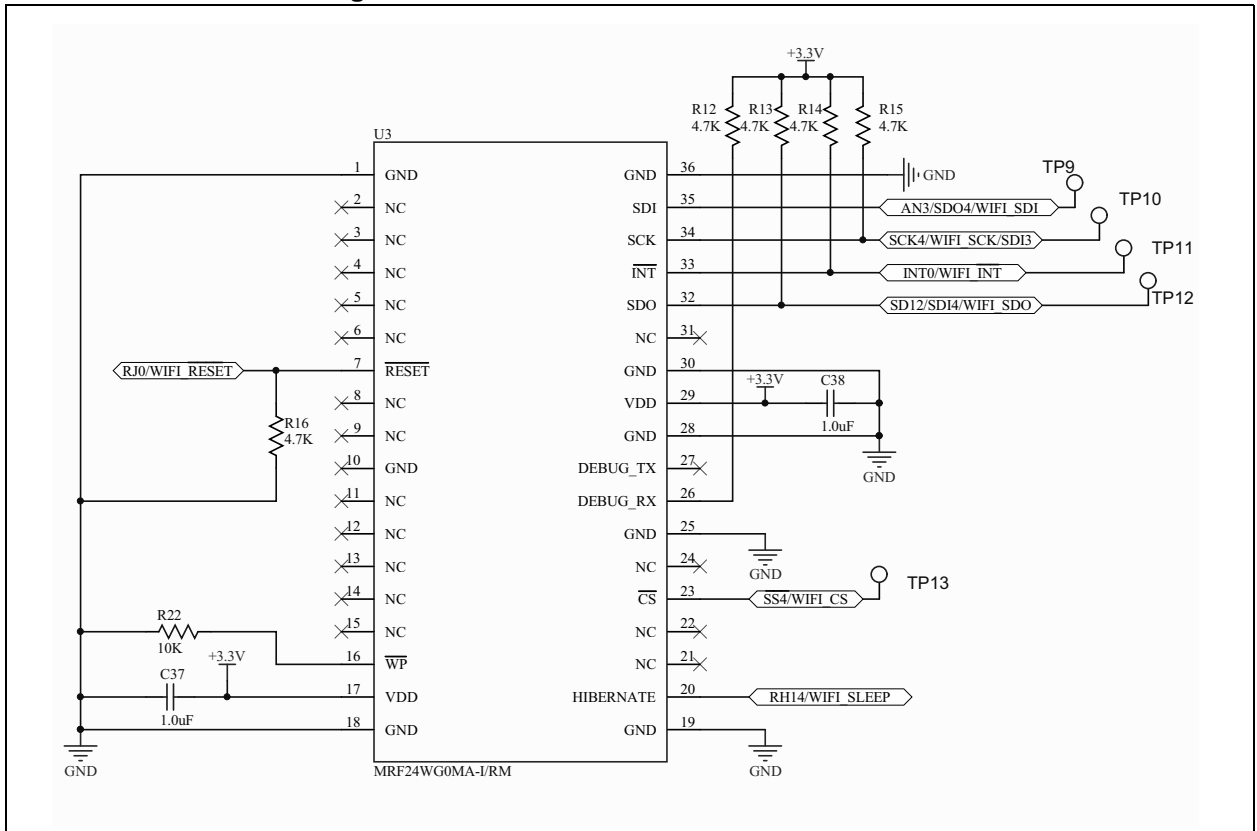


FIGURE A-12: 802.11b/g TRANSCEIVER



Multimedia Expansion Board II (MEB II) User's Guide

FIGURE A-13: ACCELEROMETER

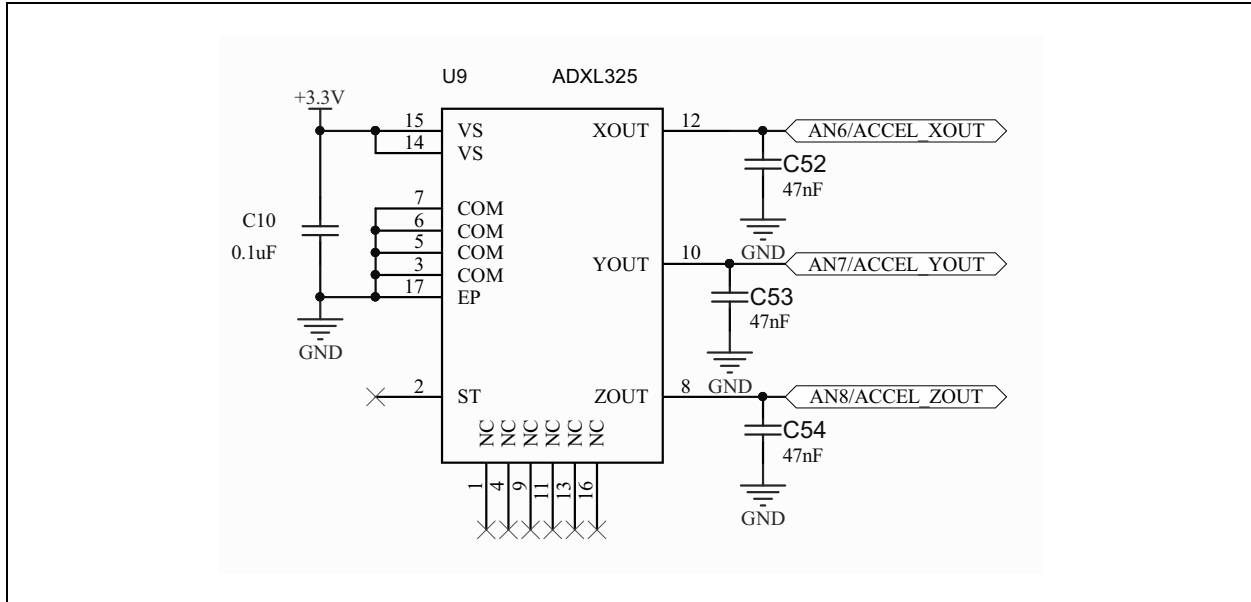


FIGURE A-14: TEMPERATURE SENSOR

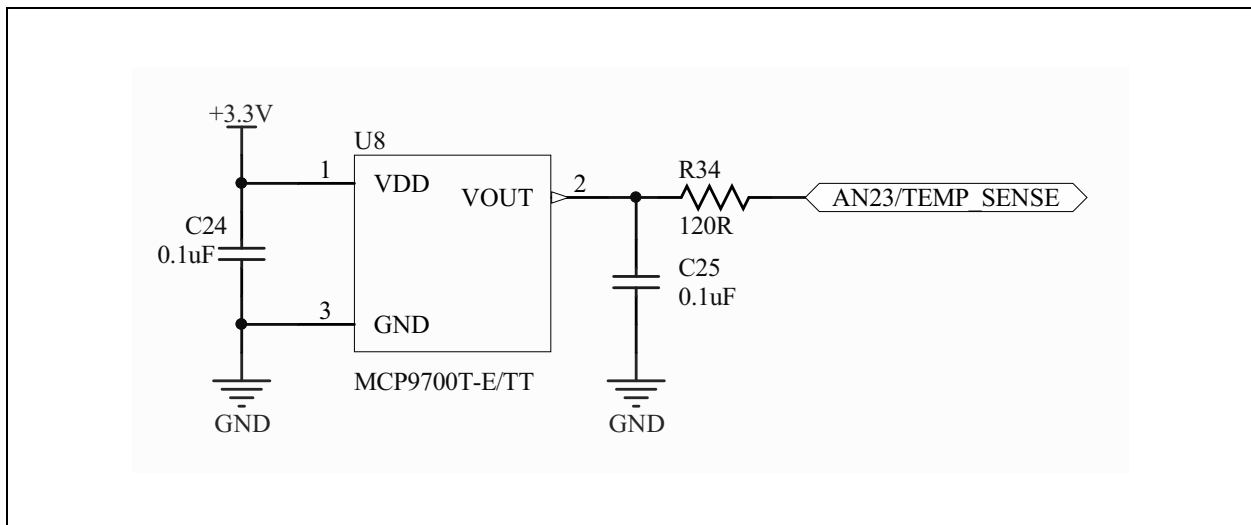


FIGURE A-15: microSD CARD SLOT

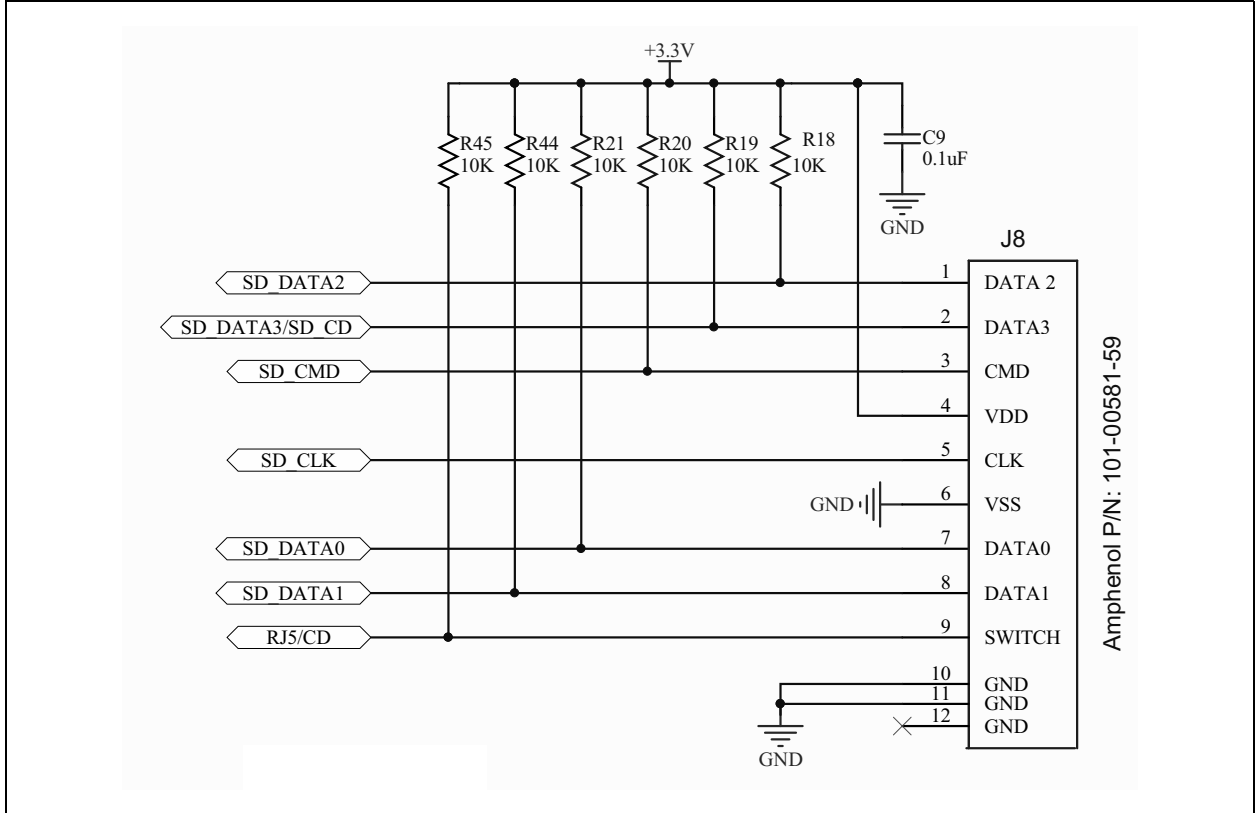
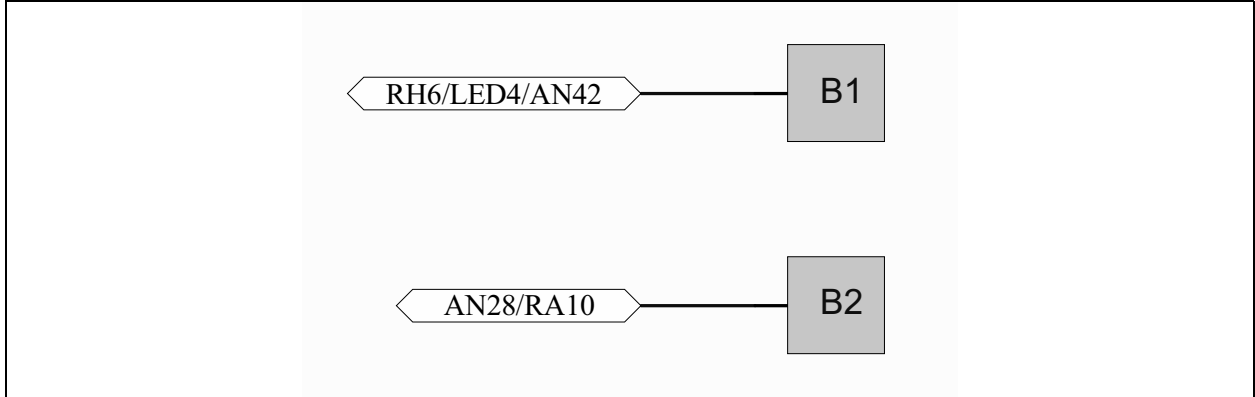


FIGURE A-16: TOUCH BUTTONS



Multimedia Expansion Board II (MEB II) User's Guide

FIGURE A-17: PICtail™ CONNECTOR

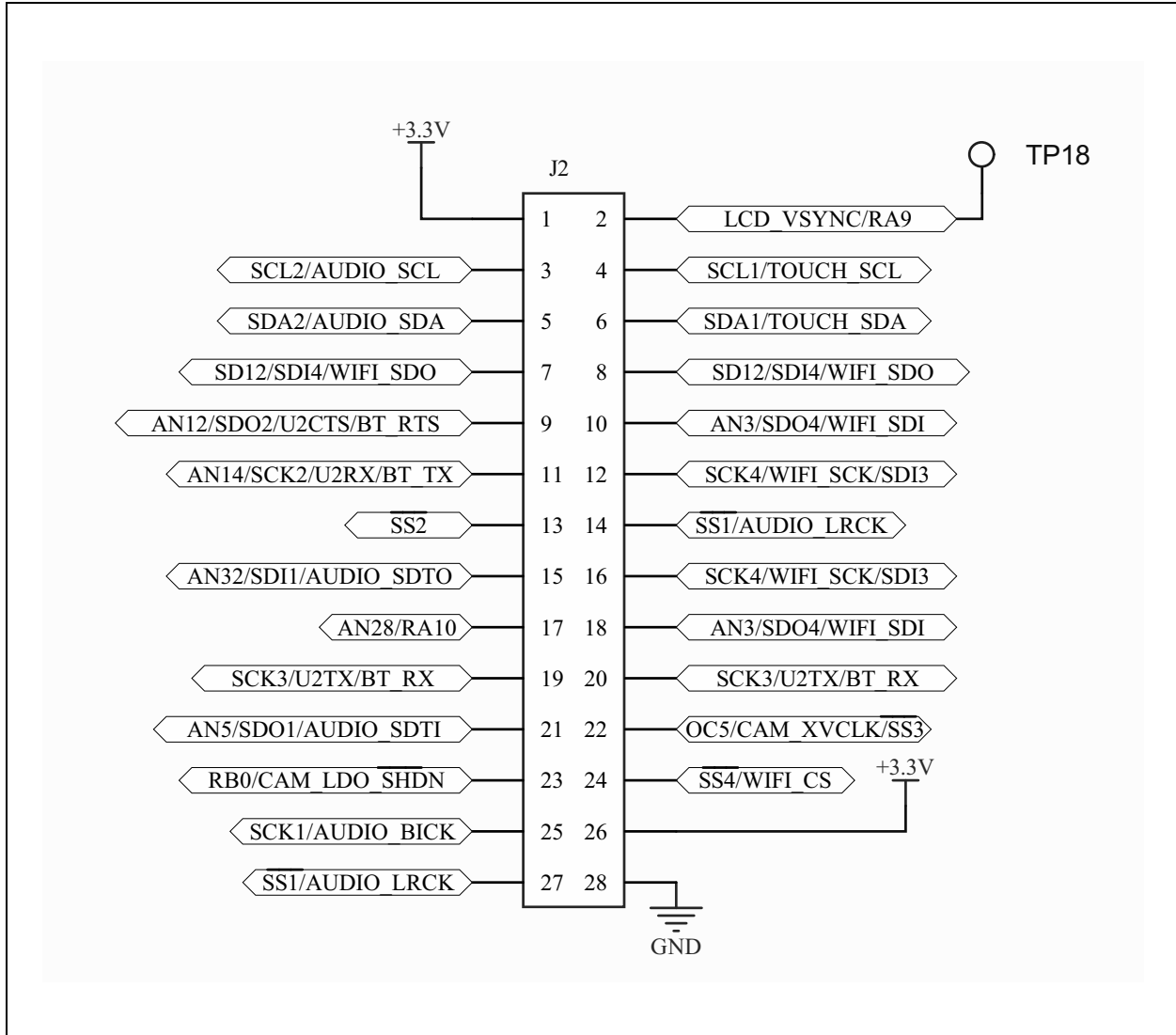
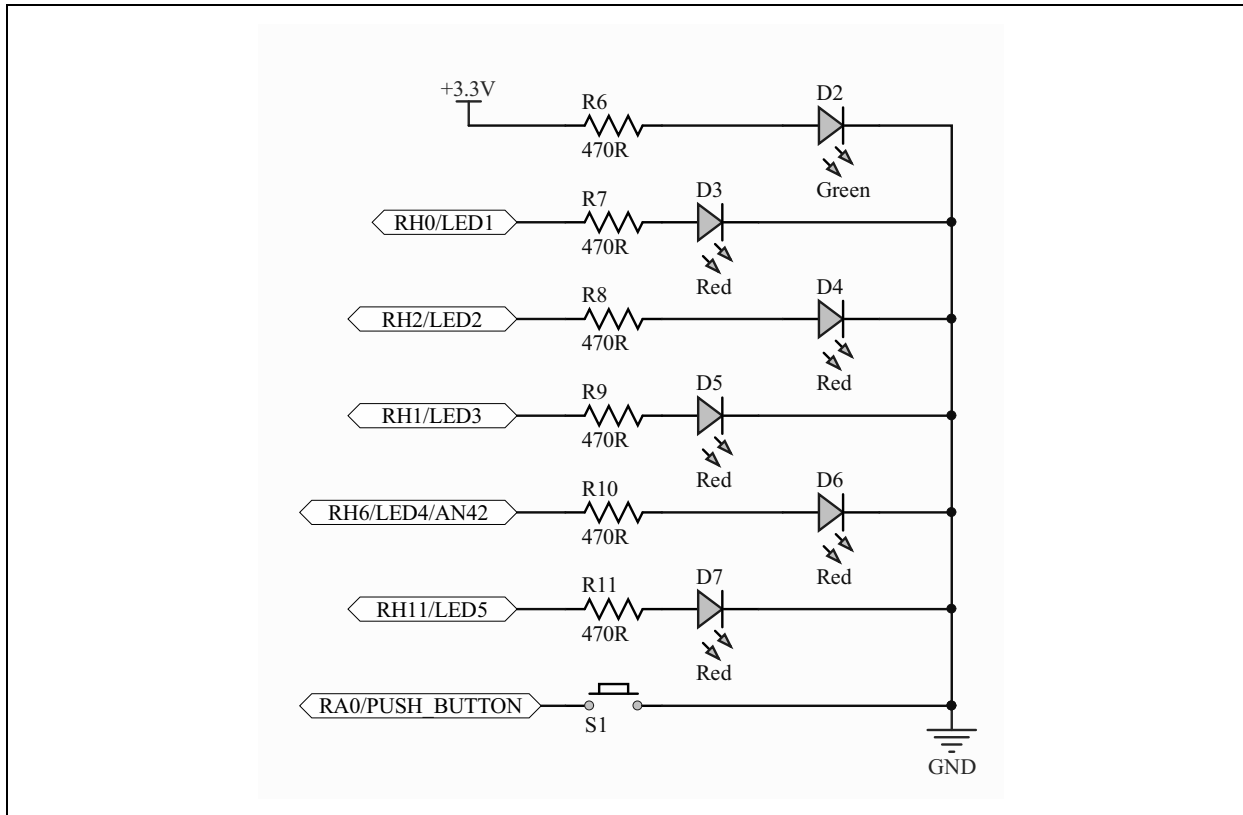
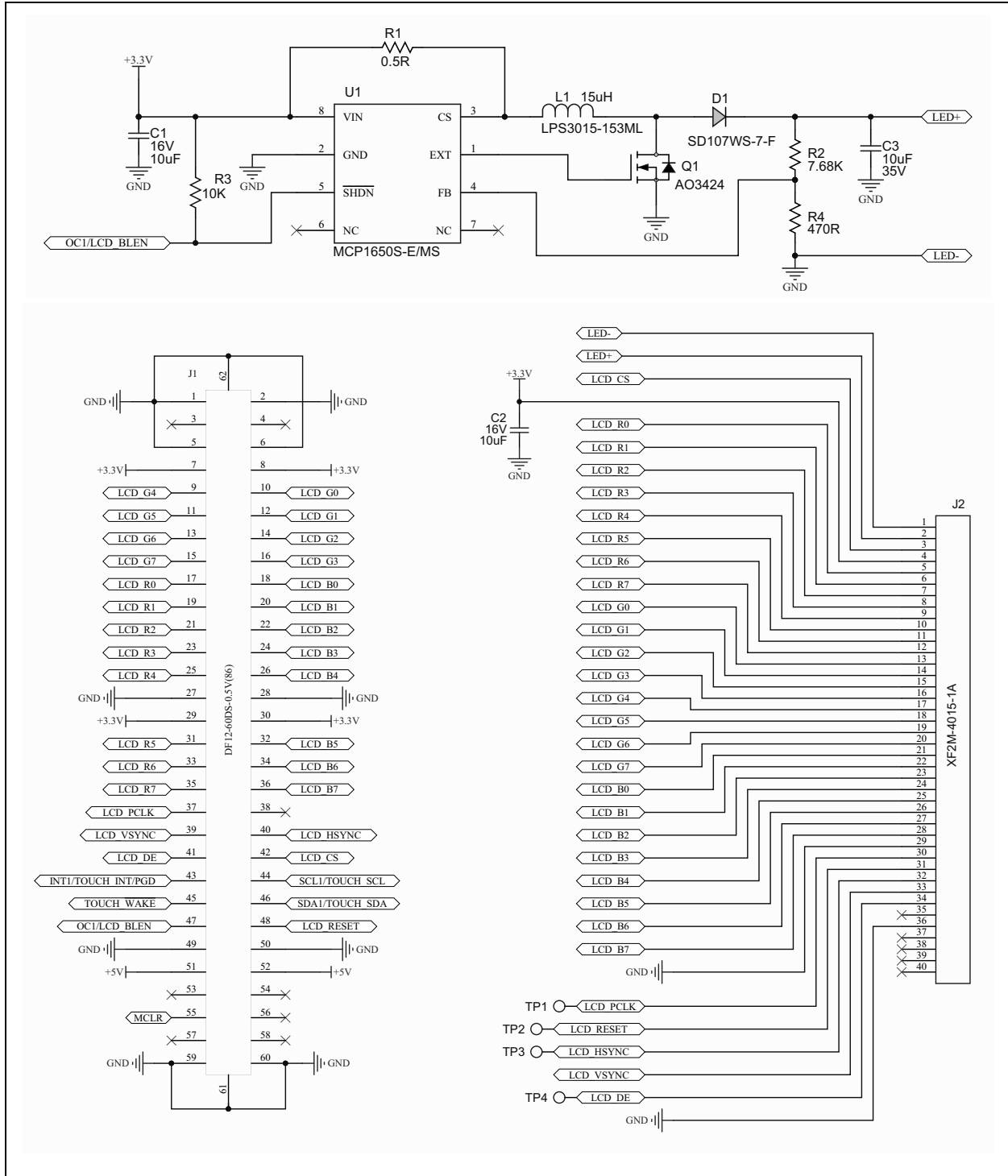


FIGURE A-18: PUSH BUTTON AND USER CONTROLLED LEDS



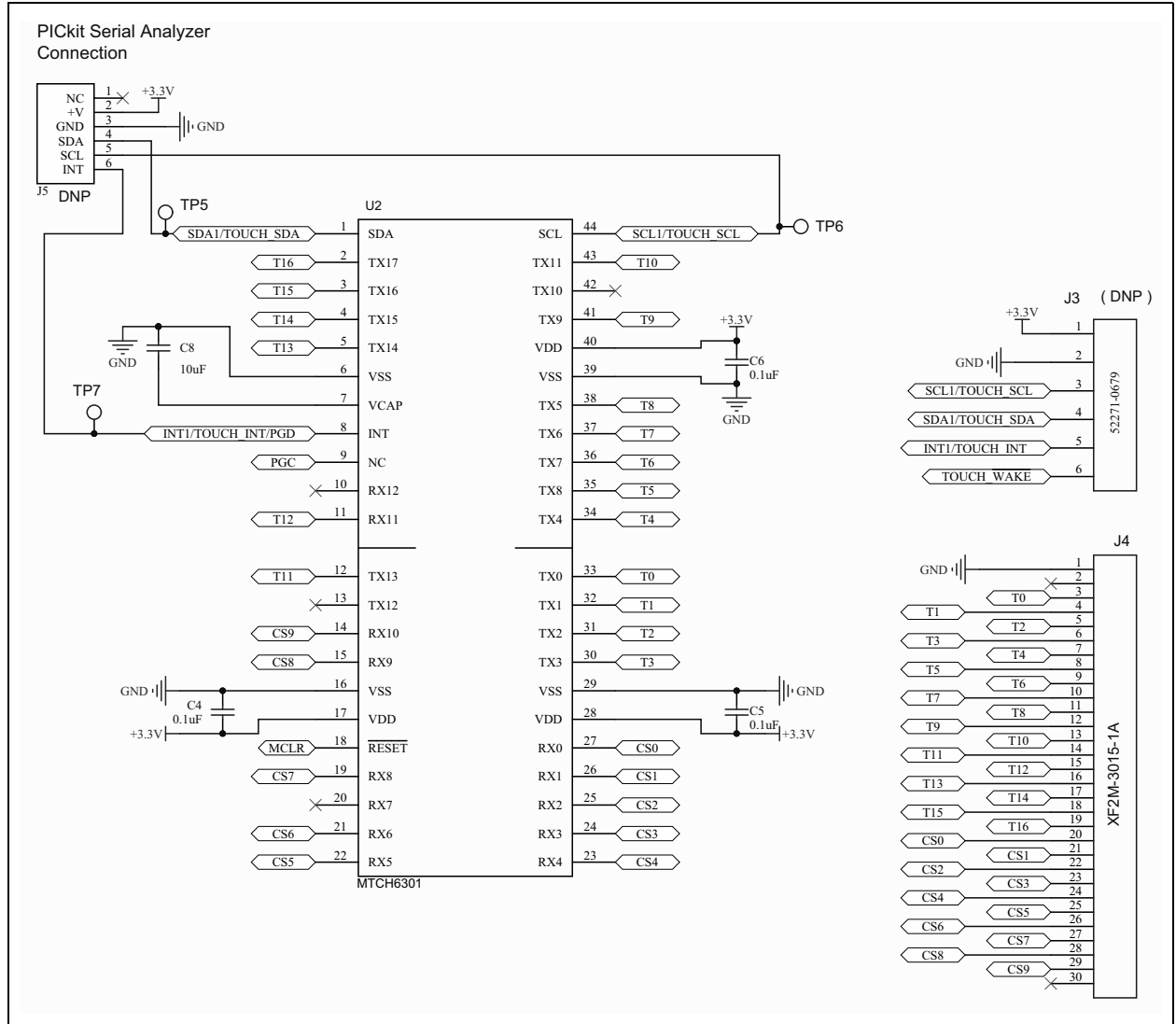
Multimedia Expansion Board II (MEB II) User's Guide

FIGURE A-19: DISPLAY PANEL CONNECTOR AND BACKLIGHT CIRCUIT



Board Layout and Schematics

FIGURE A-20: TOUCH CONTROLLER



Multimedia Expansion Board II (MEB II) User's Guide

NOTES:



MULTIMEDIA EXPANSION BOARD II (MEB II) USER'S GUIDE

Appendix B. Bill of Materials

TABLE B-1: MULTIMEDIA EXPANSION BOARD II (MEB II) BILL OF MATERIALS

Qty.	Reference	Description	Manufacturer	Part No.
27	C1, C2, C3, C4, C5, C6, C7, C8, C9, C10, C11, C12, C13, C14, C15, C16, C17, C18, C19, C20, C21, C22, C23, C24, C25, C26, C27	Cap, Ceramic, 0.1 μ F, 50V X7R	TDK Corporation	C1608X7R1H104M
2	C30, C31	Cap, Ceramic, 0.01 μ F 50V X7R	TDK Corporation	C1608X7R1H103M
5	C34, C35, C36, C37, C38	Cap, Ceramic, 1 μ F 16V X5R	TDK Corporation	C1608X5R1C105K
11	C39, C40, C41, C42, C43, C44, C45, C46, C47, C48, C49	Cap, Ceramic, 2.2 μ F 10V 20% X5R 0603	TDK Corporation	C1608X5R1A225M/0.80
2	C50, C51	Cap, Ceramic, 0.22 μ F 16V Y5V 0603	Murata Electronics North America	GRM188F51C224ZA01D
3	C52, C53, C54	Cap, Ceramic, 0.047 μ F 50V 10% X7R 0603	TDK Corporation	C1608X7R1H473K080AA
1	C55	Cap, Ceramic, 0.022 μ F 50V 20% X7R 0603	Murata Electronics North America	GRM188R71H223MA01D
10	C56, C57, C58, C59, C60, C61, C62, C63, C64, C65	Cap, Ceramic, 10 μ F 16V X5R	Taiyo Yuden	EMK212BJ106MG-T
2	C66, C67	Cap, Ceramic, 22 μ F 16V 10% X5R 0805	TDK Corporation	C2012X5R1C226K
2	C68, C69	Cap, Tantalum, 47 μ F 6.3V 20% 1206	Kemet	T494A476M006AT
5	R1, R2, R3, R4, R5	Resistor, 0.0 Ohm 1/10W 0603 SMD	Rohm Semiconductor	MCR03EZPJ000
6	R6, R7, R8, R9, R10, R11	Resistor, 470 Ohm 1/10W 1% 0603 SMD	Rohm Semiconductor	MCR03EZPFX4700
5	R12, R13, R14, R15, R16	Resistor, 4.70K Ohm 1/10W 1% 0603 SMD	Panasonic - ECG	ERJ-3EKF4701V
8	R17, R18, R19, R20, R21, R22, R44, R45	Resistor, 10K Ohm 1/10W 1% 0603 SMD	Stackpole Electronics Inc.	RMCF0603FT10K0
6	R23, R24, R25, R26, R37, R38	Resistor, 1.10K Ohm 1/10W 1% 0603 SMD	Panasonic Electronic Components	ERJ-3EKF1101V
2	R27, R28	Resistor, TF 6.8 Ohm 1% 0.1W 0603	Stackpole Electronics Inc.	RMCF0603FT6R80
2	R29, R30	Resistor, 100 Ohm 1/10W 1%	Yageo	RC0603FR-07100RL
1	R31	Resistor, 2.20K Ohm 1/10W 1% 0603 SMD	Rohm Semiconductor	MCR03EZPFX2201
1	R32	Resistor, 470K 1/10W 1%	Panasonic - ECG	ERJ-3EKF4703V
1	R33	Resistor, TF 348K Ohm 1% 0.1W 0603	Stackpole Electronics Inc.	RMCF0603FT348K
1	R34	Resistor, 120 Ohm, 1/10W 1%	Stackpole Electronics Inc.	RMCF0603FT120R
1	R36	Resistor, 100K Ohm 1/10W 1% 0603 SMD	Stackpole Electronics Inc.	RMCF0603FT100K

Multimedia Expansion Board II (MEB II) User's Guide

TABLE B-1: MULTIMEDIA EXPANSION BOARD II (MEB II) BILL OF MATERIALS (CONTINUED)

Qty.	Reference	Description	Manufacturer	Part No.
5	R39, R40, R41, R42, R43	Resistor, 150 OHM 1/10W 1% 0603 SMD	TE	3-1676481-5
1	D1	DIODE SCHOTTKY 1A 100V SMA	Micro Commercial Co.	SS110-TP
1	D2	LED, SMD, GRN, 0603 package	Kingbright Corp.	APT1608SGC
5	D3, D4, D5, D6, D7	LED, SMD, RED, 0603 package	Kingbright Corp.	APT1608EC
1	J1	Hirose FX10_ 168-pin Receptacle/ESK MH	Hirose Electric Co. Ltd.	FX10A-168S-SV
1	J2	Connector, FEMALE 28 POS DL .1" R/A TIN	Sullins Connector Solutions	PPTC142LJBN-RC
1	J3	Connector, POWER JACK 2.5 X 5.5 MM HI CUR	CUI Inc.	PJ-002BH-SMT
1	J4	Connector, HDR 60 POS 0.5 MM SMD GOLD	Hirose Electric Co. Ltd.	DF12(3.0)-60DP-0.5V(86)
3	J5, J6, J7	Connector, JACK STEREO 5 POS 3.5 MM SMD	Switchcraft Inc.	35RASMT4BHNRX
1	J8	Connector, Mini microSD 8-PIN PCB GOLD	Amphenol	101-00581-59
1	J9	Connector, HEADER 3 POS .100 RT/A SMD	Sullins Connector Solutions	GBC03SBSN-M89
1	J10	Connector, MOD JACK R/A 6P6C SMD	Amphenol	RJLSE6202101T
1	L1	4.7 μ H 20%	CoilCraft	LPS4018-472M
3	L2, L3, L4	INDUCTOR MULTILAYER 3300 NH 0603	Abrakon Corporation	AIML-0603-3R3K-T
4	FB1, FB2, FB3, FB4	FERRITE CHIP 600 OHM 500 MA 0805	TDK Corporation	MMZ2012Y601B
1	U1	CODEC (24-bit Stereo)	AKM	AK4953A
1	U2	Dual-mode Bluetooth HCI	Flaircomm	FLC_BT M805
1	U3	TX RX RF 2.4 GHz PCB ANT 802.11b	Microchip Technology Inc.	MRF24WG0MA-I/RM
1	U4	IC REG BUCK SYNC 5V 2A 16-VQFN	Microchip Technology Inc.	MCP16322T-500E/NG
1	U5	IC LDO REG 1000 mA 3.3V SOT223-3	Microchip Technology Inc.	MCP1826S-3302E/DB
1	U6	SENSOR CAMERA CMOS 20 CAMERACUBE	OmniVision Technologies Inc	OVM7690-R20A
1	U7	IC REG LDO ADJ 50 mA SOT23A-5	Microchip Technology Inc.	TC1071VCT713
1	U8	LP Linear Active Thermistor SOT-23-3	Microchip Technology Inc.	MCP9700T-E/TT
1	U9	Accelerometer ADXL325	Analog Devices Inc	ADXL325BCPZ-RL7
1	U10	LDO Voltage Regulator 1.8V 250 mA	Microchip Technology Inc.	MCP1700T-1802E/TT
1	U11	SRAM 16M (1M x 16) 10 ns Async SRAM	Integrated Silicon Solution Inc.	IS61WV102416BLL-10TLI
1	S1	SWITCH TACTILE SPST-NO 0.05A 12V	C&K Components	PTS635SK25SMTR LFS
1	GND	TP-115 * 50_SMT	Keystone Electronics	5015

TABLE B-2: DISPLAY BOARD BILL OF MATERIALS

Qty.	Reference	Description	Manufacturer	Part No.
1	4.3" Display	4.3" Display w/ TP	AMTouch USA	P3003-02-1-01 Touch Panel/LCD assembly
3	C1, C2, C7	Cap, Ceramic, 10 μ F 16V X5R	Taiyo Yuden	EMK212BJ106MG-T
1	C3	Cap, Ceramic, 10 μ F 35V 10% X5R 1206	Taiyo Yuden	GMK316BJ106KL-T
3	C4, C5, C6	Cap, Ceramic, .10 μ F 50V X7R 0603	TDK Corporation	C1608X7R1H104M
1	D1	Diode, Schottky, 30V 100 mA SOD323	Diodes Inc.	SD107WS-7-F
1	J1	Connector, RCPT 60 POS 0.5 mm SMD GOLD	Hirose Electric Co. Ltd.	DF12(30)-60DS-0.5V(86)
1	J2	Connector, FPC 40 POS 0.5 mm PITCH SMD	Omron Electronics Inc., EMC Div	XF2M-4015-1A
1	J4	Connector, FPC 30 POS 0.5 mm PITCH SMD	Omron Electronics Inc., EMC Div	XF2M-3015-1A
1	L1	15 μ H \pm 20%	CoilCraft	LPS3015-153ML
1	Q1	MOSFET N-CH 30V 2A SOT23	Alpha & Omega Semiconductor Inc.	AO3424
1	R1	Resistor, .50 Ohm 1/3W 1% 0805 SMD	Susumu	RL1220S-R50-F
1	R2	Resistor, 7.68K Ohm 1/10W 1% 0603 SMD	Panasonic - ECG	ERJ-3EKF7681V
1	R3	Resistor, 10K Ohm 1/10W 1% 0603 SMD	Stackpole Electronics Inc.	RMCF0603FT10K0
1	R4	Resistor, 470 Ohm 1/10W 1% 0603 SMD	Rohm Semiconductor	MCR03EZPFX4700
1	U1	MCP1650-E/MS_BOOST	Microchip Technology Inc.	MCP1650S-E/MS
1	U2	MTCH6301	Microchip Technology Inc.	MTCH6301-I/PT
1	J3	Connector, FFC 6 POS 1 mm R/A ZIF SMD	Molex Connector Corporation	52271-0679

NOTES:



MICROCHIP

Worldwide Sales and Service

AMERICAS

Corporate Office
2355 West Chandler Blvd.
Chandler, AZ 85224-6199
Tel: 480-792-7200
Fax: 480-792-7277
Technical Support:
[http://www.microchip.com/
support](http://www.microchip.com/support)
Web Address:
www.microchip.com

Atlanta
Duluth, GA
Tel: 678-957-9614
Fax: 678-957-1455

Austin, TX
Tel: 512-257-3370

Boston
Westborough, MA
Tel: 774-760-0087
Fax: 774-760-0088

Chicago
Itasca, IL
Tel: 630-285-0071
Fax: 630-285-0075

Cleveland
Independence, OH
Tel: 216-447-0464
Fax: 216-447-0643

Dallas
Addison, TX
Tel: 972-818-7423
Fax: 972-818-2924

Detroit
Novi, MI
Tel: 248-848-4000

Houston, TX
Tel: 281-894-5983

Indianapolis
Noblesville, IN
Tel: 317-773-8323
Fax: 317-773-5453

Los Angeles
Mission Viejo, CA
Tel: 949-462-9523
Fax: 949-462-9608

New York, NY
Tel: 631-435-6000

San Jose, CA
Tel: 408-735-9110

Canada - Toronto
Tel: 905-673-0699
Fax: 905-673-6509

ASIA/PACIFIC

Asia Pacific Office
Suites 3707-14, 37th Floor
Tower 6, The Gateway
Harbour City, Kowloon
Hong Kong
Tel: 852-2401-1200
Fax: 852-2401-3431

Australia - Sydney
Tel: 61-2-9868-6733
Fax: 61-2-9868-6755

China - Beijing
Tel: 86-10-8569-7000
Fax: 86-10-8528-2104

China - Chengdu
Tel: 86-28-8665-5511
Fax: 86-28-8665-7889

China - Chongqing
Tel: 86-23-8980-9588
Fax: 86-23-8980-9500

China - Hangzhou
Tel: 86-571-2819-3187
Fax: 86-571-2819-3189

China - Hong Kong SAR
Tel: 852-2943-5100
Fax: 852-2401-3431

China - Nanjing
Tel: 86-25-8473-2460
Fax: 86-25-8473-2470

China - Qingdao
Tel: 86-532-8502-7355
Fax: 86-532-8502-7205

China - Shanghai
Tel: 86-21-5407-5533
Fax: 86-21-5407-5066

China - Shenyang
Tel: 86-24-2334-2829
Fax: 86-24-2334-2393

China - Shenzhen
Tel: 86-755-8864-2200
Fax: 86-755-8203-1760

China - Wuhan
Tel: 86-27-5980-5300
Fax: 86-27-5980-5118

China - Xian
Tel: 86-29-8833-7252
Fax: 86-29-8833-7256

China - Xiamen
Tel: 86-592-2388138
Fax: 86-592-2388130

China - Zhuhai
Tel: 86-756-3210040
Fax: 86-756-3210049

ASIA/PACIFIC

India - Bangalore
Tel: 91-80-3090-4444
Fax: 91-80-3090-4123

India - New Delhi
Tel: 91-11-4160-8631
Fax: 91-11-4160-8632

India - Pune
Tel: 91-20-3019-1500

Japan - Osaka
Tel: 81-6-6152-7160
Fax: 81-6-6152-9310

Japan - Tokyo
Tel: 81-3-6880-3770
Fax: 81-3-6880-3771

Korea - Daegu
Tel: 82-53-744-4301
Fax: 82-53-744-4302

Korea - Seoul
Tel: 82-2-554-7200
Fax: 82-2-558-5932 or
82-2-558-5934

Malaysia - Kuala Lumpur
Tel: 60-3-6201-9857
Fax: 60-3-6201-9859

Malaysia - Penang
Tel: 60-4-227-8870
Fax: 60-4-227-4068

Philippines - Manila
Tel: 63-2-634-9065
Fax: 63-2-634-9069

Singapore
Tel: 65-6334-8870
Fax: 65-6334-8850

Taiwan - Hsin Chu
Tel: 886-3-5778-366
Fax: 886-3-5770-955

Taiwan - Kaohsiung
Tel: 886-7-213-7830

Taiwan - Taipei
Tel: 886-2-2508-8600
Fax: 886-2-2508-0102

Thailand - Bangkok
Tel: 66-2-694-1351
Fax: 66-2-694-1350

EUROPE

Austria - Wels
Tel: 43-7242-2244-39
Fax: 43-7242-2244-393

Denmark - Copenhagen
Tel: 45-4450-2828
Fax: 45-4485-2829

France - Paris
Tel: 33-1-69-53-63-20
Fax: 33-1-69-30-90-79

Germany - Dusseldorf
Tel: 49-2129-3766400

Germany - Munich
Tel: 49-89-627-144-0
Fax: 49-89-627-144-44

Germany - Pforzheim
Tel: 49-7231-424750

Italy - Milan
Tel: 39-0331-742611
Fax: 39-0331-466781

Italy - Venice
Tel: 39-049-7625286

Netherlands - Druen
Tel: 31-416-690399
Fax: 31-416-690340

Poland - Warsaw
Tel: 48-22-3325737

Spain - Madrid
Tel: 34-91-708-08-90
Fax: 34-91-708-08-91

Sweden - Stockholm
Tel: 46-8-5090-4654

UK - Wokingham
Tel: 44-118-921-5800
Fax: 44-118-921-5820

10/28/13