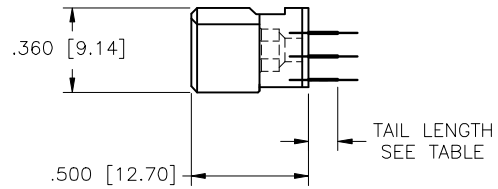
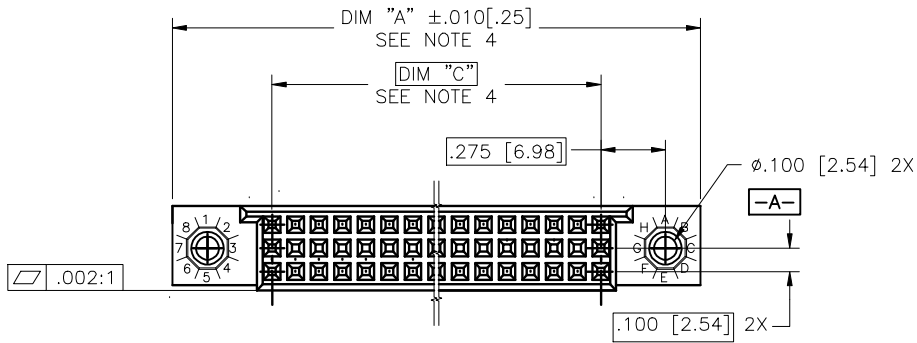
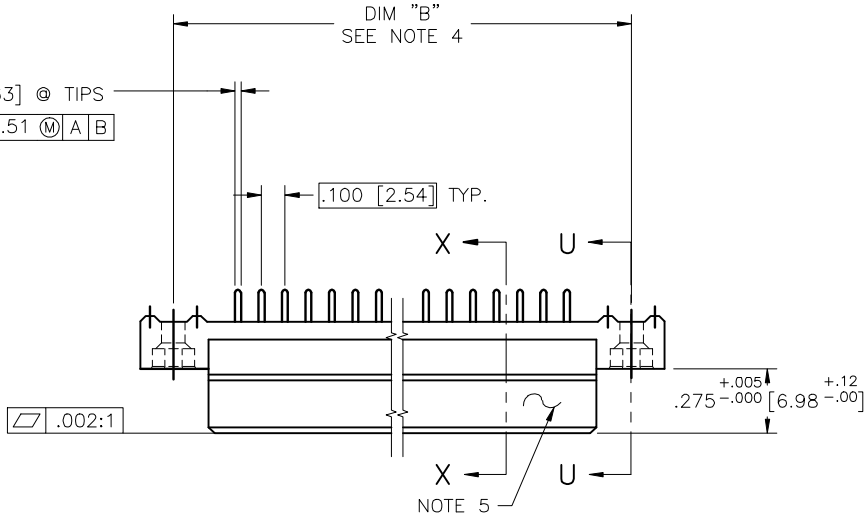


PRODUCT NUMBER  
SEE TABLE



mat'l. code				surface	tolerance	projection	product family
NOTE 3				ISO 1302	ISO 406 ISO 1101	ISO 1502	HPC
ltr	ecn no	dr	date	tolerances unless otherwise specified			title
G	V40716	PDP	4/05/94	angles	linear	INCH/MM	3 ROW VERTICAL RECEPTACLE SOLDER TO BOARD, 0 GUIDE PIN
H	V41216	MDF	9/08/94		.XX±.01/XX±0.3	scale 1:1	
J	V90140	HTB	2/16/99	σ±2	.XXX±.006/XX±0.13		
K	V00258	JWS	1/21/00	dr	.XXX±.0020/XXX±0.051		
L	V05-0744	DAI	10/15/05	engr	S. CLARK	8/08/91	dwg no
M	M06-0255	AEA	7/07/06	chr	S. CLARK	8/14/91	50332
N	M08-0308	MHT	10/22/08	appd	S. CLARK	8/14/91	sheet 1 of 3 size
sheet	revision	N	N	N			A3
index	sheet	1	2	3			type Product Customer Drawing

FCJ  
FCconnect.com

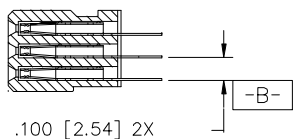
Copyright FCJ

PRODUCT NUMBER  
SEE TABLE

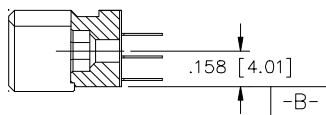
NOTES:

① PRODUCT NUMBERING CODE:  
50332 - X YYY Z LF  
LEAD FREE (OPTIONAL)  
TAIL LENGTH SEE TABLE  
NO. OF POSITIONS SEE NOTE 2  
PLATING SEE TABLE  
BASE NUMBER

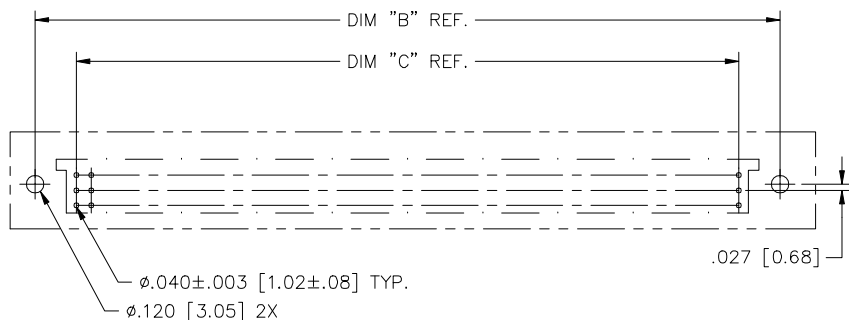
PRODUCT NUMBERING CODE FOR  
SELECT LOAD PART NUMBERS:  
50332 - XYYYY LF  
LEAD FREE (OPTIONAL)  
SEQUENCE NUMBER  
ALWAYS 'XX'  
BASE NUMBER



SECTION X-X



SECTION U-U



RECOMMENDED PCB LAYOUT  
(ALL HOLES LOCATED ON .100/2.54 GRID  
UNLESS OTHERWISE SPECIFIED)

- ② THIS PRODUCT IS CONFIGURED IN SIZES OF 10 THRU 80 COLUMNS IN INCREMENTS OF ONE. i.e.: 10,11,12,13,.....79,80.
- ③ HOUSING MATERIAL: GLASS AND MINERAL FILLED HIGH TEMP. THERMOPLASTIC. FLAME RETARDANT PER UL94V-0. COLOR: BLACK. CONTACT MATERIAL: BeCu
- ④ LENGTH FORMULAS  
DIM A =  $.100/2.54 \times \text{NO. OF COLUMNS} + .75/19.1$   
DIM B =  $.100/2.54 \times \text{NO. OF COLUMNS} + .45/11.4$   
DIM C =  $.100/2.54 \times \text{NO. OF COLUMNS} - .10/2.5$
- ⑤ MANUFACTURE'S NAME, P/N AND LOT CODE TO APPEAR ON THIS SURFACE AS PER BUS-12-108.
6. THIS PRODUCT (WITH "LF" SUFFIX) MEETS EUROPEAN UNION DIRECTIVES AND OTHER COUNTRY REGULATIONS AS DESCRIBED IN GS-22-008.
7. THIS HOUSING WILL WITHSTAND EXPOSURE TO 260° C PEAK TEMPERATURE FOR 10-30 SECONDS IN A CONVECTION INFRA-RED OR VAPOR PHASE REFLOW OVEN.
- ⑧ PLATING OPTIONS:  
MAYBE EITHER GOLD OR GXT PLATED AT MANUFACTURER CHOICE

mat'l. code		surface		tolerance	projection	product family	
-		ISO 1902		ISO 406 ISO 1101		HPC	
ltr	ec'n no	dr	date	tolerances unless otherwise specified		title	
N				angles	$.XX \pm .01 / .XX \pm 0.3$	3 ROW VERTICAL RECEPTACLE	
				linear	$.XXX \pm .005 / .XXX \pm 0.13$	SOLDER TO BOARD, 0 GUIDE PIN	
				$0 \pm .2$	$.XXX \pm .0020 / .XXX \pm 0.051$	scale	1:1
		dr	S. ROYER 8/08/91			dwg no	
		enr	S. CLARK 8/14/91			sheet 2 of 3	
		chr	S. CLARK 8/14/91			size	
		appd	S. CLARK 8/14/91			A3	
sheet		revision				type	
index		sheet				Product Customer Drawing	

PRODUCT NUMBER	NUMBER OF POSITIONS SEE NOTE 2	TAIL LENGTH	CONTACT PLATING NOTE 8
50332-1YYYE	YYY	.125±.010/3.18±0.25	30u"/.76u Au OR GXT
50332-1YYYF	YYY	.145±.010/3.68±0.25	30u"/.76u Au OR GXT
50332-1YYYH	YYY	.180±.010/4.57±0.25	30u"/.76u Au OR GXT
50332-3YYYE	YYY	.125±.010/3.18±0.25	50u"/1.25u Au OR GXT
50332-3YYYF	YYY	.145±.010/3.68±0.25	50u"/1.25u Au OR GXT
50332-3YYYH	YYY	.180±.010/4.57±0.25	50u"/1.25u Au OR GXT
50332-5YYYE	YYY	.125±.010/3.18±0.25	30u"/.76u Au OR GXT
50332-5YYYELF	YYY	.125±.010/3.18±0.25	30u"/.76u Au OR GXT
50332-5YYYF	YYY	.145±.010/3.68±0.25	30u"/.76u Au OR GXT
50332-5YYYFLF	YYY	.145±.010/3.68±0.25	30u"/.76u Au OR GXT
50332-5YYYH	YYY	.180±.010/4.57±0.25	30u"/.76u Au OR GXT
50332-5YYYHLF	YYY	.180±.010/4.57±0.25	30u"/.76u Au OR GXT



FCJconnect.com

Copyright FCJ

mat'l. code		surface		tolerance		projection		product family	
-		ISO 1302		ISO 406				HPC	
N		ecn no		dr		date		title	
								3 ROW VERTICAL RECEPTACLE	
								SOLDER TO BOARD, 0 GUIDE PIN	
								scale 1:1	
								dwg no	
								sheet 3 of 3	
								size	
								A3	
								type	
								Product Customer Drawing	
sheet		revision							
index		sheet							

form: A3