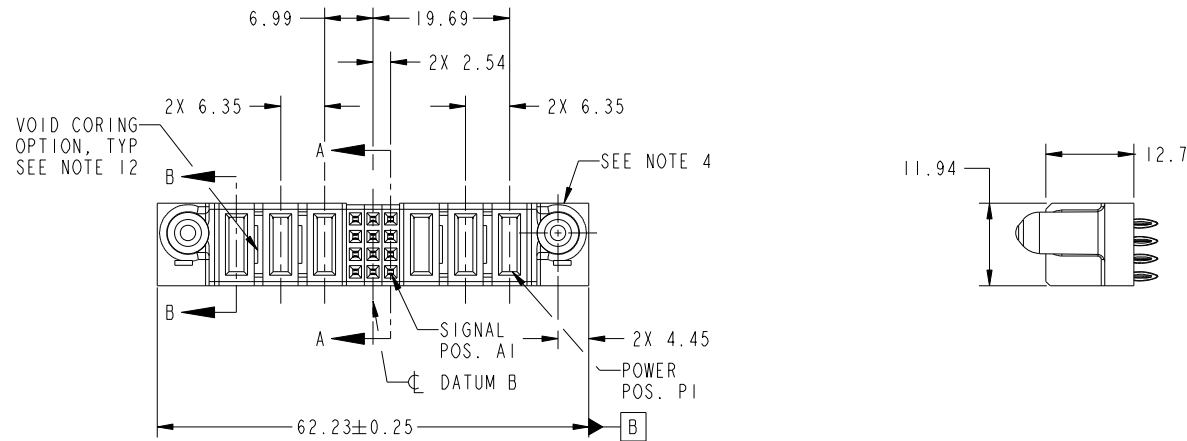


Tous droits strictement réservés. Reproduction ou communication a des tiers interdite sous quelque forme que ce soit sans autorisation écrite du propriétaire. Propriété de c FCI. Droits de reproduction FCI.



All rights strictly reserved. Reproduction or issue to third parties in any form whatever is not permitted without written authority from the proprietor. Property of FCI. Copyright FCI.

PRODUCT NO.	ROWS	POWER			SIGNAL			POWER				
		E2	P6	P5	P4	3	2	1	P3	P2	P1	E1
51750-108-- NOTE: 3	D C B A		PF	PF	PC	FFF	FFF	FFF	PC	PF	PF	



CODE	DIM "M" MATING LENGTH	CONTACT TYPE
PF	[2.34]	POWER
PC	[1.07]	POWER
F	[N/A]	SIGNAL

mat'l code				SEE NOTES		tolerances unless otherwise specified		CUSTOMER		FCI	
ltr	ecn no.	dr	date	linear	0.X ± 0.5	projection	COPY		www.fciconnect.com		
A	DG10-0395	WL	11/13/10	angles	0.XX ± 0.25		title		3P + 12S + 3P VERTICAL PF RECEPT		
				dr	0.XXX ± 0.1		product family		PwrBlade	code	
				enrg	0° ± 2°	scale	size		A	dwg no	213
				chr	WL ZHANG 8/16/10	1:1	product family		51750-108		sheet
				appd	WL ZHANG 8/16/10		size		A		1 of 4
					JOSEPH HSIA 8/16/10		cage code		22526		4

1 | 2

Pro/E

3 |

cage code 22526

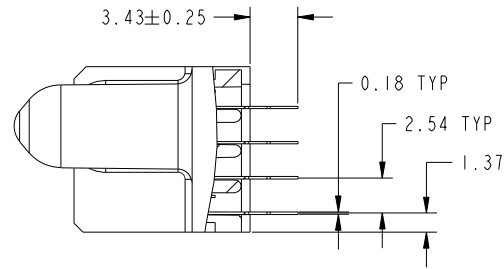
4

Tous droits strictement reserves. Reproduction ou communication a des tiers interdite sous quelque forme que ce soit sans autorisation écrite du propriétaire. Propriete de c FCI. Droits de reproduction FCI.

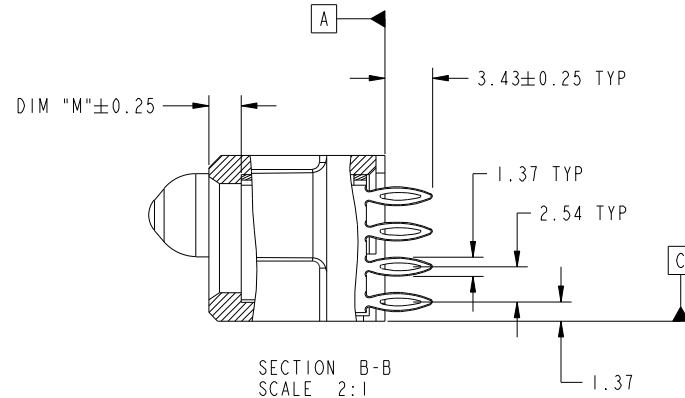
All rights strictly reserved. Reproduction or issue to third parties in any form whatever is not permitted without written authority from the proprietor. Property of FCI. Copyright FCI.



PRODUCT NUMBER
51750-108--
NOTE: 3



SECTION A-A
SCALE 2:1



SECTION B-B
SCALE 2:1

mat'l code				tolerances unless otherwise specified		CUSTOMER		FCI	
ltr	ecr no.	dr	date	linear	0.X ±0.5	COPY		www.fciconnect.com	
A					0.XX ±0.25	projection		title	
				angles	0.XXX ±0.1			3P + 12S + 3P VERTICAL PF RECEPT	
				dr	0° ±2°			product family PwrBlade code	
				enr	WL ZHANG 8/16/10	scale		size	
				chr	WL ZHANG 8/16/10	1:1		dwg no	
				appd	PM ZHENG 8/16/10			51750-108	
					JOSEPH HSIA 8/16/10			sheet	
sheet index		revision sheet						2 of 4	

cage code 22526

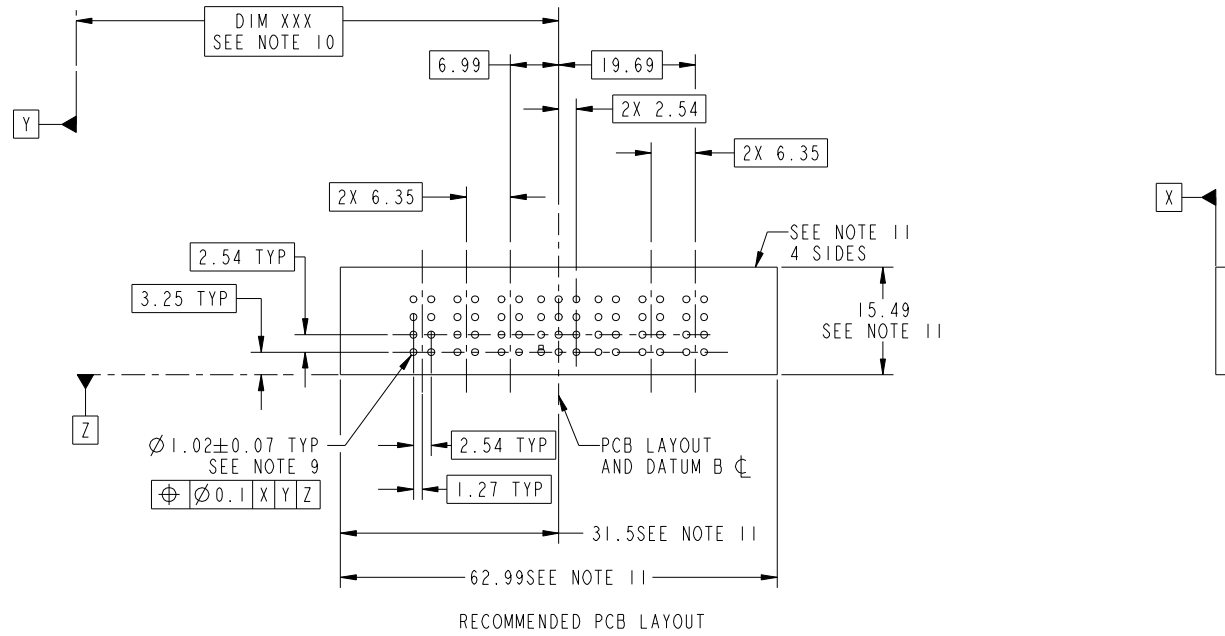
Pro/E

Tous droits strictement reserves. Reproduction ou communication a des tiers interdite sous quelque forme que ce soit sans autorisation écrite du propriétaire. Propriete de c FCI. Droits de reproduction FCI.



All rights strictly reserved. Reproduction or issue to third parties in any form whatever is not permitted without written authority from the proprietor. Property of FCI. Copyright FCI.

PRODUCT NUMBER
51750-108--
NOTE: 3



RECOMMENDED PCB LAYOUT

mat'l code				tolerances unless otherwise specified		CUSTOMER		FCI	
ltr	ecn no.	dr	date	linear	0.X ± 0.5	COPY		www.fciconnect.com	
A					0.XX ± 0.25	projection		title	
				angles	0.XXX ± 0.1			3P + 12S + 3P VERTICAL PF RECEPT	
				dr	0° ± 2°			product family PwrBlade code	
				enr	WL ZHANG 8/16/10	scale		size dwg no	
				chr	WL ZHANG 8/16/10	1:1		A 51750-108	
				appd	PM ZHENG 8/16/10			213	
					JOSEPH HSIA 8/16/10			sheet	
sheet index		revision sheet						3 of 4	

cage code 22526

Pro/E

Tous droits strictement reserves. Reproduction ou communication a des tiers interdite sous quelque forme que ce soit sans autorisation écrite du propriétaire. Propriete de c FCI. Droits de reproduction FCI.

All rights strictly reserved. Reproduction or issue to third parties in any form whatever is not permitted without written authority from the proprietor. Property of FCI. Copyright FCI.

PRODUCT NUMBER
51750-108_-
NOTE: 3

NOTES:

1. DIMENSIONS AND TOLERANCES ARE IN ACCORDANCE WITH ASME Y14.5M, 1994 UNLESS OTHERWISE SPECIFIED.

CONNECTOR NOTES:

- 2 HOUSING MATERIAL: UL 94 V-0 GLASS FILLED HIGH-TEMP THERMOPLASTIC
POWER CONTACT MATERIAL: COPPER ALLOY
SIGNAL PIN MATERIAL: COPPER ALLOY
 - 3. PLATING SPEC.
SEE ITEM 7 & 8 IN PRINT 10064183 FOR PLATING SPEC. OF 51750-108, 51750-108LF RESPECTIVELY.
 - 4 MANUFACTURER'S NAME, DATE CODE AND OPTIONAL P/N TO APPEAR ON THIS SURFACE. THE P/N CAN BE OMITTED IF THERE IS NOT ENOUGH SPACE ON THIS SURFACE.
 - 5. PRODUCT SPECIFICATION GS-12-149.
APPLICATION SPECIFICATION BUS-20-067.
 - 6. PACKAGED IN TRAYS.
- PCB NOTES:
- 7. ALL HOLE DIAMETERS ARE FINISHED HOLE SIZE.
 - 8 MOUNTING HOLES, WHERE APPLICABLE, ARE UNPLATED.
 - 9 $\varnothing 1.151 \pm 0.025$ DRILLED HOLES PLATED WITH 0.008 MIN SnPb OR Sn OVER 0.03 TO 0.08 Cu PLATING TO ACHIEVE $\varnothing 1.02 \pm 0.07$ HOLE.
 - 10 "DIM XXX" TO BE DETERMINED BY THE CUSTOMER.
 - 11 CONNECTOR KEEP-OUT ZONE.
12. THE VOID CORING IN BETWEEN POWER MODULES, SIGNAL MODULES AND END MODULES ARE OPTIONAL AND THE SHAPE MAY BE DIFFERENT FOR OPTIMIZE THE MOLDING PROCESS. THE VOID CORING WILL NOT EFFECT TO PRODUCT FUNCTION.

mat'l code				tolerances unless otherwise specified		CUSTOMER		FCI		www.fciconnect.com	
ltr	ecr no.	dr	date	linear	0.X ± 0.5		COPY		projection	title	
A					0.XX ± 0.25		MIM			3P + 12S + 3P VERTICAL PF RECEPT	
					0.XXX ± 0.1		← MIM →			product family PwrBlade code	
				angles	0° ± 2°		scale		size		213
				dr	WL ZHANG	8/16/10	1:1		A		sheet
				enr	WL ZHANG	8/16/10			51750-108		4 of 4
				chr	PM ZHENG	8/16/10					
				appd	JOSEPH HSIA	8/16/10					
sheet index	revision sheet										

cage code 22526

Pro/E