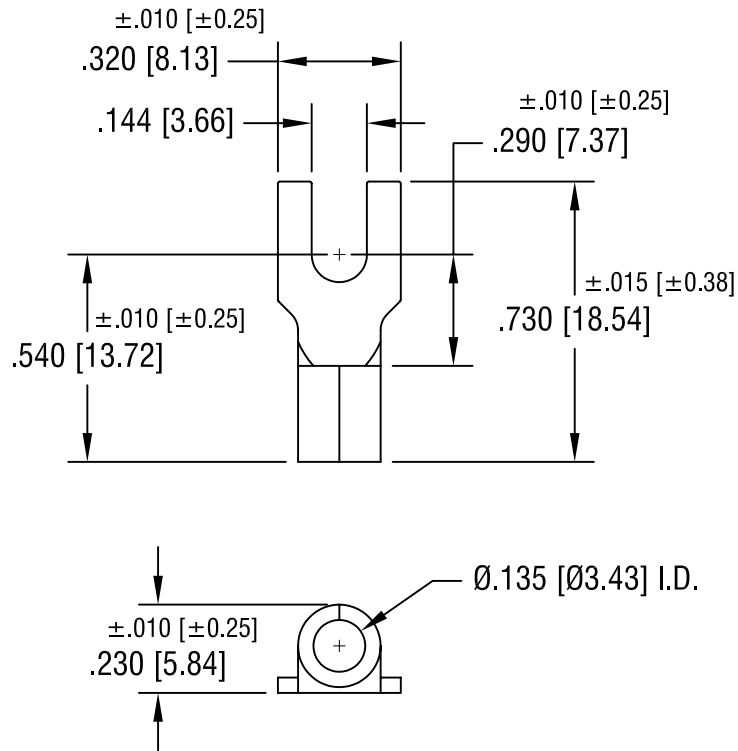


THIS DOCUMENT IS THE PROPERTY OF  
KEYSTONE ELECTRONICS CORP. AND  
SHALL NOT BE REPRODUCED, DISTRIBUTED  
OR USED AS A BASIS FOR MANUFACTURE  
WITHOUT PRIOR WRITTEN PERMISSION  
FROM KEYSTONE ELECTRONICS CORP.



NOTE:

1. ACCOMMODATES WIRE RANGE 12/10 AWG

<b>KEYSTONE ELECTRONICS CORP.</b>			
ASTORIA, N.Y. 11105-2017			
PART NAME		BLOCK SPADE TERMINAL	
MATERIAL		.040 [1.02] TH'K COPPER	
FINISH		DRN BY	DATE
TIN PLATE		BOONE	10.22.07
		APP'D	SCALE
		LN	2X
TOLERANCES	INCH [MM]	CODE	DWG NO.
DECIMAL	$\pm .005$ [ $\pm 0.15$ ]	C/M	<b>8224</b>
ANGULAR	$\pm 1^\circ$	UNLESS OTHERWISE SPECIFIED	

DATE	DESCRIPTION	REV.
------	-------------	------