

PRODUCT NUMBER	PITCH
H4xx70xA00J0G	5.00 mm

Dimension

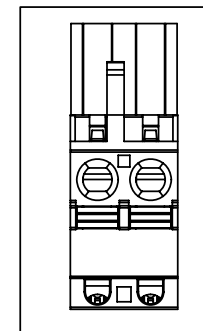
DIM A	$N \times 5.0 \pm 0.10$
DIM B	$(N-1) \times 5.0$

N=Number of poles

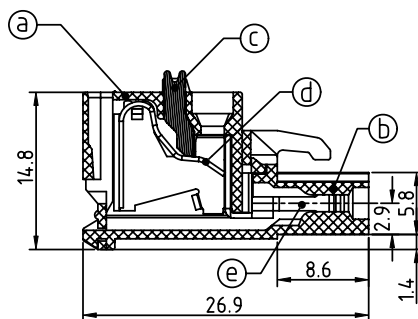
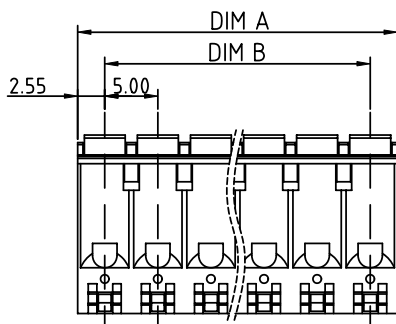
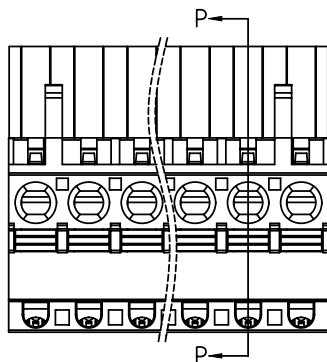
POLES	Tolerance
2p-6p	$\pm 0.15$
7p-12p	$\pm 0.25$
13p-16p	$\pm 0.35$
17p-24p	$\pm 0.40$

PART NO.: H4 xx 7 0 x A 00J0 G

Solid block	0	Black (RAL9005)	RoHS compliant (lead<4%) In copper Alloy
No. of poles	2	Red (RAL3001/D)	
02	2 poles	3	Orange(RAL2011/P)
03	3 poles	4	Yellow(RAL1018/A)
...	...	5	Green(RAL6018/T)
24	24 poles	6	Blue (RAL5015/A)
		8	Grey(RAL7035/D)
		9	White(RAL1102)
		C	Green(RAL6018/U)



2P



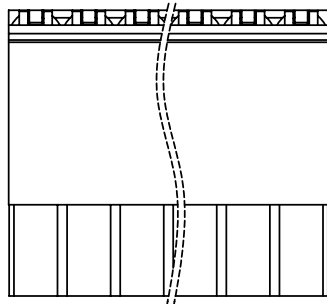
SECTION P-P

Material:

- Item(a) Top body:Thermoplastic ( UL94V-0 )
- Item(b) Bottom body:Thermoplastic ( UL94V-0 )
- Item(c) Terminal lever:Thermoplastic ( UL94V-0 ) Orange (RAL2001/P)
- Item(d) Spring Clamp:Stainless Steel
- Item(e) Female contact:PhBz ( CuSn ) Tin plated

Electrical cULus

- Voltage rating:300V
- Current rating:10A
- Solid wire(AWG):12-26
- Stranded wire(AWG):12-26
- Wire strip length:9-10mm
- Withstanding Voltage:1.6KV
- Operating temperature:-40°C to +115°C
- Safety Approval:



mat'l. code		surface ASME Y14.5 ✓	tolerance ASME Y14.5	projection 	product family TERMINAL BLOCK
ltr ecn no dr date		tolerances unless otherwise specified		MM 	title TERMINAL BLOCK SPRING CLAMP, PLUGGABLE PLUG HOOK ON ENTRY SIDE
		angles $\frac{a}{b}$	X.±0.5		
		X°±1'	X.X±0.3		
			X.XX±0.1		
		dr	EVIN ZHONG	051614	dwg no
		enr	EVIN ZHONG	051614	sheet 1 of 1
		chr	HANKE FENG	051614	H4xx70xA00J0G
		appd	SHI JUN	051614	A4
sheet index		revision sheet	A	1	type CUSTOMER Drawing