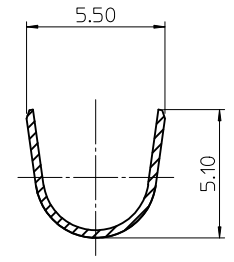
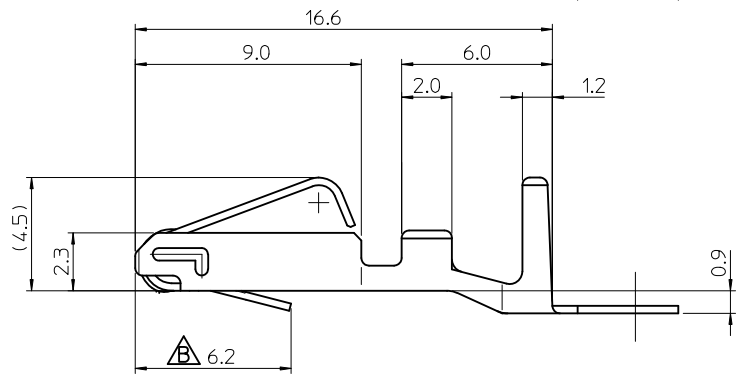


SECTION A-A



SECTION B-B



<NOTES>

- 1. APPLICABLE WIRE SIZE : AVS 0.5~0.85 SQUARE MILIMETER
- 2. APPLICABLE WIRE SEAL PART NO.:35903-0106
- 3. APPLICABLE SOCKET SERIES NO.:35842/35843
- 4. MATERIAL : PHOSPHOR BRONZE, THICKNESS=0.30mm, UNPLATED

<TABLE 1>

MATERIAL NO.	ORDER NO.
354658000	35465-8000
DESIGN UNITS	THIRD ANGLE PROJECTION
METRIC	

EARTH TERMINAL
FOR PT BULB SOCKET



MOLEX INCORPORATED

GENERAL TOLERANCES (UNLESS SPECIFIED)		DIMENSION STYLE		SCALE
		MM ONLY		5:1
	mm	INCH	DRAWN BY	DATE
4 PLACES	± ---	± ---	YSIKKIM	1998/11/26
3 PLACES	± ---	± ---	CHECKED BY	DATE
2 PLACES	± 0.20	± ---	BKCHOI	1998/11/26
1 PLACE	± 0.30	± ---	APPROVED BY	DATE
	ANGULAR ± 1 °		CWLEE	1998/11/26
DRAFT WHERE APPLICABLE MUST REMAIN WITHIN DIMENSIONS		MATERIAL NO.		DOCUMENT NO.
		SEE TABLE 1		SD-35465-001
		SIZE A3		SHEET NO. 1 OF 1

REV	DESCRIPTION
D	REVISION
	EC NO: KOR2011-0006
	DRW:NEOKIM 2010/07/29
	CHKD:BCYOON 2010/07/29
	APPR:YUNSIKKIM 2010/07/29

