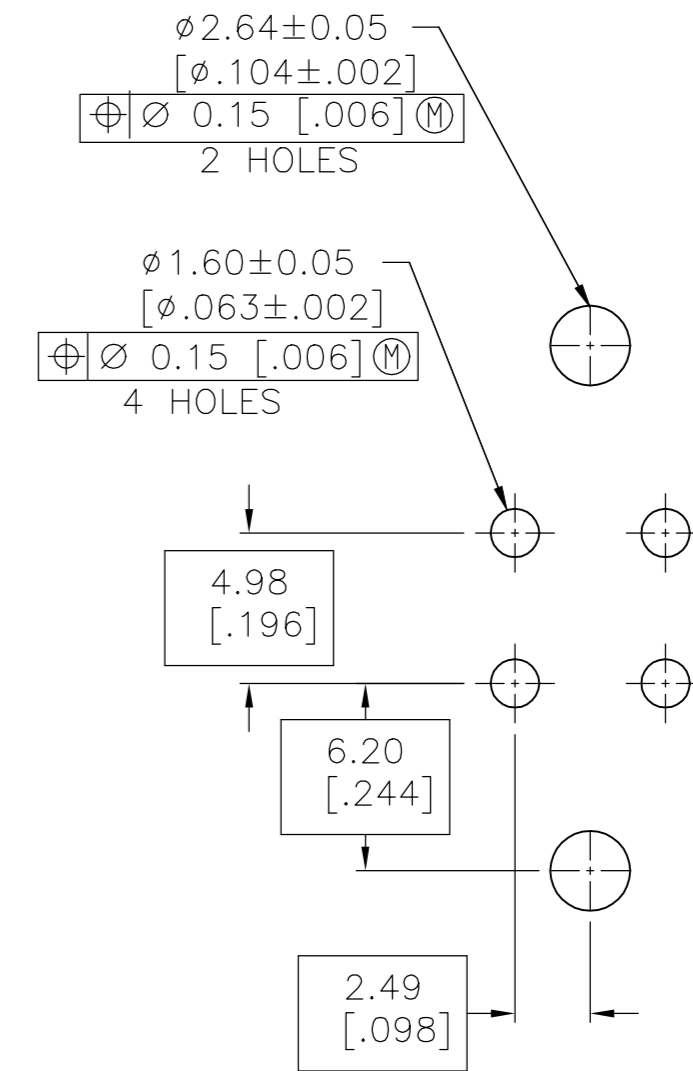
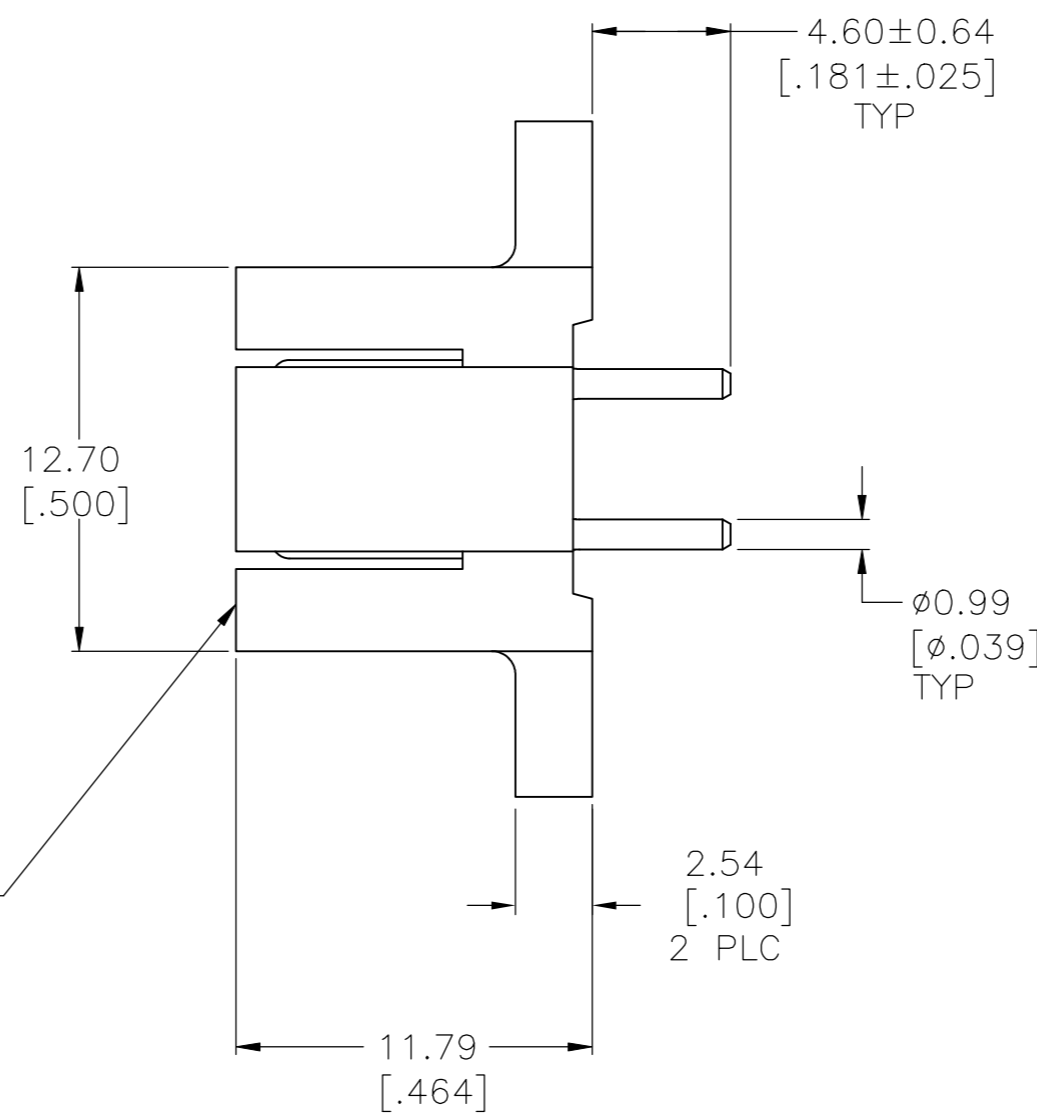
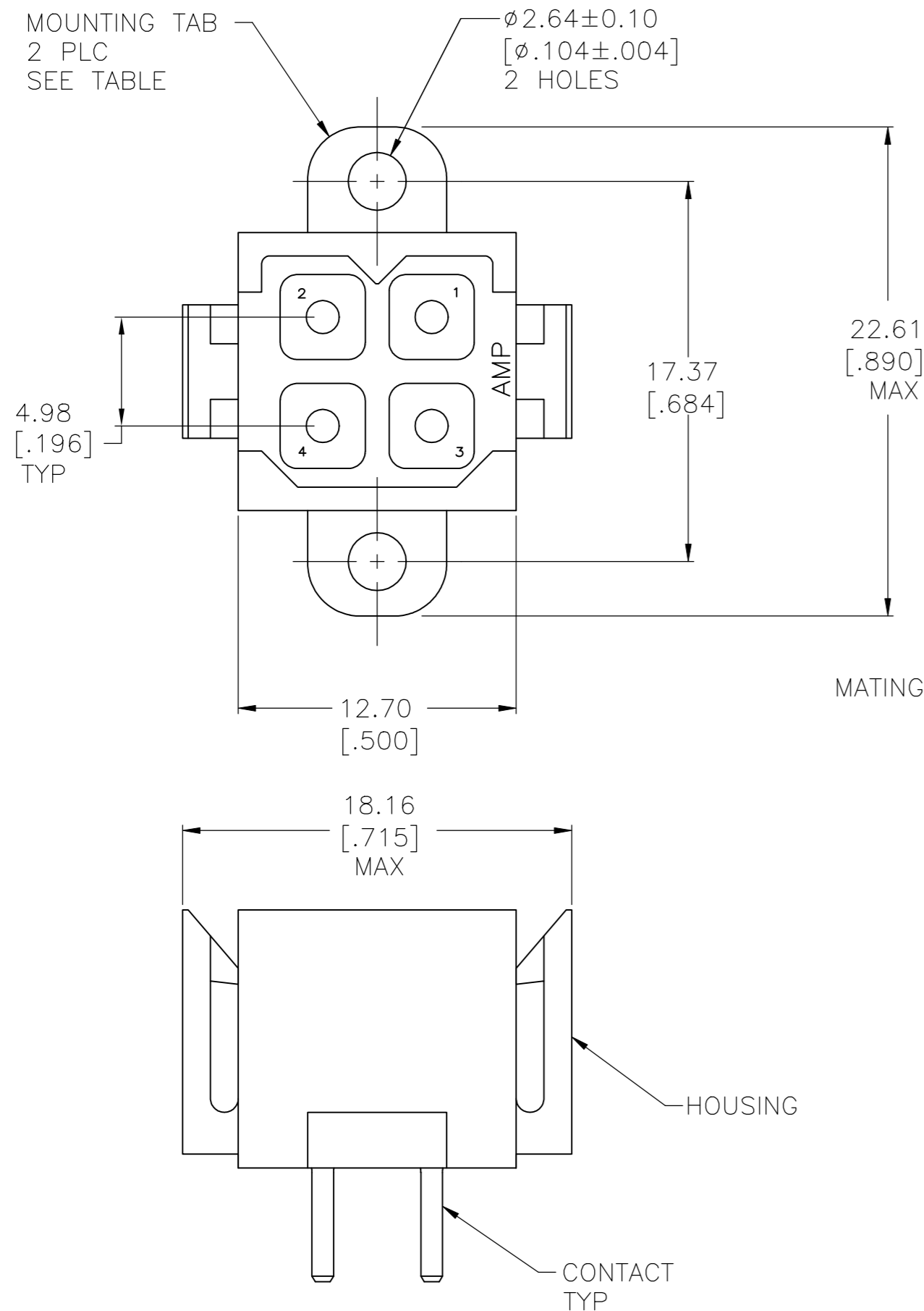


THIS DRAWING IS UNPUBLISHED. RELEASED FOR PUBLICATION
 © COPYRIGHT - By - ALL RIGHTS RESERVED.

REVISIONS					
P	LTR	DESCRIPTION	DATE	DWN	APVD
U		REVISED PER ECO-18-000437	18JAN2018	RS	MZ
V		REVISED PER ECO-18-012313	06AUG2018	RS	MZ



RECOMMENDED PC BOARD LAYOUT

- ① NYLON, UL 94V-0 RATED, RED.
- ② BRASS PER ASTM B36.
- ③ 3.81µm [.000150] MIN TIN OVER 2.54µm [.000100] MIN COPPER.
- ④ 0.76µm [.000030] MIN GOLD FOR A LENGTH OF 5.08 [.200] FROM MATING END, 3.81µm [.000150] MIN TIN FOR A LENGTH OF 4.83 [.190] MIN FROM OPPOSITE END, BOTH OVER 1.27µm [.000050] MIN NICKEL.
- ⑤ CONTACTS SELECT LOADED IN POSITIONS 2, 3 AND 4.
- ⑥ 3.81µm [.000150] MIN TIN OVER 2.54µm [.000100] MIN COPPER.
- ⑦ 0.76µm [.000030] MIN GOLD FOR A LENGTH OF 5.08 [.200] FROM MATING END, 3.81µm [.000150] MIN TIN FOR A LENGTH OF 4.83 [.190] MIN FROM OPPOSITE END, BOTH OVER 1.27µm [.000050] MIN NICKEL.
- ⑧ OBSOLETE PARTS: OBSOLETE CIS STREAMLINING PER D.RENAUD/D.SINISI

⑧/⑤	OBSOLETE	⑥	YES	1-207119-2
	OBSOLETE	⑦	NO	1-207119-1
		⑦	YES	1-207119-0
		⑥	NO	207119-9
		⑥	YES	207119-8
⑧/⑤	OBSOLETE	③	YES	207119-7
		④	NO	207119-4
	OBSOLETE	④	YES	207119-3
	OBSOLETE	③	NO	207119-2
	OBSOLETE	③	YES	207119-1
			CONTACT FINISH	MOUNTING TABS
				PART NUMBER

THIS DRAWING IS A CONTROLLED DOCUMENT.		DWN	03/10/92	STE TE Connectivity	
		L.SIPE	3-17-92		
DIMENSIONS: mm [INCHES]		CHK	R.STONE	NAME	
TOLERANCES UNLESS OTHERWISE SPECIFIED:		APVD	-	PRODUCT SPEC	
0 PLC ± -				APPLICATION SPEC	
1 PLC ± -				108-10033	
2 PLC ± 0.25 [.010]				SIZE	
3 PLC ± -				CAGE CODE	
4 PLC ± -				DRAWING NO	
ANGLES ± -				RESTRICTED TO	
MATERIAL		FINISH		WEIGHT	
HOUSING: 1		CONTACT: SEE TABLE		A2 00779	
				C=207119	
				SCALE	
				4:1	
				SHEET	
				1 of 1	
				REV	
				V	