

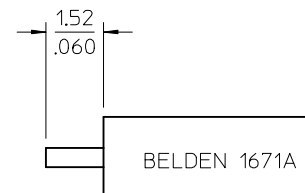
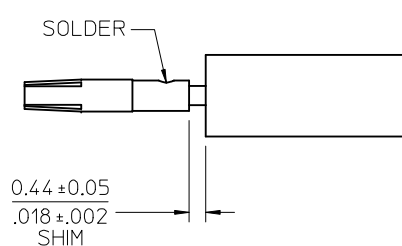
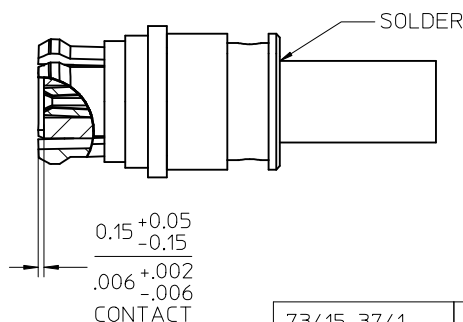
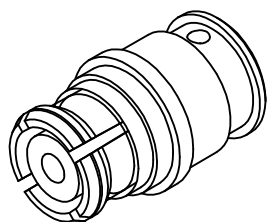
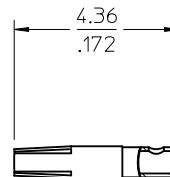
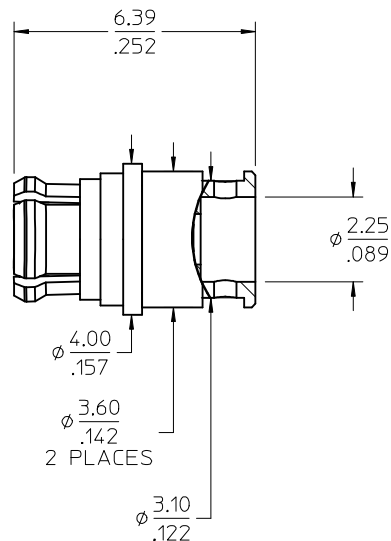
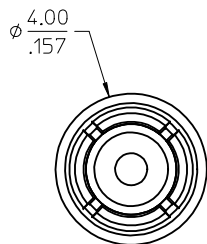
MATERIALS AND FINISHES

BODY: BERYLLIUM COPPER  
PLATED GOLD

CONTACT: BERYLLIUM COPPER  
PLATED GOLD

INSULATOR: TEFLON

EMI RING: BRASS  
PLATED GOLD



PS-89675-3320	ELEC/MECH PERFORMANCE
MIL-STD-348A, FIG. 326.1	INTERFACE
SPECIFICATION	DESCRIPTION

73415-3741	ONE PC 73415-3740 IN BAG
73415-3740	TRAY
PART NO.	PACKAGING
	PACKAGING

CHG: ADDED DIMS 4.00, 3.60, 3.10	EC NO: URF2012-0531	2012/08/27	DRWN: JLEE02	2012/08/27	CHKD: SSS	2012/08/29	APPR: JWIENER	2012/08/29	QUALITY SYMBOLS	GENERAL TOLERANCES (UNLESS SPECIFIED)	DIMENSION STYLE		SCALE	DESIGN UNITS	THIRD ANGLE PROJECTION
									▽=0		mm	INCH	MM/IN	INCH	
A3	REV	DESCRIPTION	DRAWN BY		DATE		TITLE		APPROVED BY	DATE	MATERIAL NO.	DOCUMENT NO.	SHEET NO.		
			AROBERTSON		2010/09/29		SMP JACK, STRAIGHT 086 SIZE CABLES SMP-JC							JWIENER	
DRAFT WHERE APPLICABLE MUST REMAIN WITHIN DIMENSIONS										SEE TABLE		THIS DRAWING CONTAINS INFORMATION THAT IS PROPRIETARY TO MOLEX INCORPORATED AND SHOULD NOT BE USED WITHOUT WRITTEN PERMISSION		1 OF 1	