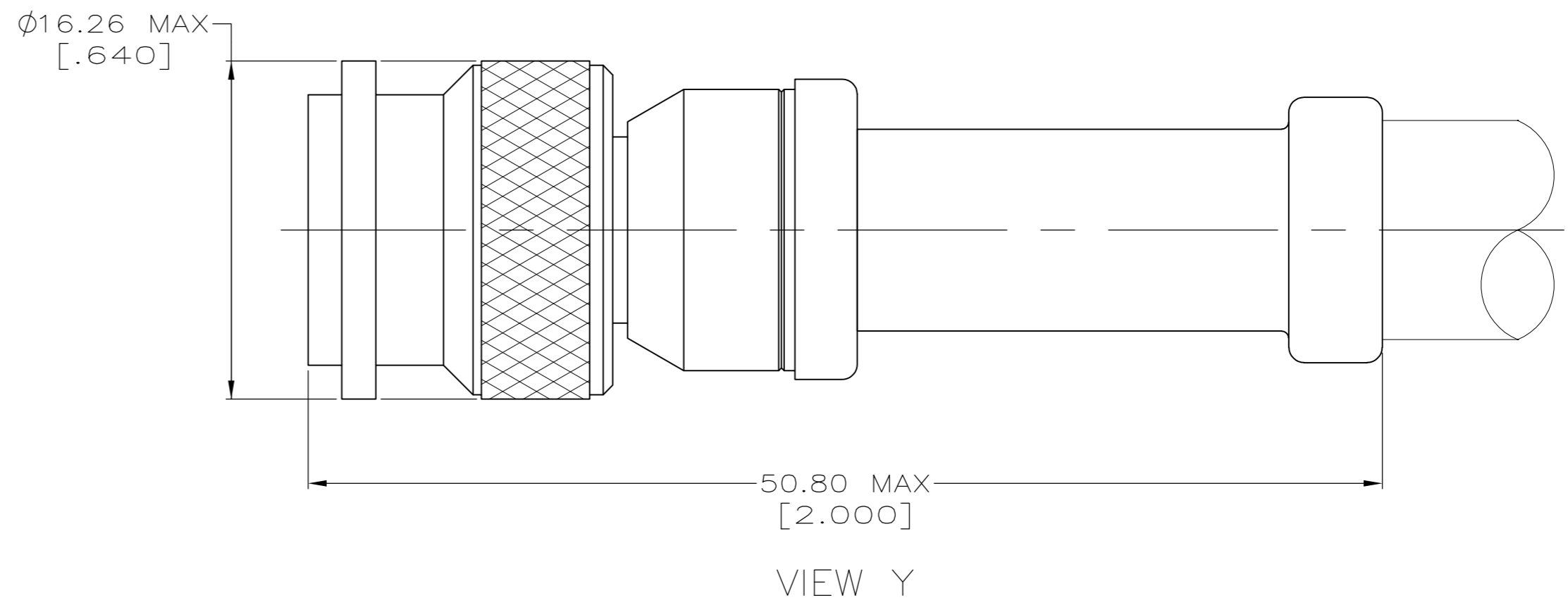
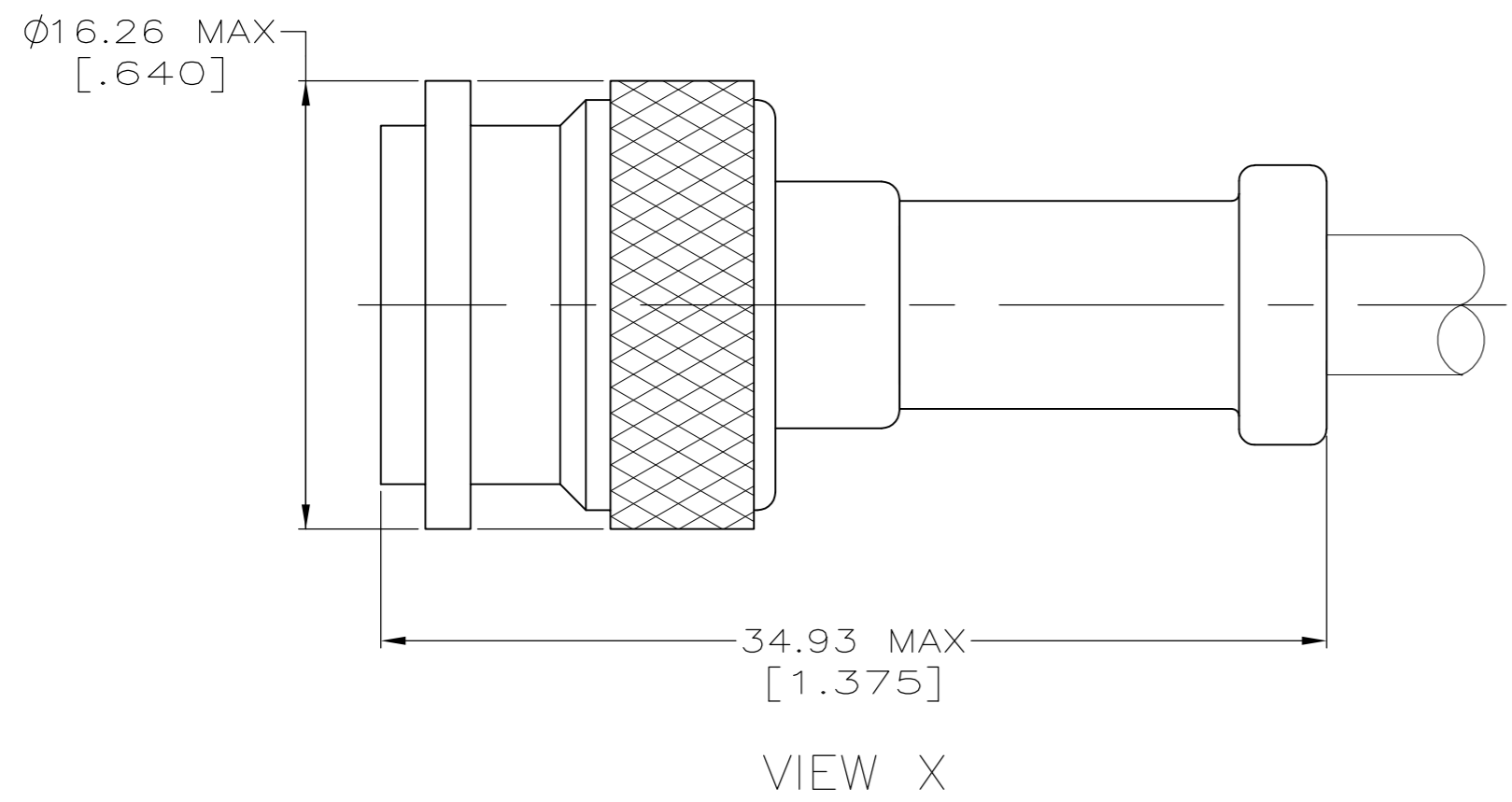
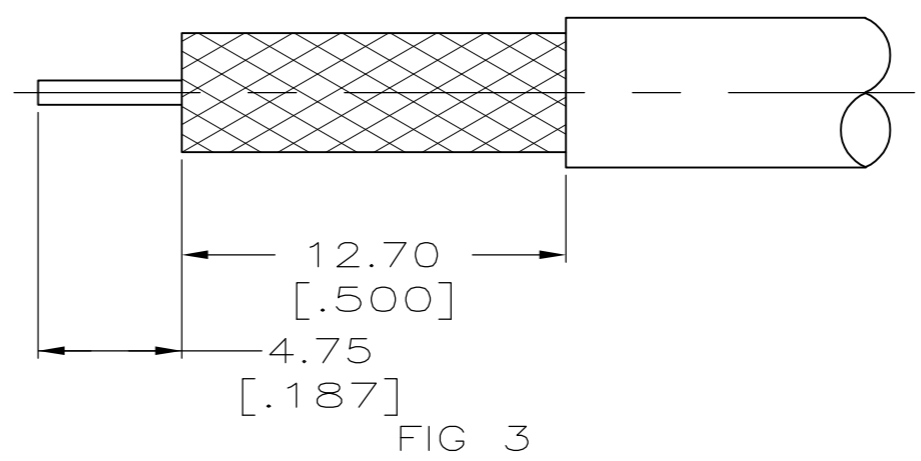
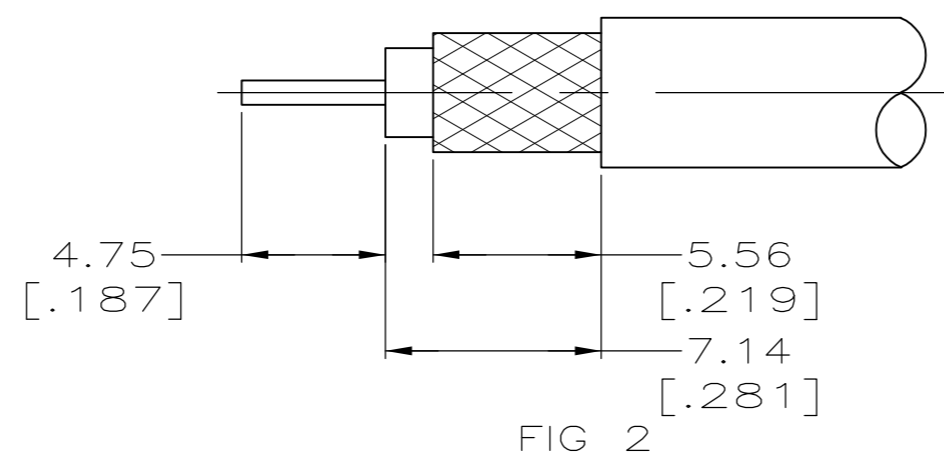
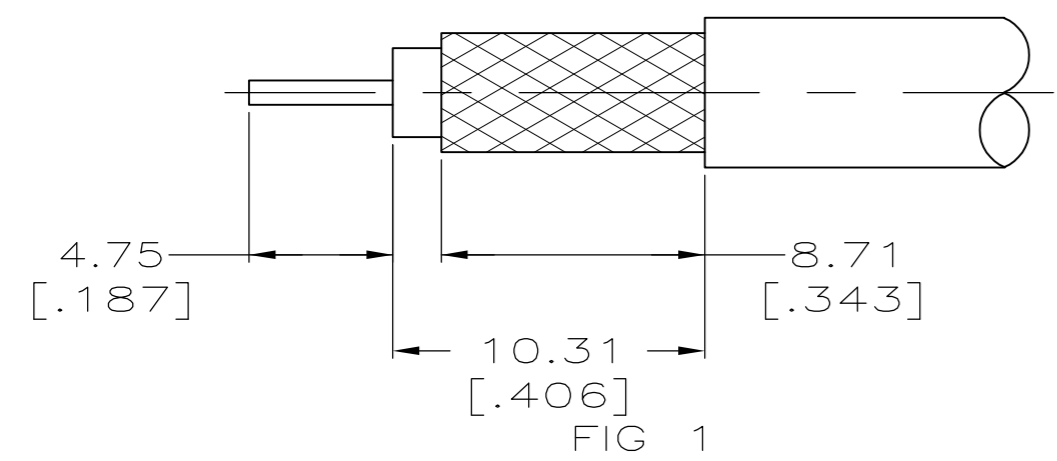


THIS DRAWING IS UNPUBLISHED. RELEASED FOR PUBLICATION
 © COPYRIGHT - By - ALL RIGHTS RESERVED.

| LOC | | DIST | | REVISIONS | | | |
|-----|-----|-------------|---------------------------|-----------|-----|------|--|
| P | LTR | DESCRIPTION | | DATE | DWN | APVD | |
| AJ | 00 | H3 | REVISED PER ECO-11-005030 | 11MAR11 | RK | HMR | |



1. SEE I.S. 2299-1



RECOMMENDED STRIP LENGTH

| | | | | | | | | | |
|----------|---------------------------|---|----------|----------|------------|----------|------------|---|------------|
| OBSOLETE | RG-8/U, 8A/U, 213/U | 3 | 220015-1 | 332022 | 9-331987-0 | 225596-2 | 5-225593-0 | Y | 9-225555-0 |
| OBSOLETE | RG-115A/U | 3 | 220015-1 | 332022 | 9-331987-0 | 225596-2 | 5-225593-1 | Y | 225555-9 |
| OBSOLETE | RG-9/U, 9A/U, 9B/U, 214/U | 3 | 220015-1 | 332022 | 9-331987-1 | 225596-2 | 5-225593-0 | Y | 225555-8 |
| | RG-8/U, 8A/U, 213/U | 3 | 220015-1 | 332022 | 9-331987-0 | 225596-2 | 5-225593-0 | Y | 225555-7 |
| | RG-142/U, 142A/U, 142B/U | 1 | 220045-2 | 225592-2 | 9-225560-0 | 225467-6 | 225457-2 | X | 225555-6 |
| OBSOLETE | RG-141/U, 141A/U | 1 | 220045-2 | 225592-1 | 9-225560-1 | 225467-6 | 225457-2 | X | 225555-5 |
| OBSOLETE | RG-59B/U, 62B/U | 2 | 220045-3 | 225592-3 | 9-225560-2 | 225467-4 | 225457-4 | X | 225555-3 |
| | RG-58A/U, 58C/U | 1 | 220045-2 | 225592-1 | 9-225560-1 | 225467-2 | 225457-2 | X | 225555-2 |

| FOR USE WITH CABLE | FIGURE | CRIMP TOOL | ④ | SEAL QTY=1 | ③ | FERRULE QTY=1 | ② | CONTACT QTY=1 | ① | PLUG ASSEMBLY QTY=1 | VIEW | PART NUMBER |
|--------------------|--------|------------|---|------------|---|---------------|---|---------------|---|---------------------|------|-------------|
|--------------------|--------|------------|---|------------|---|---------------|---|---------------|---|---------------------|------|-------------|

THIS DRAWING IS A CONTROLLED DOCUMENT.

| | | |
|------------------|--------------|---------|
| DWN | M. E. COWHER | 3-9-92 |
| CHK | W. R. GRAY | 3-16-92 |
| APVD | M. PHILLIPS | 3-16-92 |
| PRODUCT SPEC | - | |
| APPLICATION SPEC | - | |
| WEIGHT | - | |
| CUSTOMER DRAWING | - | |

TE TE Connectivity

PLUG, DUAL CRIMP, TNC

| | | | | | | | |
|-------|-----|-----------|--------|------------|----------|---------------|---|
| SIZE | A2 | CAGE CODE | 00779 | DRAWING NO | C=225555 | RESTRICTED TO | - |
| SCALE | 4:1 | SHEET | 1 of 1 | REV | H3 | | |