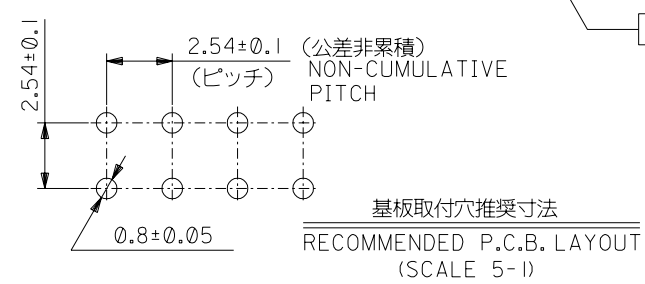
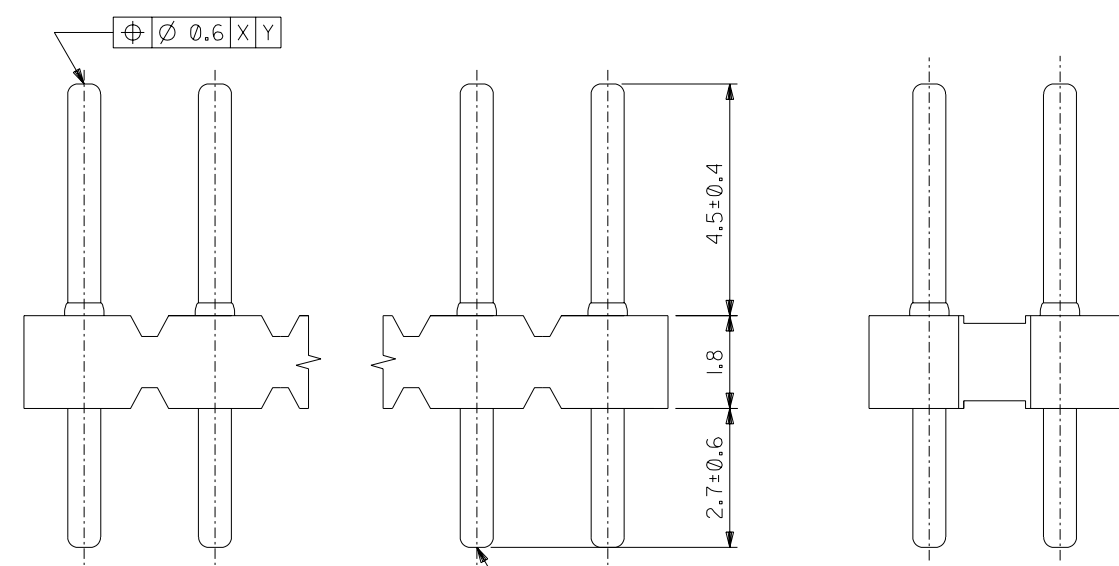
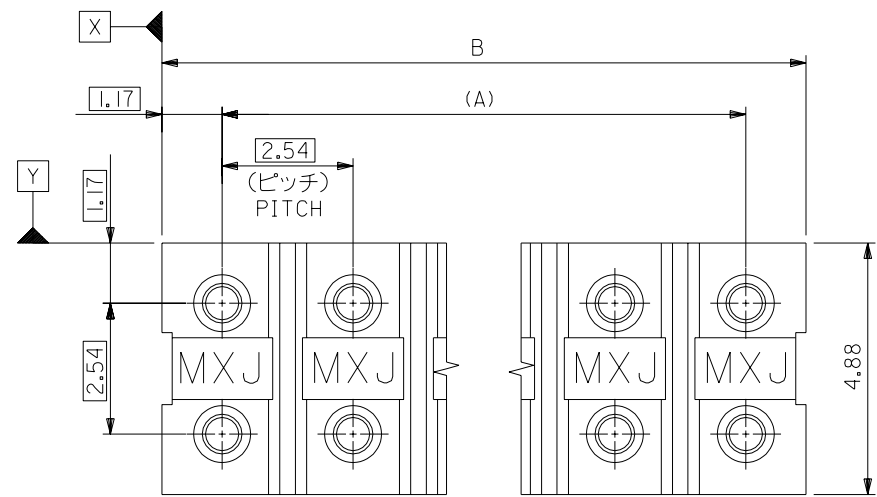


ENG. NO. SD-5547-NA  
EDP NO. #

MM DIMENSIONS IN METRIC DO NOT SCALE DRAWING



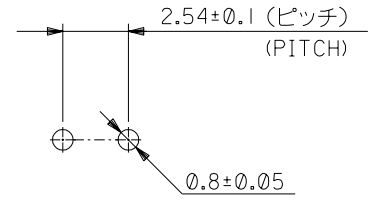
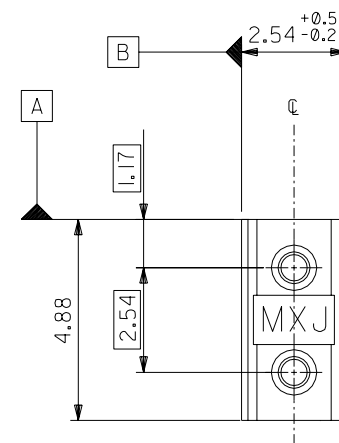
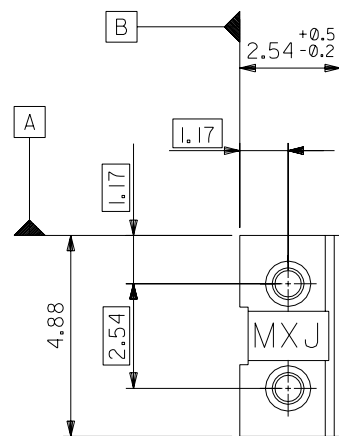
注記:  
NOTES

1. 材料  
MATERIAL  
ピン : 黄銅 Ø0.64  
PIN : BRASS Ø0.64  
ウェハー : ガラス15%入りP.B.T. UL94V-0、黒  
WAFER : P.B.T. G.F.15% UL94V-0, BLACK
2. メッキ仕様  
PLATING  
錫メッキ  
Sn PLATING.
3. 2極は5547-NAを切断加工したものです。  
2 CIRCUITS TO BE MADE BY CUTTING  
5547-NA.

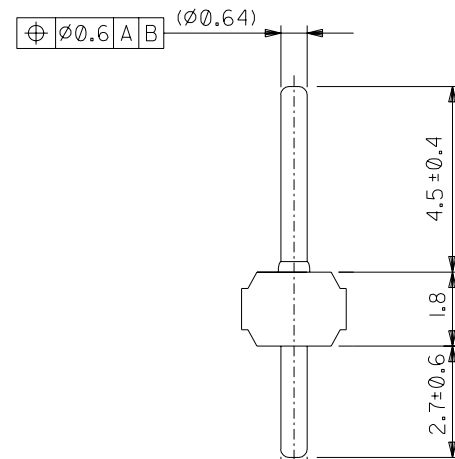
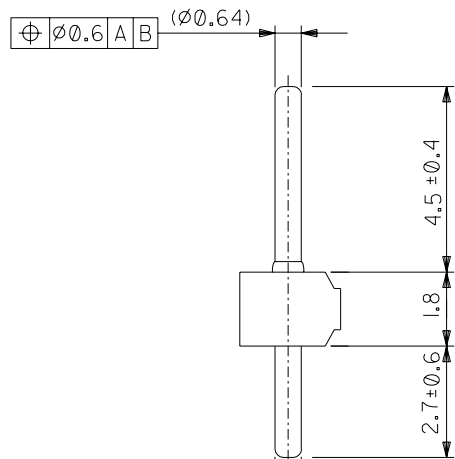
|                                      |       |          |      |
|--------------------------------------|-------|----------|------|
| 42.98                                | 40.64 | 5547-34A | 34   |
| 40.44                                | 38.10 | 5547-32A | 32   |
| 37.90                                | 35.56 | 5547-30A | 30   |
| 35.36                                | 33.02 | 5547-28A | 28   |
| 32.82                                | 30.48 | 5547-26A | 26   |
| 30.28                                | 27.94 | 5547-24A | 24   |
| 27.74                                | 25.40 | 5547-22A | 22   |
| 25.20                                | 22.86 | 5547-20A | 20   |
| 22.66                                | 20.32 | 5547-18A | 18   |
| 20.12                                | 17.78 | 5547-16A | 16   |
| 17.58                                | 15.24 | 5547-14A | 14   |
| 15.04                                | 12.70 | 5547-12A | 12   |
| 12.50                                | 10.16 | 5547-10A | 10   |
| 9.96                                 | 7.62  | 5547-08A | 8    |
| 7.42                                 | 5.08  | 5547-06A | 6    |
| 4.48                                 | 2.54  | 5547-04A | 4    |
| 2.54 <sup>+0.5</sup> <sub>-0.2</sub> | —     | 5547-02A | 2    |
| B                                    | (A)   | ENG. No. | CKT. |

|                                 |                 |                   |                      |   |
|---------------------------------|-----------------|-------------------|----------------------|---|
| 角度 ANGLE                        | ±3°             | 材料 MATERIAL       | 注記参照<br>SEE NOTES    | molex MOLEX-JAPAN CO.,LTD.<br>日本モレックス株式会社 |
| 30以上 OVER                       | +0.3            | 仕上げ FINISH        | 注記参照<br>SEE NOTES    |   |
| 10以上 OVER 30未満 UNDER            | +0.25           | 適用電線範囲 WIRE RANGE | —                    | EDP. NO. #                                |
| 10未満 UNDER                      | +0.2            | 被覆外径 INS. RANGE   | —                    | ENG. NO. (SHEET 1 OF 2) REV B             |
| 一般公差 UNIT:mm GENERAL TOLERANCES | REVISION RECORD | 記号 TR             | 変更内容 REVISION RECORD | DATE                                      |
|                                 | DR. CHK.        | 日付 DATE           | APP'D BY             | 尺度 SCALE 10-1                             |

角 B 再作図 (JD7026) M.S. 96/9/3  
DRAWN BY K. Adachi CHK'D BY H. Sasao  
TITLE 名称 2.54 DUAL ROW MICRO SHUNT WAFER ASS'Y



基板取付穴推奨寸法  
RECOMMENDED P.C.B. LAYOUT  
(SCALE: 5-1)



TYPE I

TYPE II

|                     |  |                    |                                       |
|---------------------|--|--------------------|---------------------------------------|
| 材料 MATERIAL         |  | 注記参照 SEE NOTES     | MOLLEX JAPAN CO., LTD.<br>日本モレックス株式会社 |
| 仕上げ FINISH          |  | 注記参照 SEE NOTES     |                                       |
| 適用電線範囲 WIRE RANGE   |  | —                  | TITLE 名称                              |
| 被覆外径 INS. RANGE     |  | —                  | 2.54 DUAL ROW                         |
| DRAWN BY '96/9/3    |  | CHK'D BY           | MICRO SHUNT WAFER ASS'Y               |
| DRAWN BY: K. Adachi |  | CHK'D BY: H. Saito | DWG. NO. (SHEET 2 OF 2) REV           |
| DATE                |  | SCALE              | SD-5547-NA B                          |
| SCALE 8-1           |  |                    |                                       |

|                   |       |
|-------------------|-------|
| 角度 ANGLE          | ±3°   |
| 30 以上 OVER        | +0.3  |
| 10 以上 30 未満 UNDER | +0.25 |
| 10 未満 UNDER       | +0.2  |

|        |  |          |         |
|--------|--|----------|---------|
| 記号 LTR | 変更内容 REVISION RECORD                       | DR. CHK. | 日付 DATE |
|        | SHEET 1 OF 2 参照 SEE SHEET 1 OF 2 (J070226) | M.S      | '96/9/3 |