

# CNA6P1X7R1H475K250AE

TDK Item Description : CNA6P1X7R1H475KT\*\*\*A



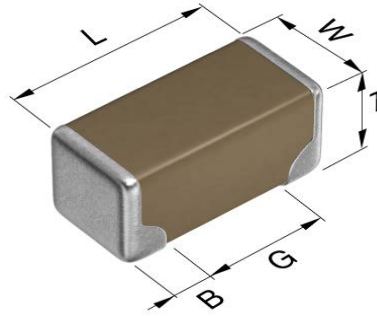
Equivalent CNC6P1X7R1H475K for Automotive

## Application & Main Feature

Automotive Grade (Low Resistance Soft Termination)

## Series

CNA6(3225) [EIA CC1210]



## Dimensions

L	3.20mm +/-0.3mm
W	2.50mm +/-0.2mm
T	2.50mm +/-0.2mm
B	0.50mm Min.
G	

## Temperature Characteristic

X7R (-55 to 125 degC +/-15%)

## Rated Voltage

1H (50Vdc)

## Capacitance

4.7uF

## Capacitance Tolerance

K (+/-10%)

## Dissipation Factor

5% Max.

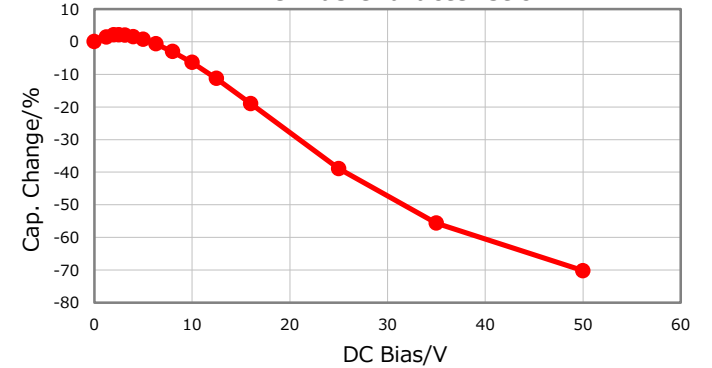
## Insulation Resistance

106Mohm Min.

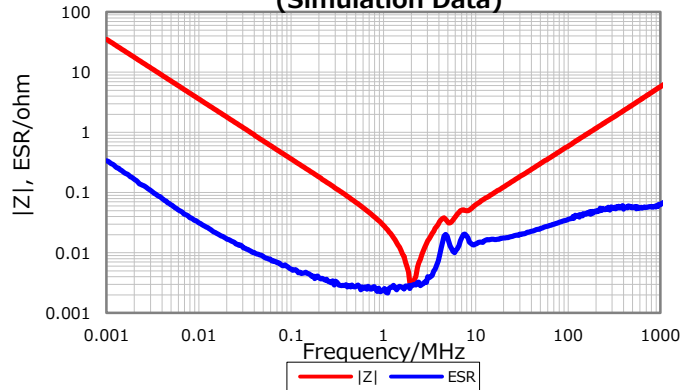
## AEC-Q200

Yes

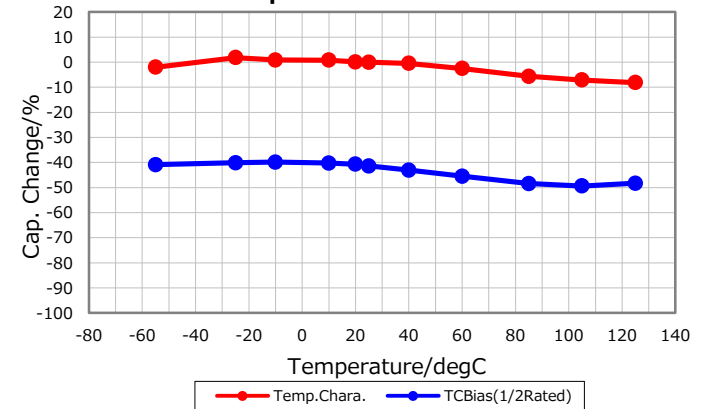
## DC Bias Characteristic



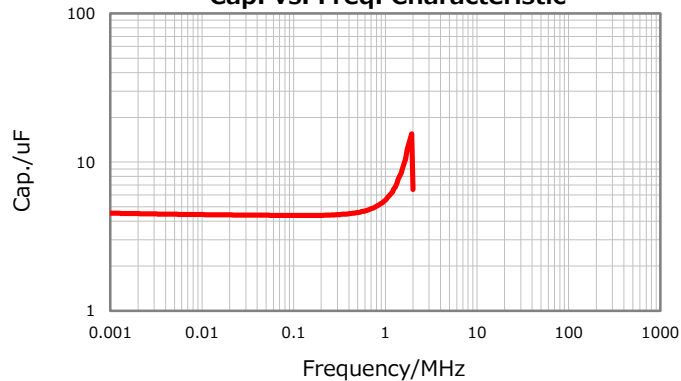
## |Z|, ESR vs. Freq. Characteristics (Simulation Data)



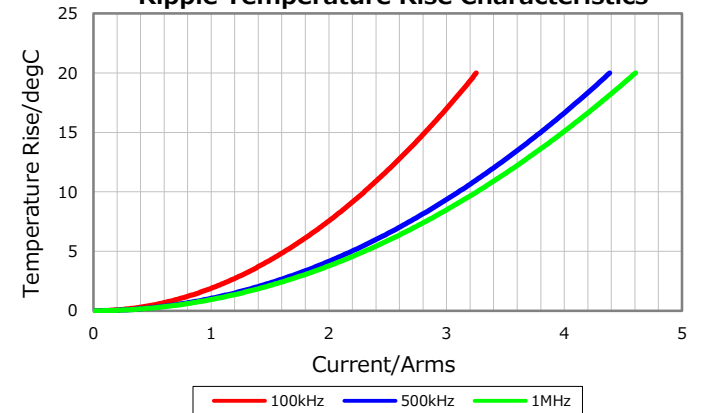
## Temperature Characteristics



## Cap. vs. Freq. Characteristic



## Ripple Temperature Rise Characteristics



Characterization Sheet ( Multilayer Ceramic Chip Capacitors )



All specifications are subject to change without notice.

April 11, 2018